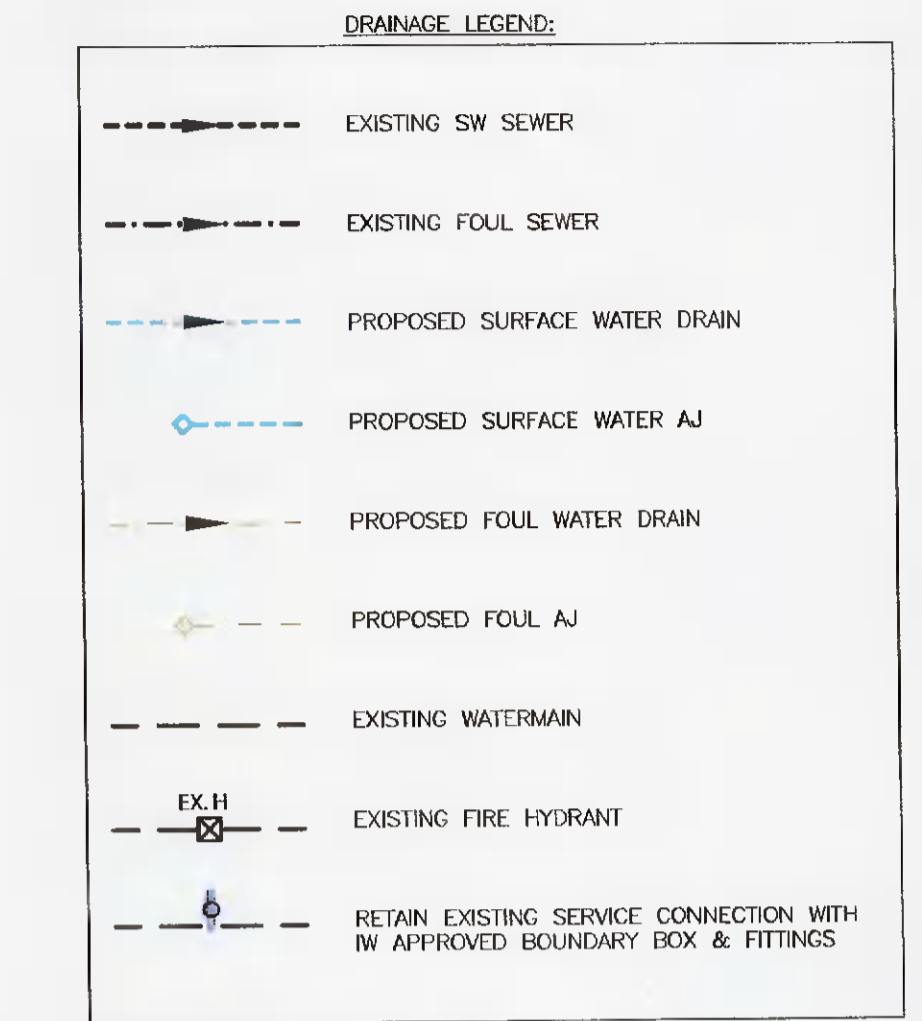
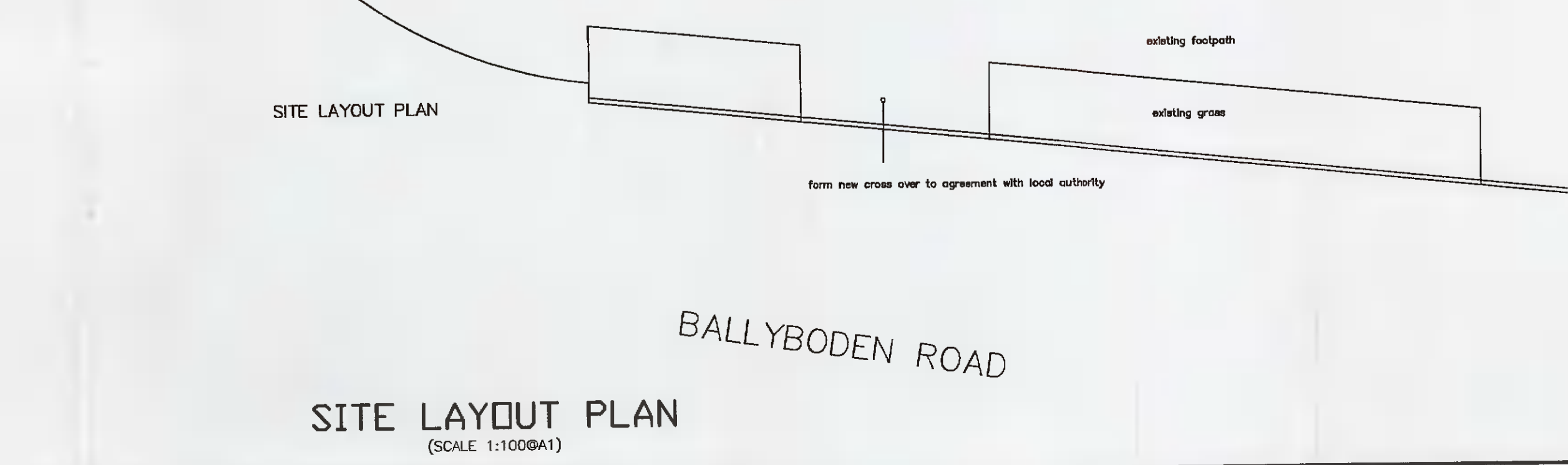
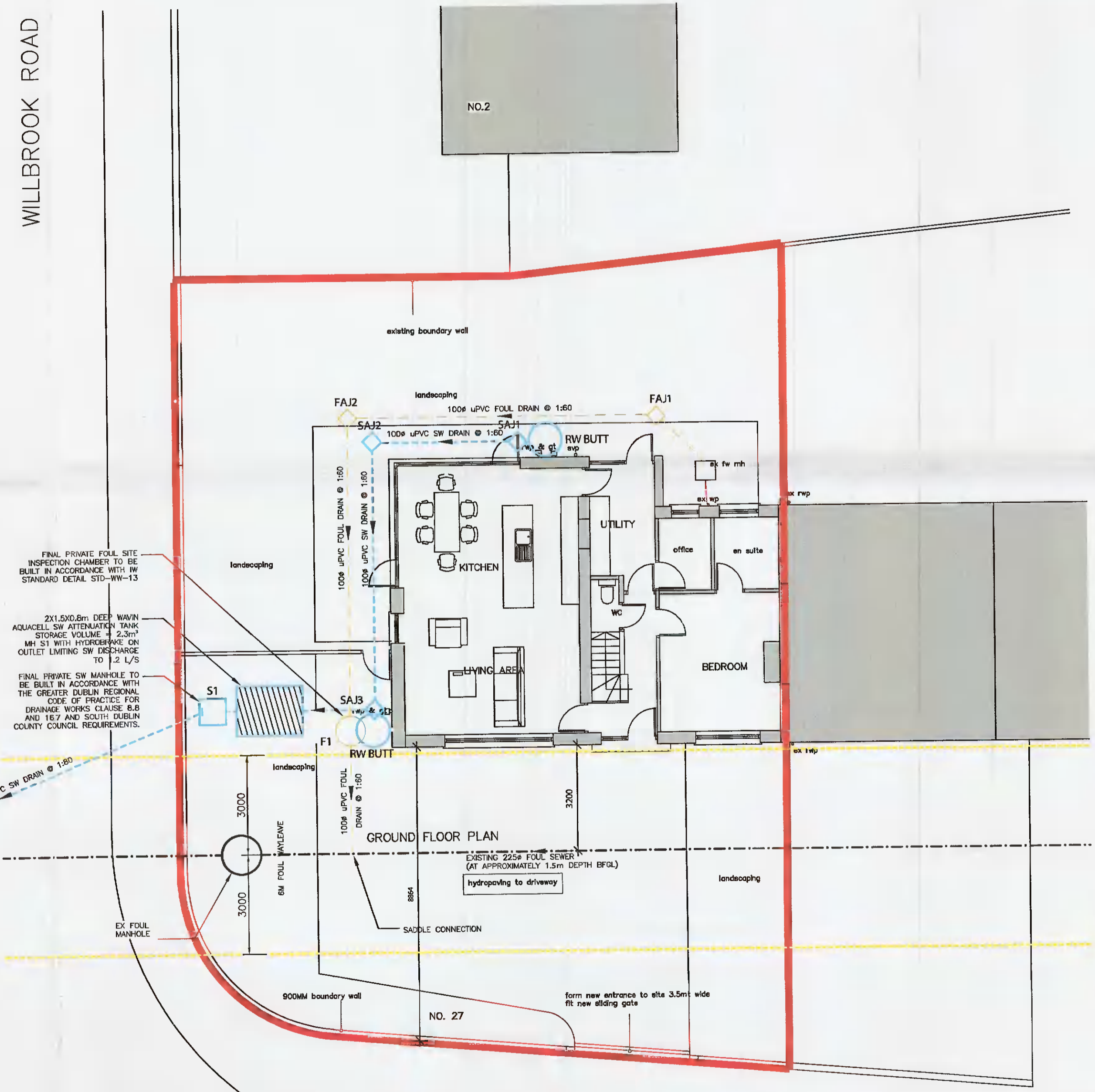
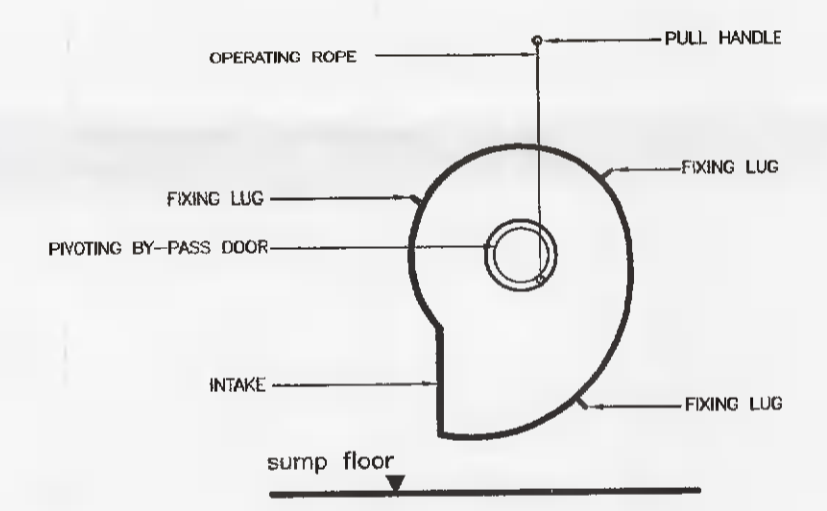
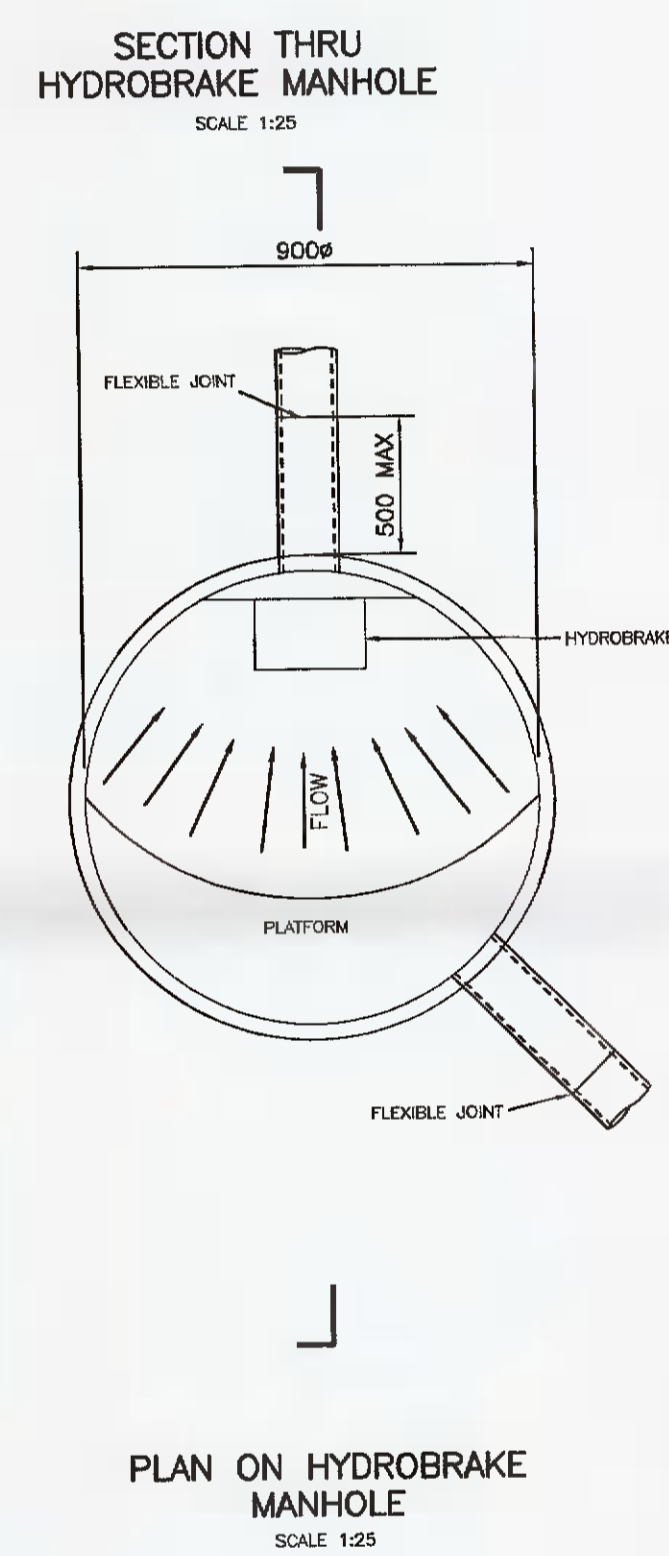
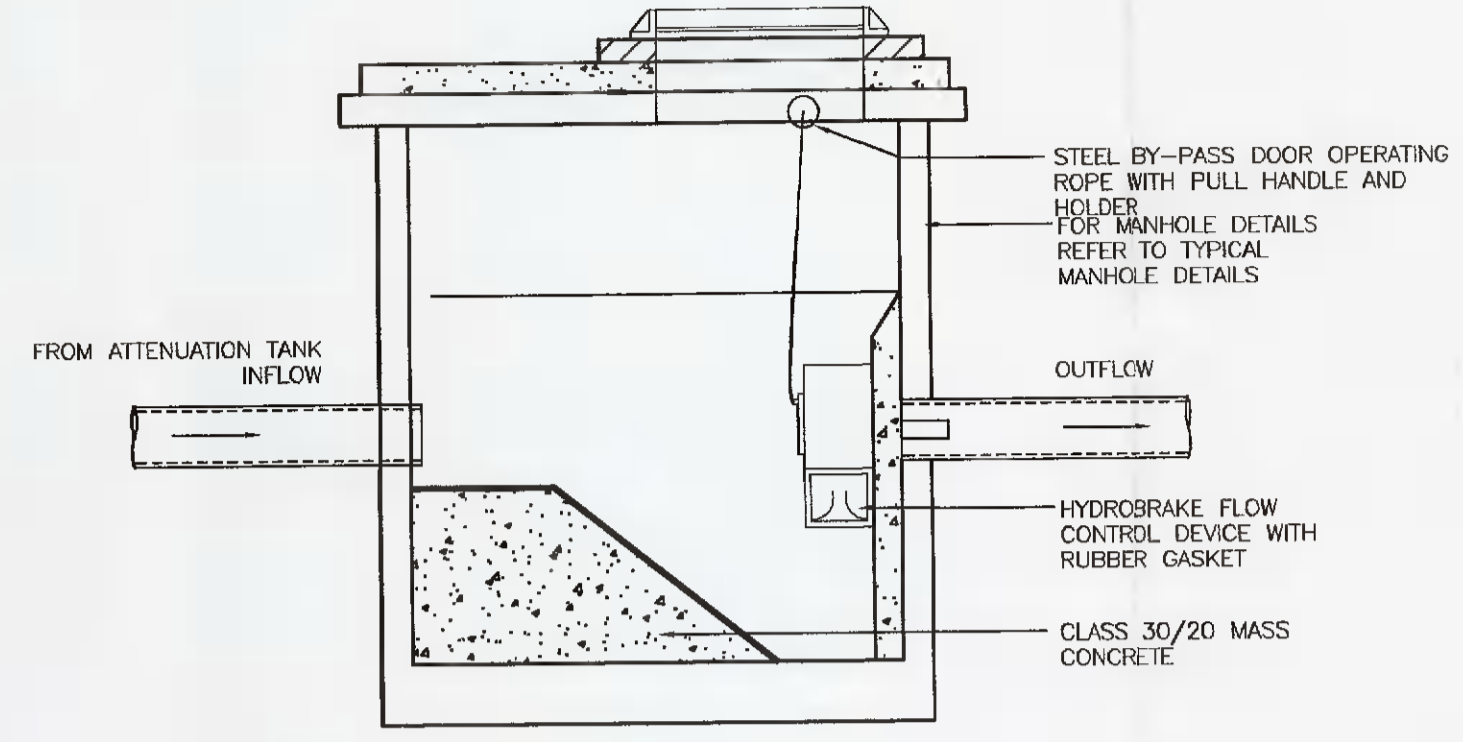
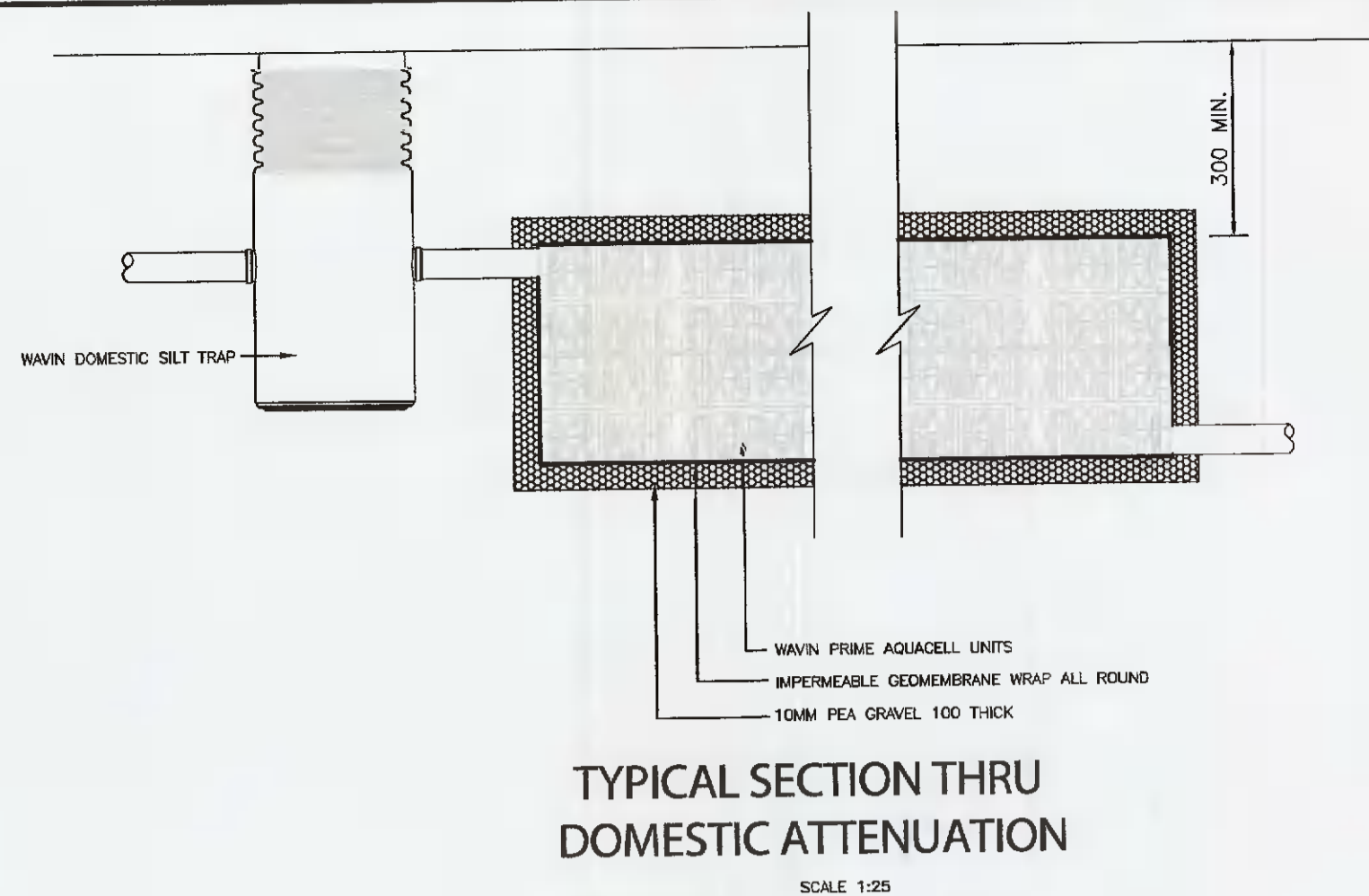


NOTES:  
 OBA CONSULTING CIVIL & STRUCTURAL ENGINEERS  
 THIS DRAWING AND ALL DESIGN HEREON IS THE COPYRIGHT OF THE CONSULTANTS AND MUST NOT BE REPRODUCED WITHOUT THEIR WRITTEN CONSENT.  
 ALL DRAWINGS REMAIN THE PROPERTY OF THE CONSULTANTS.  
 FIGURED DIMENSIONS ONLY TO BE TAKEN FROM THIS DRAWING.  
 DO NOT SCALE.  
 ALL DIMENSIONS TO BE CHECKED ON SITE.  
 CONSULTANTS TO BE INFORMED OF ANY DISCREPANCIES BEFORE WORK COMMENCES



**NOTES:**

- PIPES LAID IN ROADS SHOULD HAVE A MINIMUM COVER OF 1.2m
- PIPES LAID IN OPEN SPACES SHOULD HAVE A MINIMUM COVER OF 0.9m
- WHERE IT IS NOT POSSIBLE TO ACHIEVE THE MINIMUM COVER STIPULATED ABOVE, PIPES SHOULD BE BEDDED AND SURROUNDLED IN CONCRETE, 150MM THICK, CLASS E, IN ACCORDANCE WITH CLAUSE 1502 OF THE SPECIFICATION FOR ROADWORKS



**FOUL DRAIN**

NAME F(Ø)	CL m	EIL m	IL m	DIST m	FALL 1:Ø	PIPE DIAMETER	DEPTH mm
EX.MH	55.200		54.600				0.600
FAJ1	55.200	54.563	54.563	2.200	60.0	100	0.837
FAJ2	55.200	54.407	54.407	9.400	60.0	100	0.793
F1	55.200	54.248	54.000	9.500	60.0	100	1.200
SADDLE	55.200	53.638	53.400	3.700	60.0	100	1.800

**SW DRAIN**

NAME S(Ø)	CL m	EIL m	IL m	DIST m	FALL 1:Ø	PIPE DIAMETER	DEPTH mm
SAJ1	55.200		54.900				0.300
SAJ2	55.200	54.827	54.827	4.400	60	100	0.373
SAJ3	55.200	54.692	54.692	8.100	60	100	0.508
SW ATT TANK	55.200	54.655	53.755	2.200	60	100	1.445
S1	55.200	53.738	53.738	1.000	60	100	1.462
EX.S1	55.220	53.553	53.270	14.800	80	100	1.950

Rev	Date	Description	By	Chkd

Client <b>ALAN WALSH</b>	 OBA CONSULTING CIVIL & STRUCTURAL ENGINEERS The School Yard 1 Grantham Street Dublin 8, Ireland T: 01 856 01 530004 W: www.obaconsulting.ie E: info@obaconsulting.ie
Project Title <b>27 BALLYBODEN ROAD RATHFARNHAM DUBLIN 14</b>	
Architect <b>EMD ARCHITECTS</b>	Drawing Status <b>PLANNING</b>
Scale: 1:100@A1	Date: JAN. 2022
Job Number <b>500-22A</b>	Drawing No. <b>C01</b>
Drawn: AM	Chkd: cca
Cad File:	Revision: -