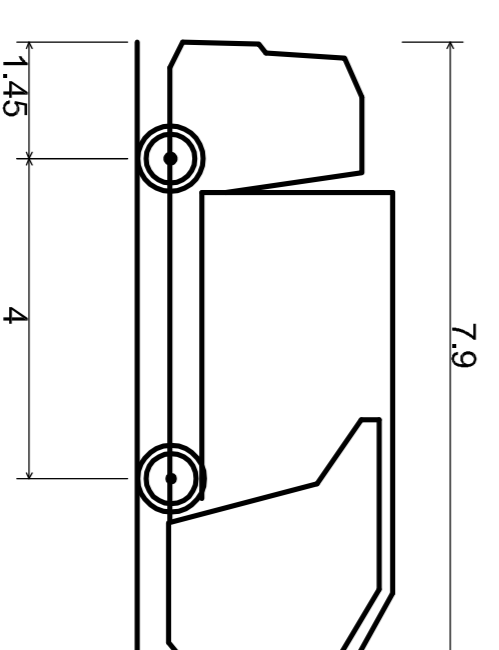


REFUSE TENDER SWEPT PATH

SCALE 1:250



DB32 Refuse Vehicle
 Overall Length 7.9
 Overall Width 1.45
 Overall Body Height 4
 Min Body Ground Clearance 0.388m
 Max Track Width 2.400m
 Lock to lock time 6.00s
 Kerb to Kerb Turning Radius 9.625m

7.900m
 2.400m
 3.183m
 0.388m
 2.400m
 6.00s
 9.625m

Rev	Date	Dim	CHK'd	Description
1	17/01/22	SR	FW	SHD Stage 3 Submission
0	31/05/21	SR	FW	Issued for Stage 2 Submission



LOHAN & DONNELLY
 Consulting Engineers

13 Gardiner Place, Mountjoy Square, Dublin 1. T: 01 8787770
 W: www.lohan-donnelly.com E: info@lohan-donnelly.com

Project:	Dolcain House SHD, Clondalkin, Dublin 22 for Randselwood Holdings LTD	Project No:	2148	Draw No:	TO2-B
Drawing:	Swept Path Analysis Refuse Tender Site Layout B	Scale:	@A1	Date:	MAY '21
Model Reference:	2148-LDE-ZZ-ZZ-M2-SC-0006	Drawn:	SR	Rev:	1
Drawing Reference:	2148-LDE-ZZ-ZZ-DR-SC-1T02-B	Model Rev:		Suitability:	S0