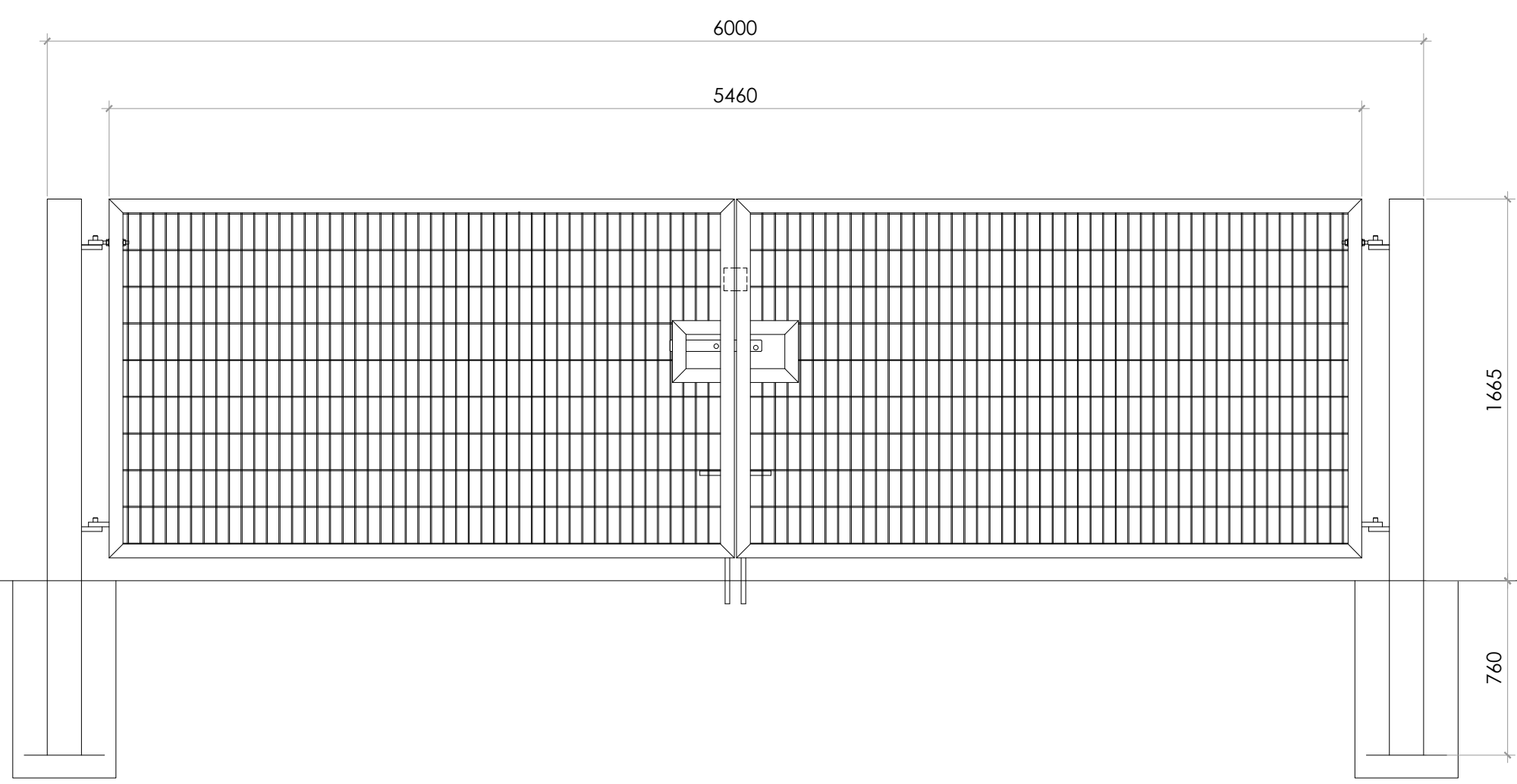
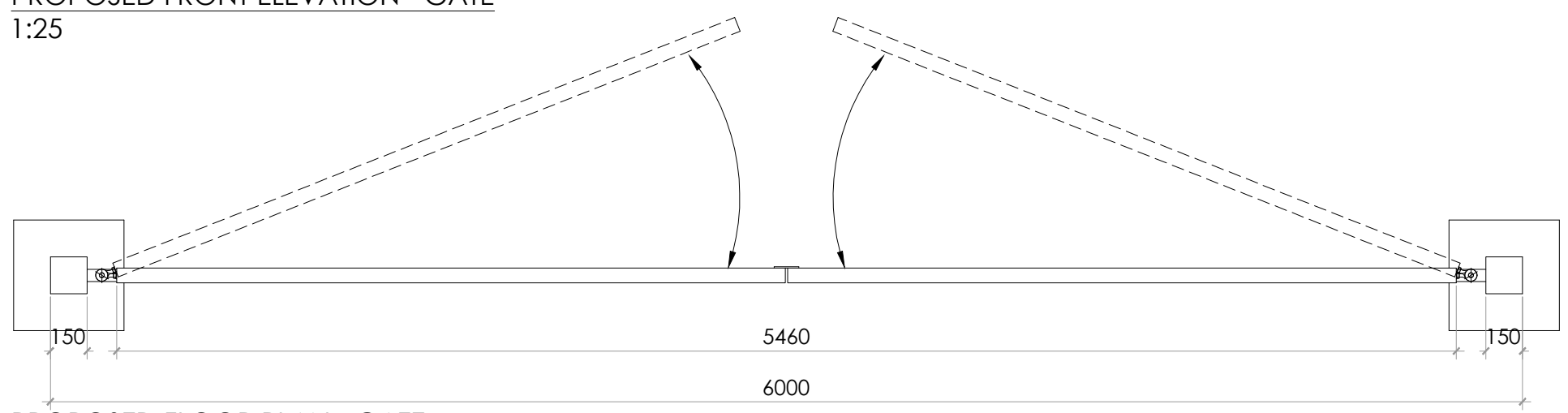


GENERAL NOTES -
 ** Do not scale from this drawing
 ** Use figured dimensions only
 © This drawing is copyright. No part of this document may be re-produced or transmitted in any form or stored in any retrieval system from the copyright holder, except as agreed for use on a project, for which the document was originally issued.



PROPOSED FRONT ELEVATION - GATE
 1:25



PROPOSED FLOOR PLAN - GATE
 1:25



KEY PLAN
 NTS



STAGE 03

ha
 DESIGN STUDIO

36 Mount Street Upper, Dublin D02 Y982
 +353 1 524 0709 www.hads.ie

CLIENT
 RANDELSWOOD HOLDINGS LTD.
 PROJECT
 PROPOSED SHD DEVELOPMENT AT
 DOLCAIN HOUSE, MONASTERY RD.
 CLONDALKIN, DUBLIN 22

DWG. TITLE
 PROPOSED GATE ACCESS

SCALE @ A3: 1:25
 DRAWN BY: LH
 CHECKED BY: JH
 PAPER SIZE: A3
 JOB NO. 18-001
 DATE: 21.01.2022

DWG NO. PL_403