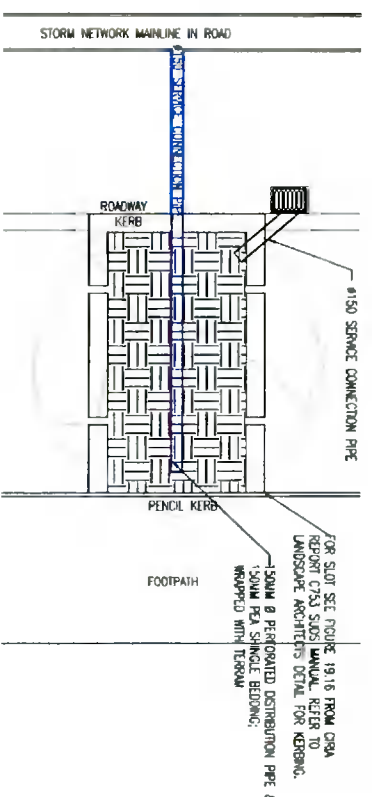
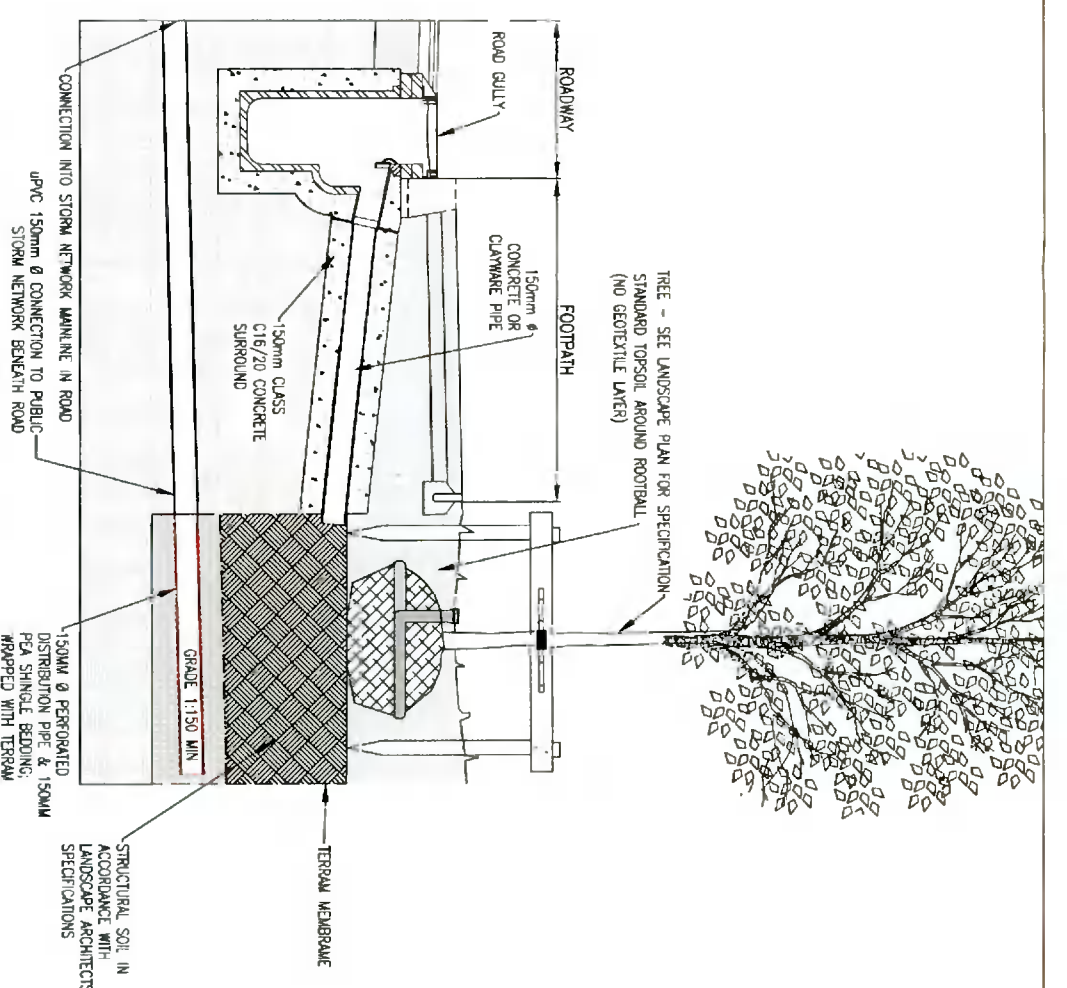


TYPICAL SECTION THROUGH TREE PIT (WITH PUBLIC STORM NETWORK CONNECTION)
SCALE 1:25 @ A1



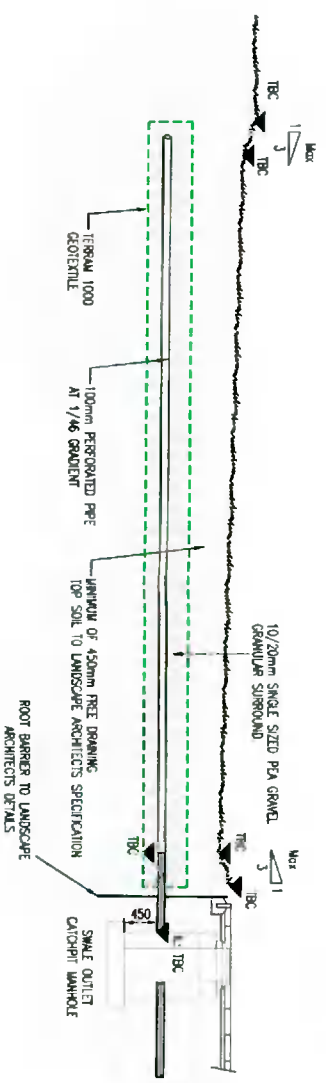
PLAN - TYPICAL TREE PIT DETAIL
SCALE 1:50 @ A1



TYPICAL SECTION THROUGH TREE PIT (WITH GULLY CONNECTION)
SCALE 1:25 @ A1

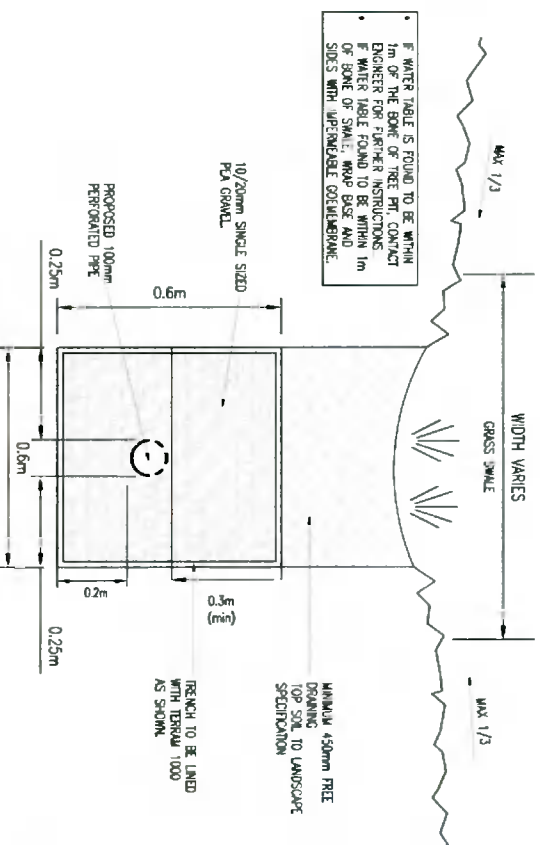


FIGURE 19.16: EXAMPLE OF INLETS TO ALLOW SURFACE WATER RUNOFF TO INFILTRATE INTO TREE PITS. TAKEN FROM CIRIA REPORT C753 THE SUDS MANUAL.

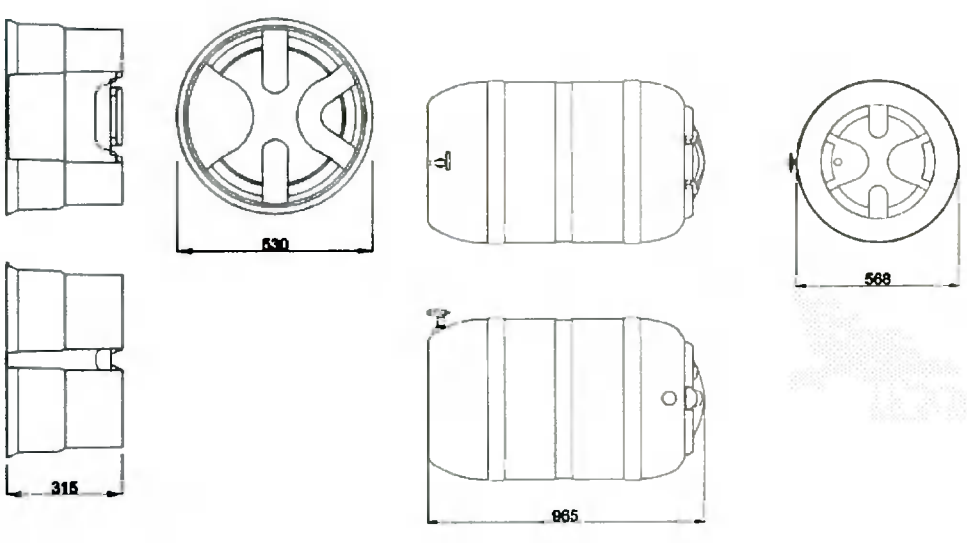


TYPICAL SWALE CROSS SECTION
SCALE 1:50 @ A1

TYPICAL SECTION THROUGH PROPOSED SWALES
SCALE 1:10 @ A1



- NOTES:
1. DO NOT SCALE. USE FIGURED DIMENSIONS ONLY.
 2. THIS DRAWING IS TO BE READ IN CONJUNCTION WITH ALL OTHER RELEVANT ARCHITECTURAL AND ENGINEERING DRAWINGS.
 3. MINIMUM DEPTH OF 1m ABOVE CROWN OF PROMINENT SURFACE WATER/GULLY PIPE TO ALLOW FOR STAKES IN FOOTING.
 4. ALL SURFACE WATER STRUCTURES AND PIPES TO BE INSTALLED IN ACCORDANCE WITH THE CROSS AND PART H GUIDELINES.
 5. SEE LANDSCAPE ARCHITECT LAYOUT AND DETAILS.



210L STANDARD WATER BUTT

REV	DATE	DESCRIPTION	BY	CHK	APP'D
A	11/11	SDCC FOR PLANNING ADDITIONAL INFORMATION	MS	EC	
B	06/11	PLANNING ISSUE	PM	S	
		AMENDMENT			DNR APP'D

ISSUE FOR PLANNING SDCC

Waterman Moylan
Engineering Consultants

BLOCK 5 EASTPOINT BUSINESS PARK, ALFE BRINE ROAD
DUBLIN D08 P64 IRELAND. TEL: 01 708 8000
Email: info@watermanmoylan.ie www.watermanmoylan.ie

CLIENT: **QUINTINI DEVELOPMENTS IRELAND LTD**
ARCHITECT: **BDO ARCHITECTS**
PROJECT: **ADERGIC PHASE 2**

TITLE	DATE
PROPOSED SUDS DETAILS	MAY 2021
DRAWN	DESIGNED
MS	PI
SCALE	DATE NO
AS SHOWN	20-108
	REVISION
	A