

01 Site Location Map
PA 000 1:2500

ISSUED FOR PLANNING ONLY, NOT FOR CONSTRUCTION

NOTES:

Do not scale from this drawing.

Any discrepancies found on site to be reported to Darnody Architects immediately.

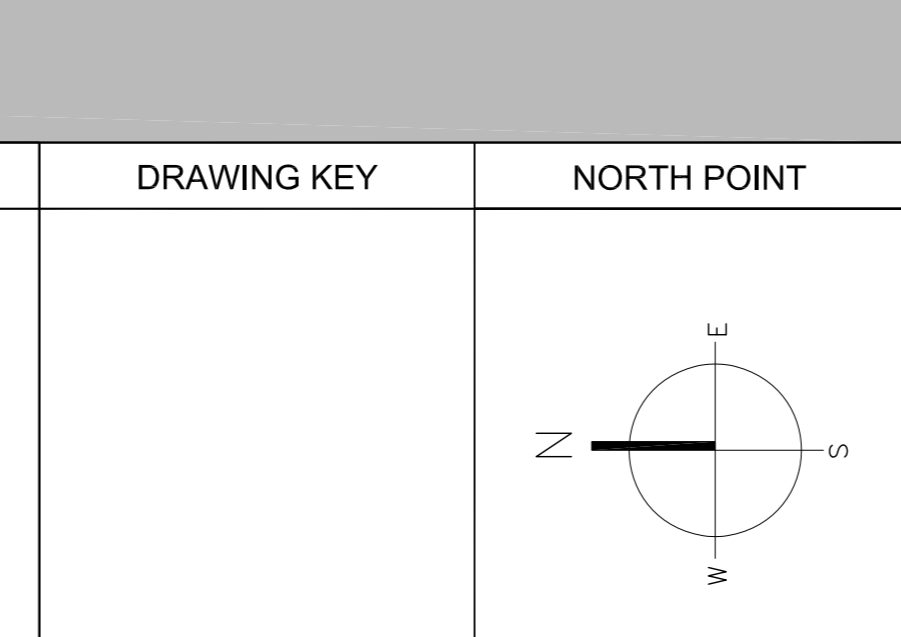
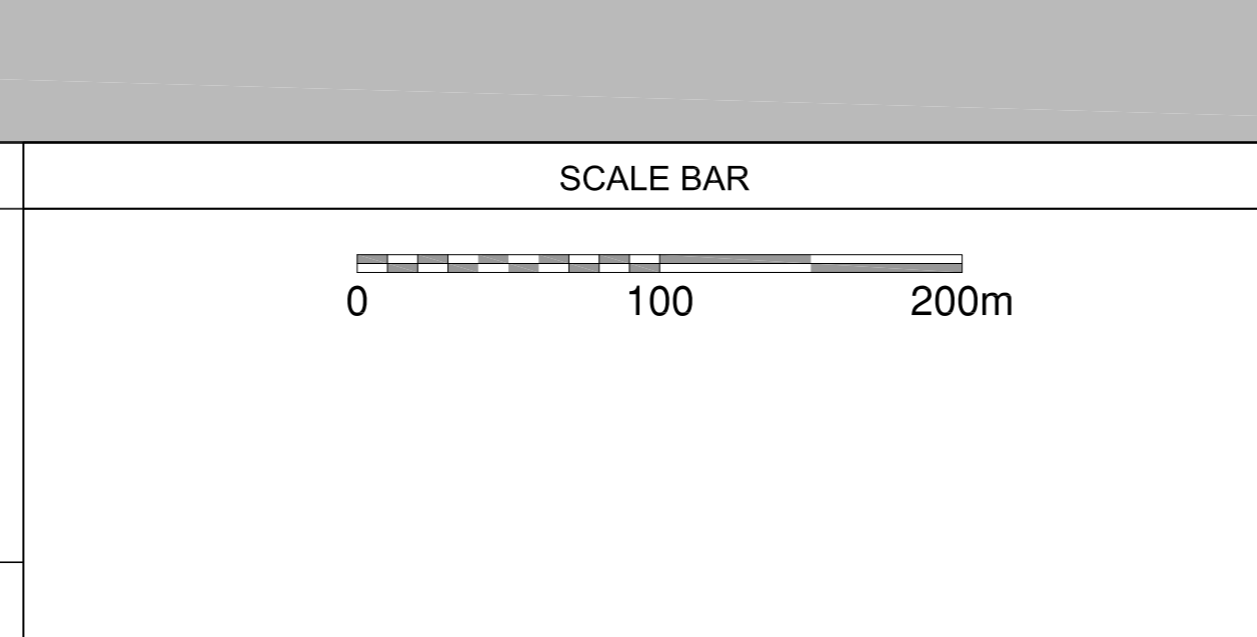
Any discrepancies found on drawings to be reported to Darnody Architects immediately.

Refer to engineers drawings for structural details.

All dimensions sized to blockwork.

Rev.	Description.	Date.	Initials.

DRAWING KEY	
	Delineates Site Boundary
	Delineates Area within Applicants Ownership



O.S.I. COPYRIGHT LICENCE NO. AR0059521
ORDNANCE SURVEY IRELAND AND GOVERNMENT OF IRELAND
ITM CENTRE COORDINATES: 794014, 727295

creative innovative flexible

darnody
architecture

91 Townsend Street, Dublin 2
353 1 672 9907
info@darnodyarchitecture.com
darnodyarchitecture.com

Rev. No.	Scale	Date	Drn. By	Chkd. By	Issue
	1:2500 @ A0	10/12/2021	Seán Barrett	Tim Darnody	PLANNING

Project.	Strategic Housing Development, on site at Mill Road, Saggart, Co. Dublin.	
Title.	Site Location Map	
Client.	Tetrarch Residential Ltd.	
Dwg. No.	PA-000	Job No. 19037