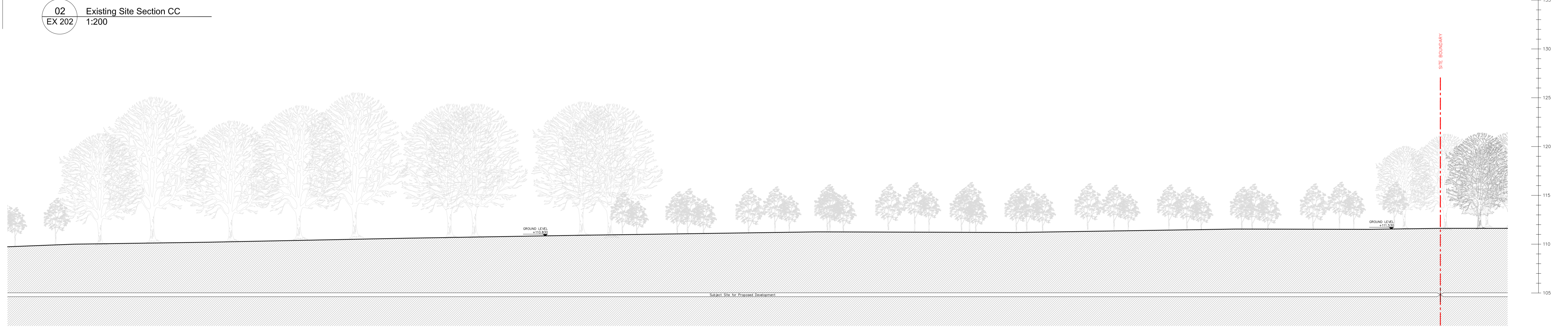


01 Existing Site Section CC  
EX 202 1:500



02 Existing Site Section CC  
EX 202 1:200



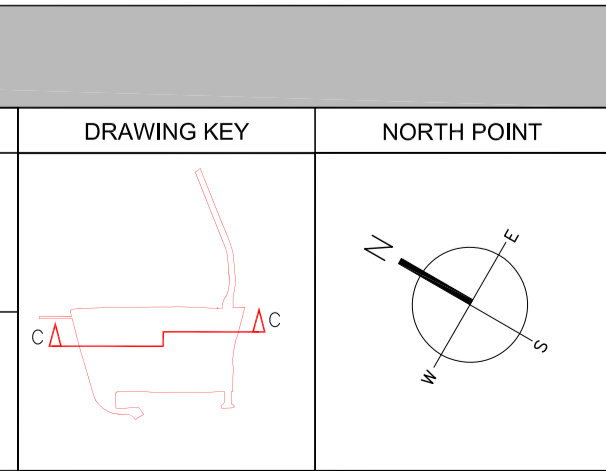
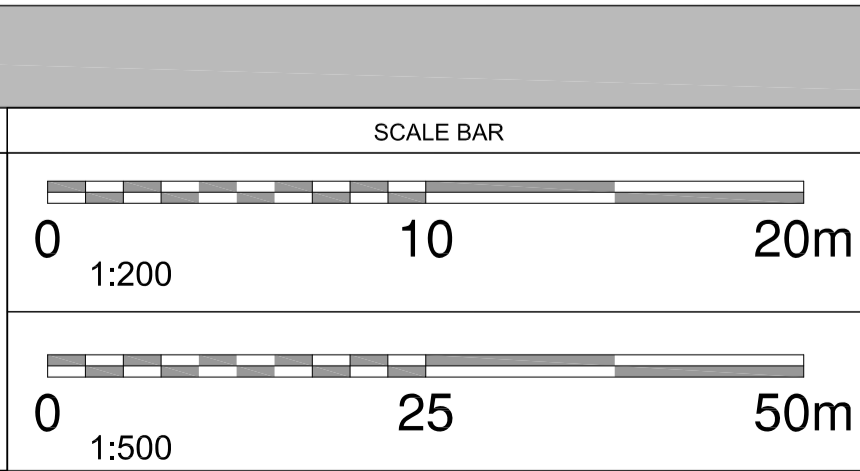
03 Existing Site Section CC  
EX 202 1:200

ISSUED FOR PLANNING ONLY, NOT FOR CONSTRUCTION

NOTES:  
Do not scale from this drawing.  
Any discrepancies found on site to be reported to Darmody Architects immediately.  
Any discrepancies found on drawings to be reported to Darmody Architects immediately.  
Refer to engineers drawings for structural details.  
All dimensions sized to blockwork.

Rev.	Description.	Date.	Initials.

DRAWING KEY	



creative innovative flexible

**darmody**  
architecture

91 Townsend Street, Dublin 2  
353 1 672 9907  
info@darmodyarchitecture.com  
darmodyarchitecture.com

Rev. No.	Scale	Date	Dm. By	Chkd. By	Issue
	1:200 / 1:500 @ A1	10/12/2021	Savva Zakharov	Suzanne Moloney	PLANNING

Project.	Strategic Housing Development on site at Mill Road, Saggart, Co. Dublin.	
Title.	Existing Site Section CC	
Client.	Tetrarch Residential Ltd.	
Dwg. No.	EX-202	Job No. 19037