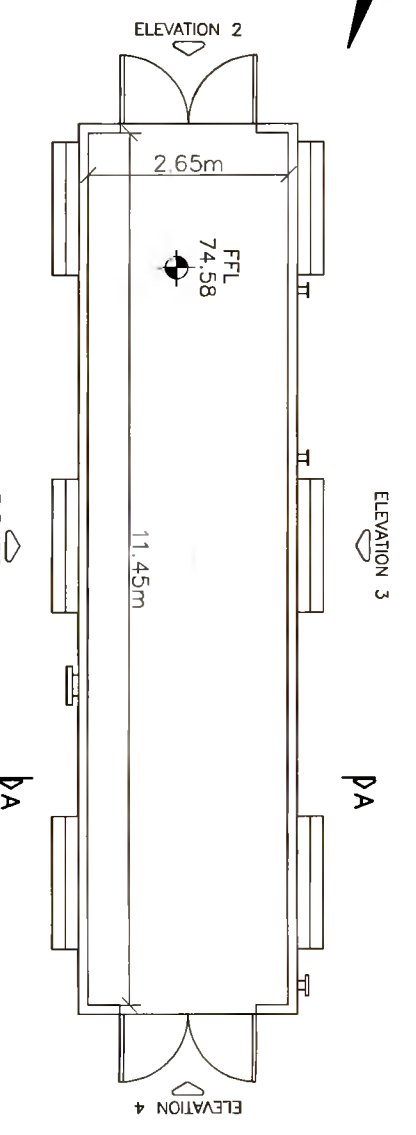
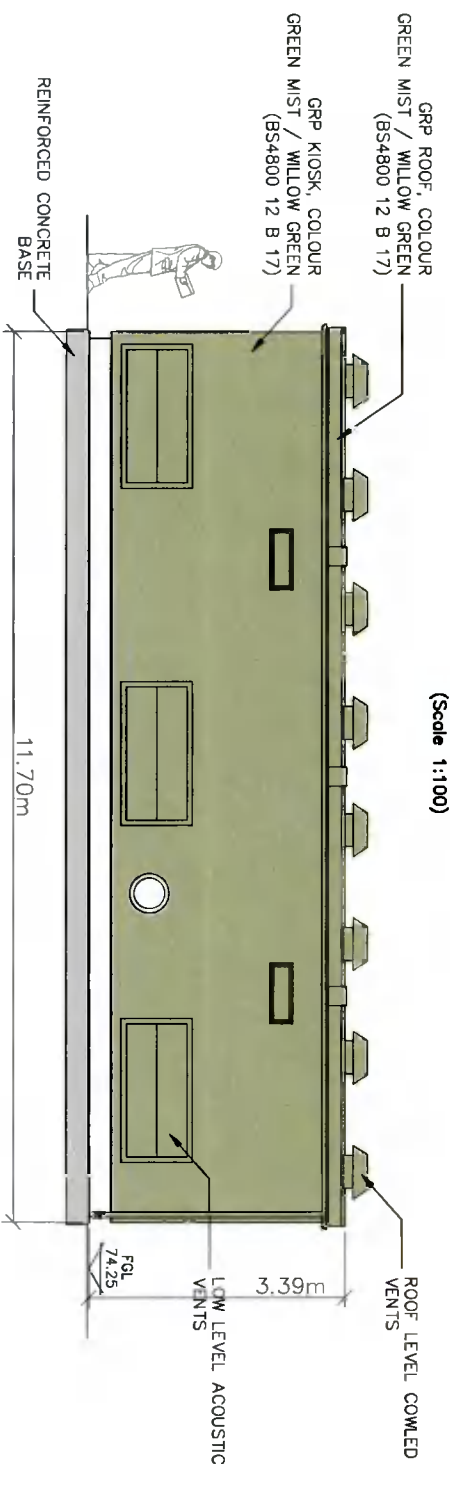


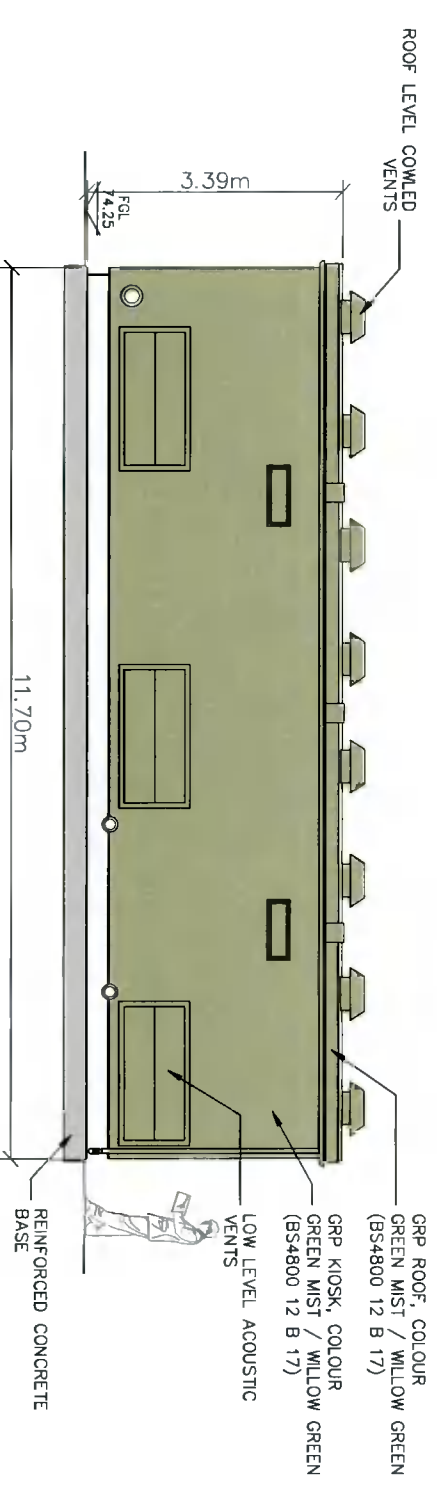
PLANNING



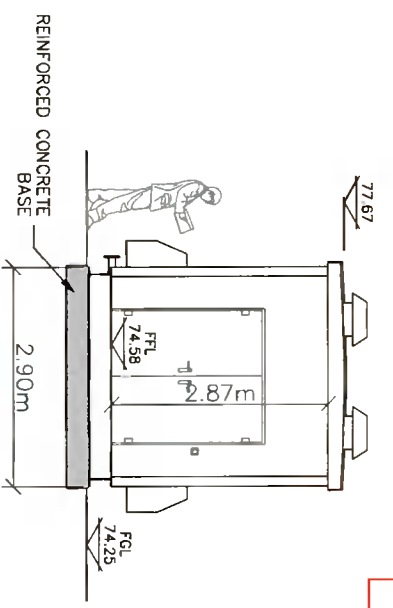
ELEVATION 3
(Scale 1:100)



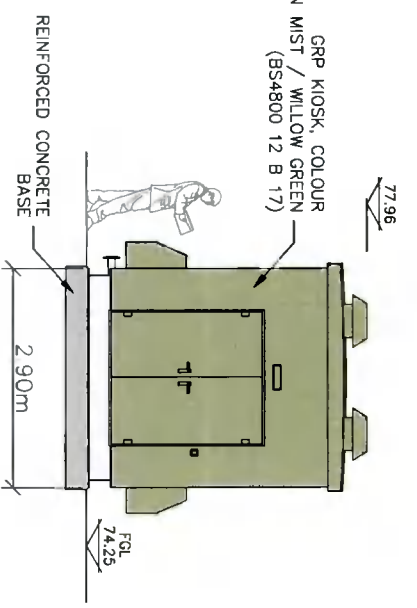
ELEVATION 1 - Facing East
(Scale 1:100)



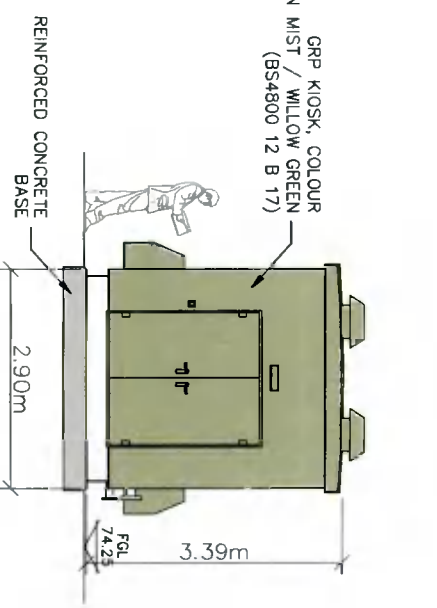
ELEVATION 3 - Facing West
(Scale 1:100)



SECTION A-A
(Scale 1:100)



ELEVATION 2 - Facing South
(Scale 1:100)



ELEVATION 4 - Facing North
(Scale 1:100)

NOTE:
Internal Plant Layout subject to Detailed Design Specification

ISSUE	REVISION	REV BY	A	B	C	D	E	F	G
0	PLANNING ISSUE								
		TM	RMD	JL	NM				
		08/12/2021	08/12/2021	08/12/2021	08/12/2021				

APPROVALS	
A	DRAWING OFFICE
B	DESIGN ENGINEERING
C	STRATEGY/PLANNING
D	DESIGN MANAGEMENT
E	OPERATIONS
F	CONSTRUCTION
G	AM/IAO ADDITIONAL

PROJECT	44370116 PC4_TXLIC Grange Back-up Power Ltd.
TITLE	PLAN/SECTION & ELEVATIONS OF REGULATOR/METER KIOSK
DRAWING NUMBER	GNI/9001/07/042
SCALE	1:100 @A3
SHEET	01 OF 01

Fingletton White
Bridge Street Centre
Portlaoise
Co. Laois
Ireland
T: (00353)(0)57 866 5400
www.fingletton.ie

Gas Networks Ireland

P O Box 51,
Gasworks Road
Cork,
Rep of Ireland
T +353 21 4534000