

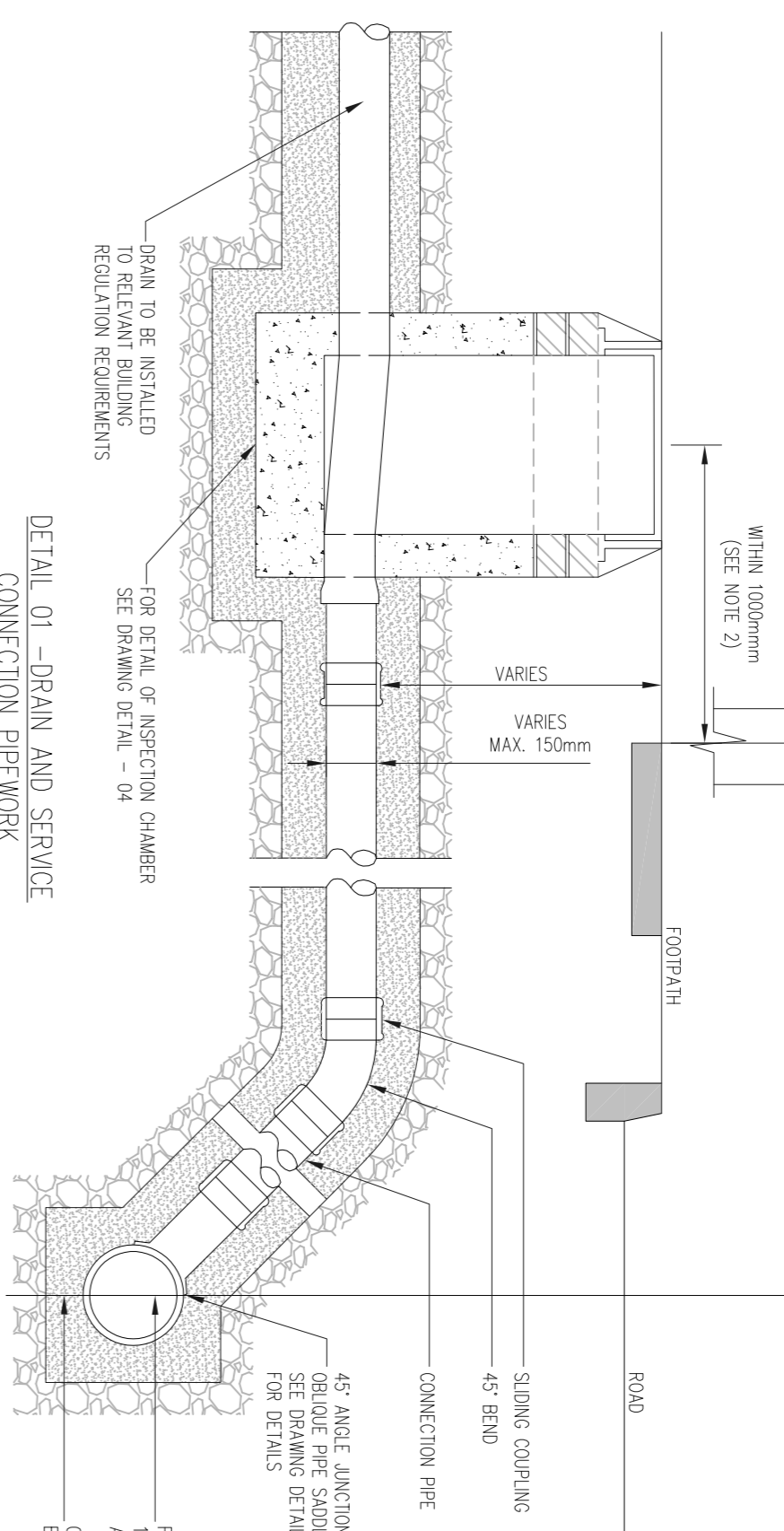
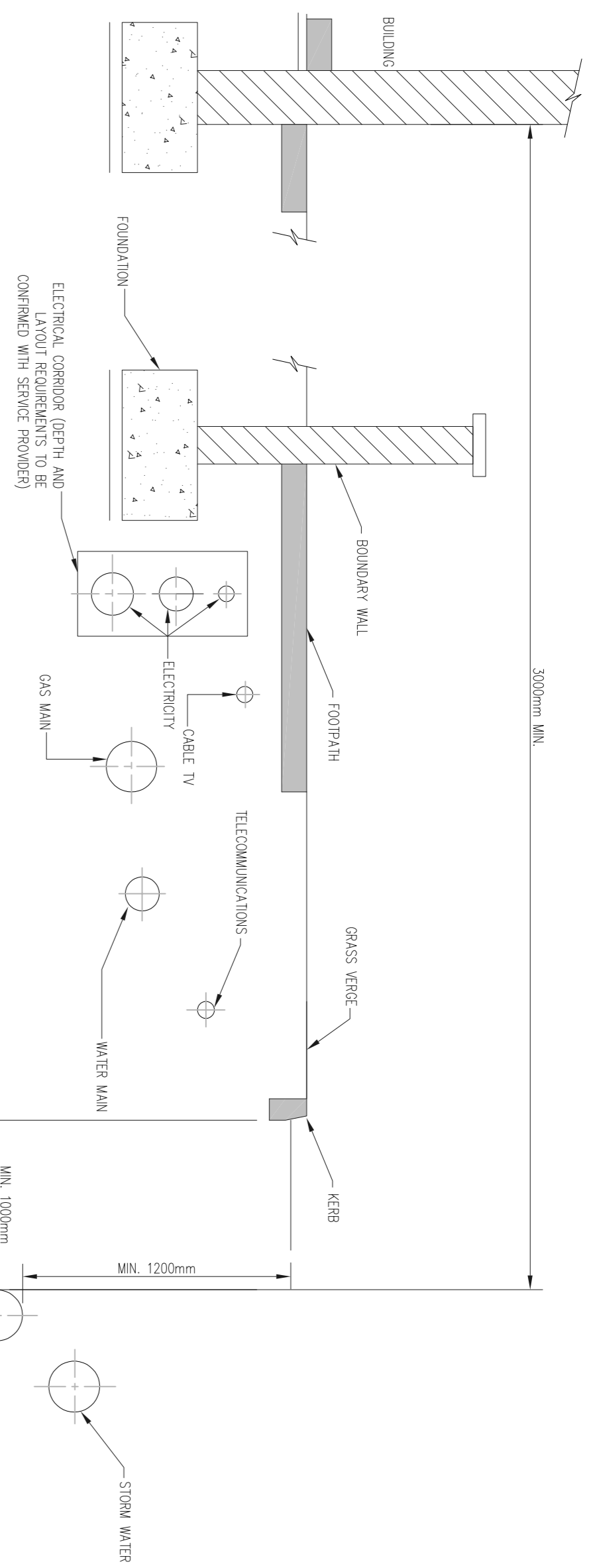
PROPERTY OWNER RESPONSIBILITY

PROPERTY OWNER RESPONSIBILITY

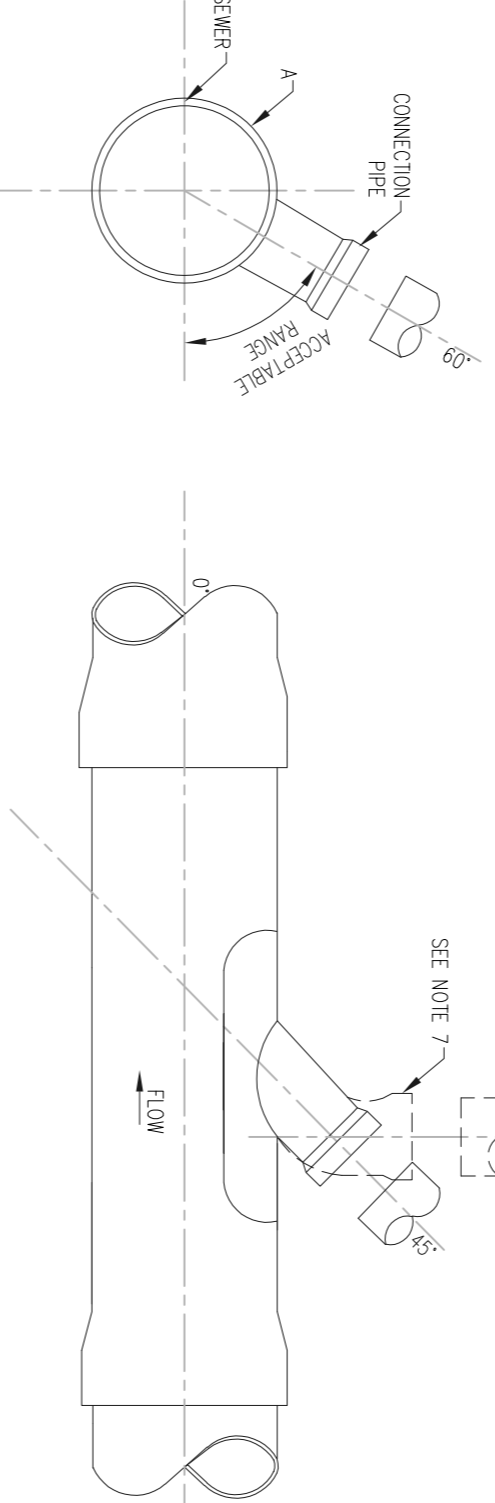
PROPERTY OWNER RESPONSIBILITY

SEWER FISH WATER RESPONSIBILITY

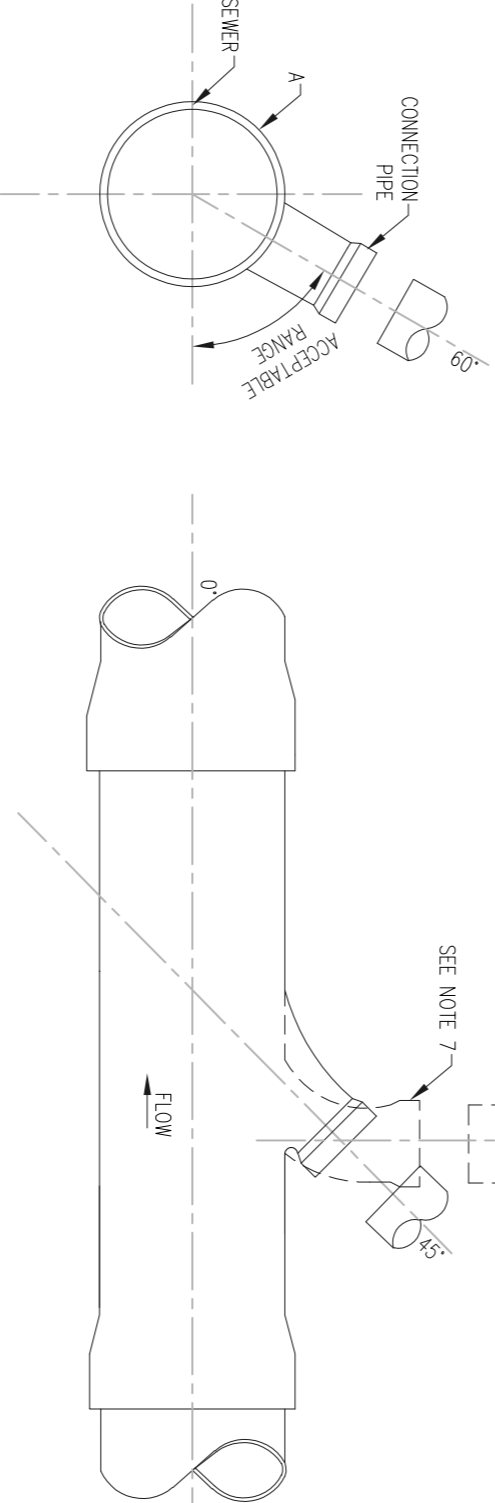
PIPE SIZE (mm)	GRADIENT
100	1:60
150 - 225	1:150 MIN.



DETAIL 01 - DRAIN AND SERVICE CONNECTION PIPEWORK



CROSS-SECTIONAL VIEW OF SEWER



CROSS-SECTIONAL VIEW OF SEWER

APPROVED 45° SADDLE CONNECTION

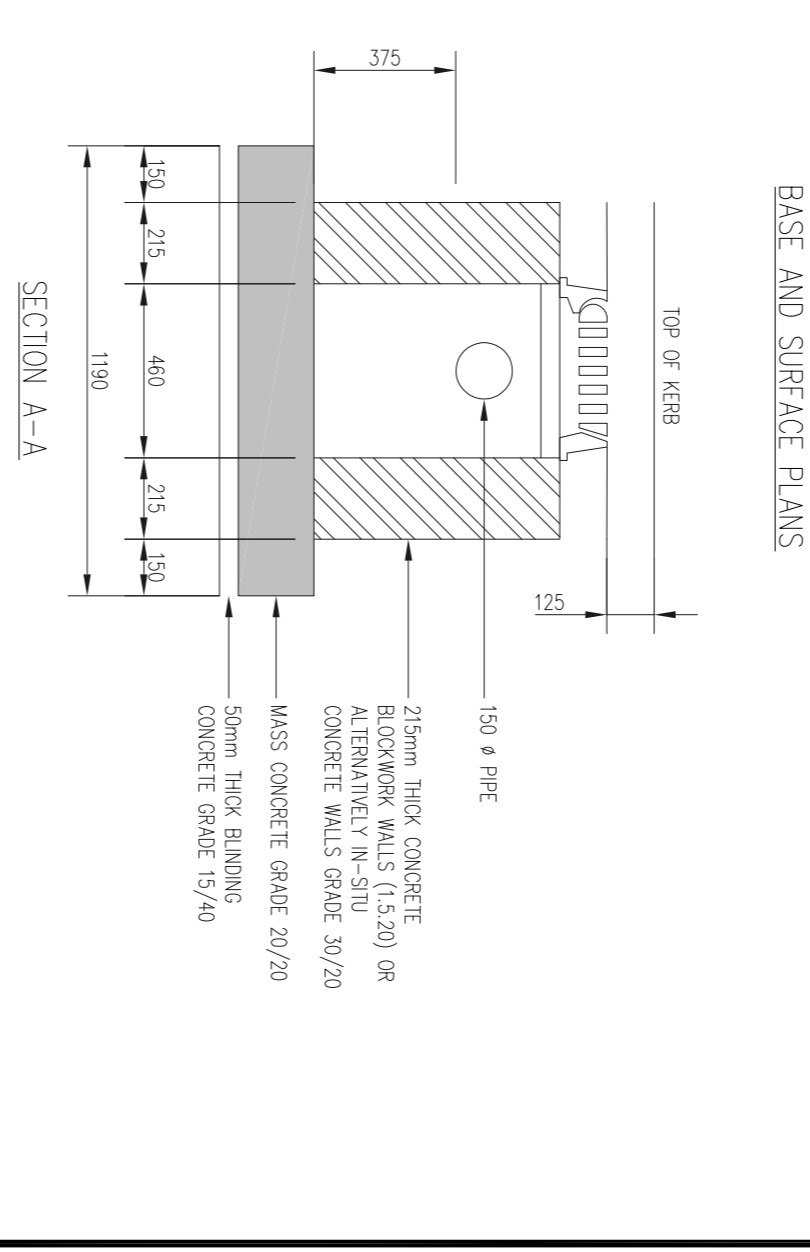
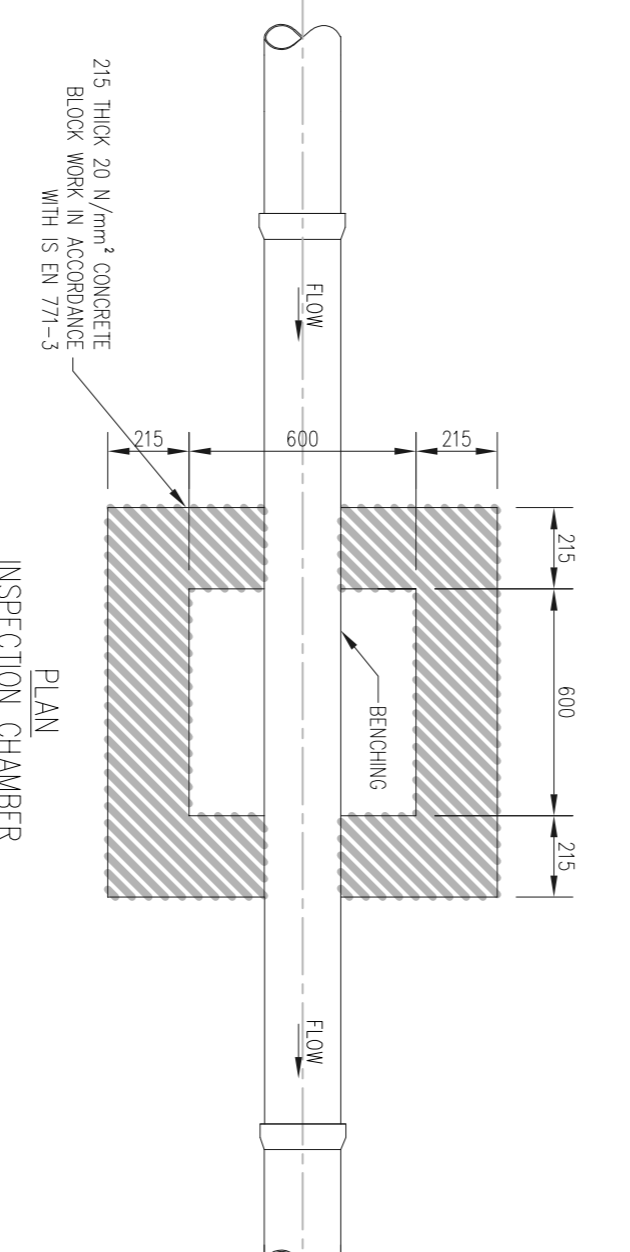
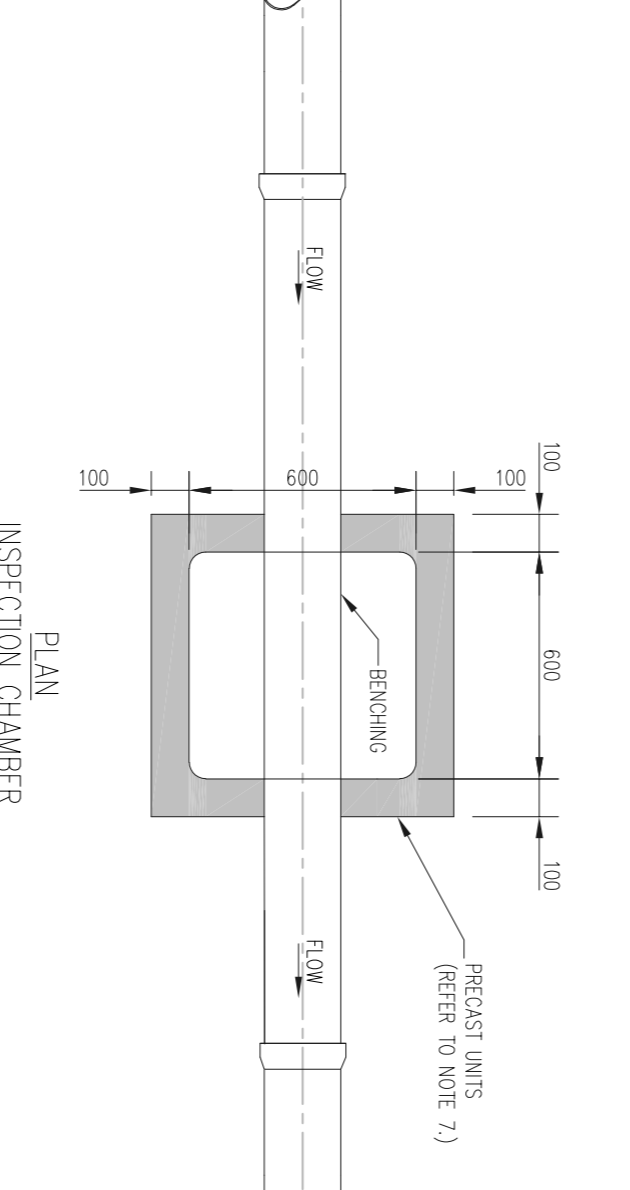
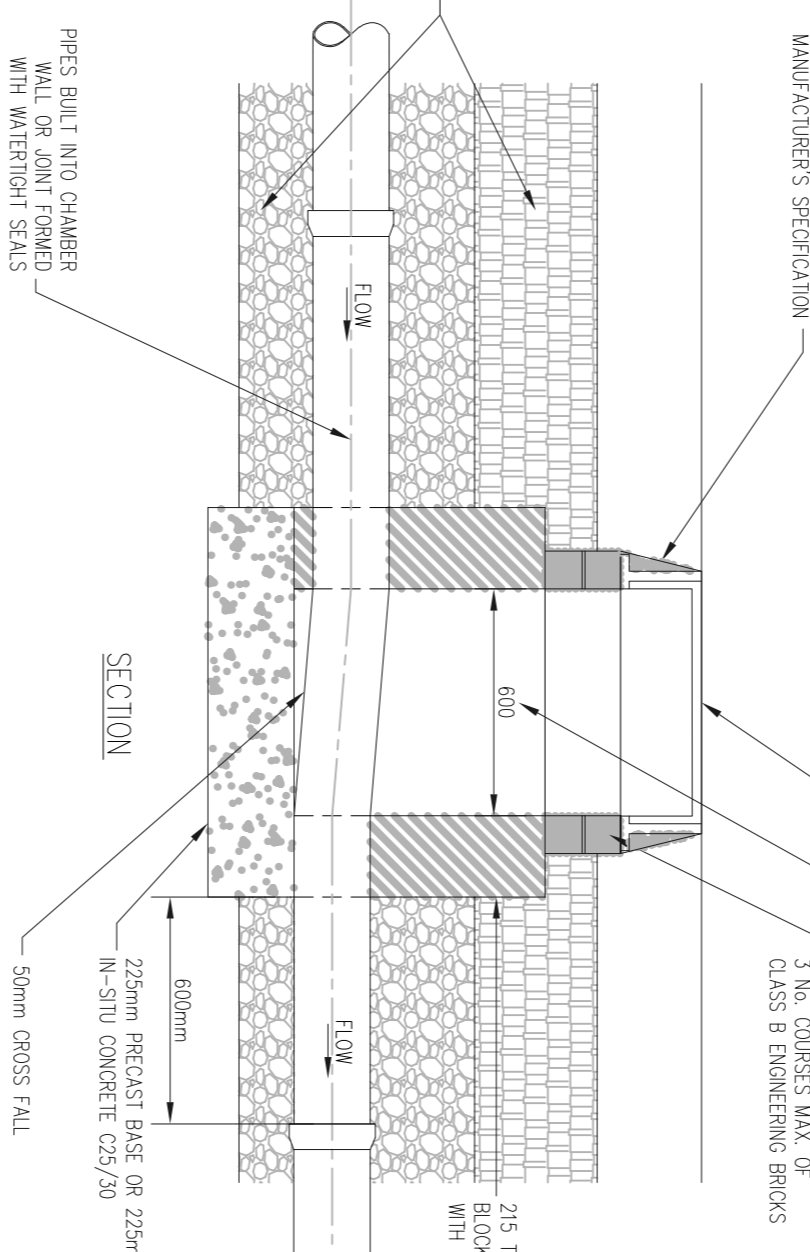
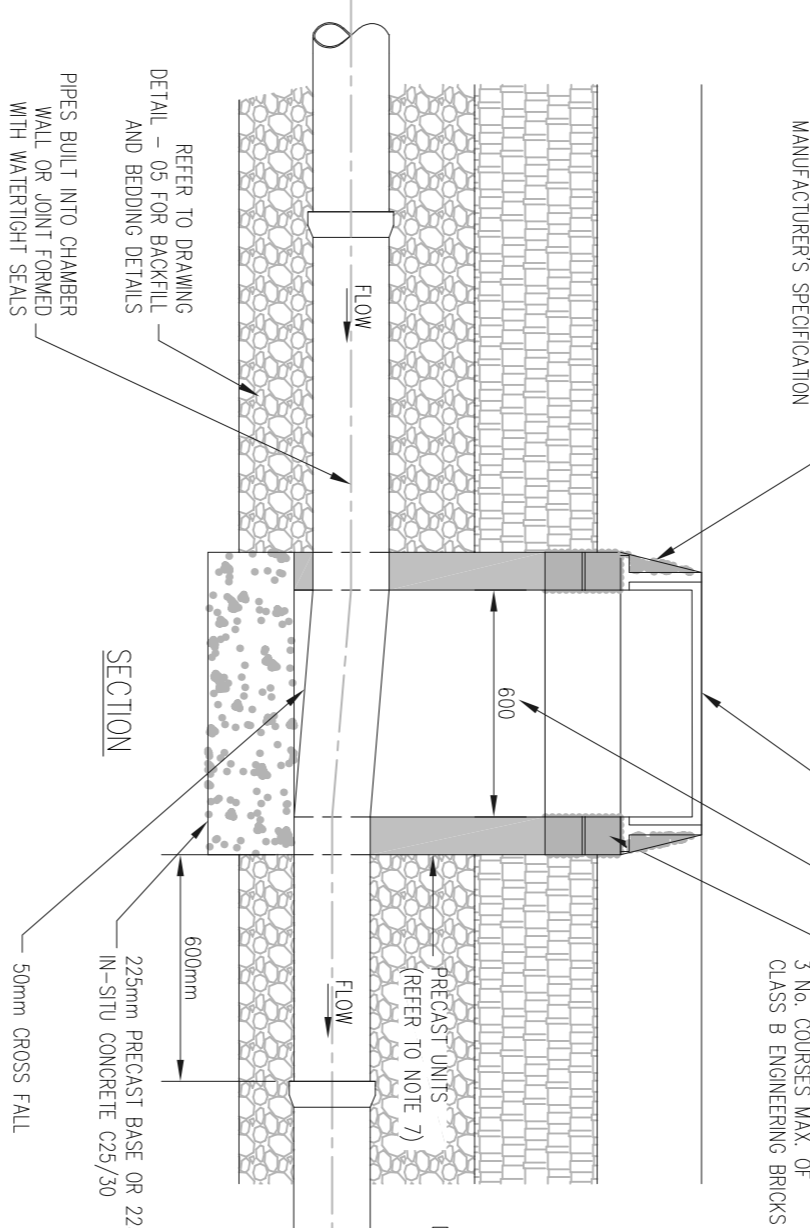
45° JUNCTION PIPE CONNECTION

DETAIL 03 - TYPICAL SEWER/SERVICE PIPE CONNECTION

DETAIL 04 - PRIVATE SIDE INSPECTION CHAMBER (PRECAST CONCRETE CONSTRUCTION)

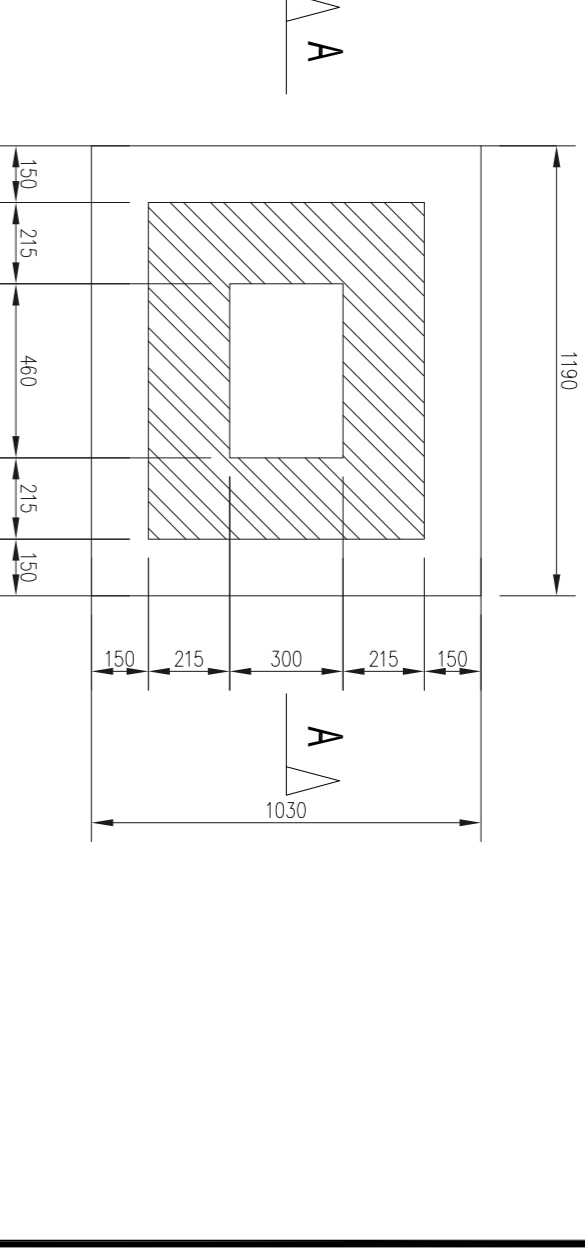
DETAIL 04 - PRIVATE SIDE INSPECTION CHAMBER (BLOCKWORK CONSTRUCTION)

DETAIL 06 - CONCRETE BED, HAUNCH AND SURROUND TO WASTEWATER PIPES



SECTION A-A ROAD GULLY

BASE AND SURFACE PLANS



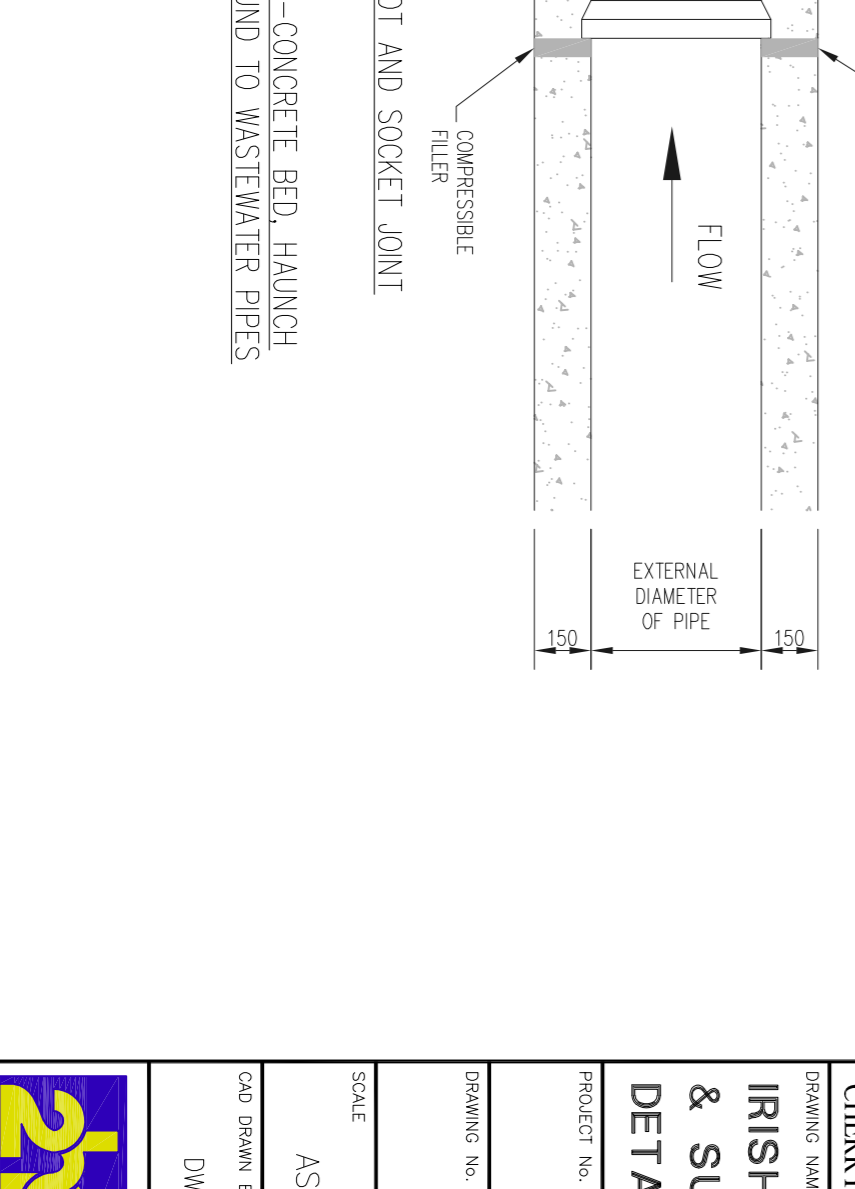
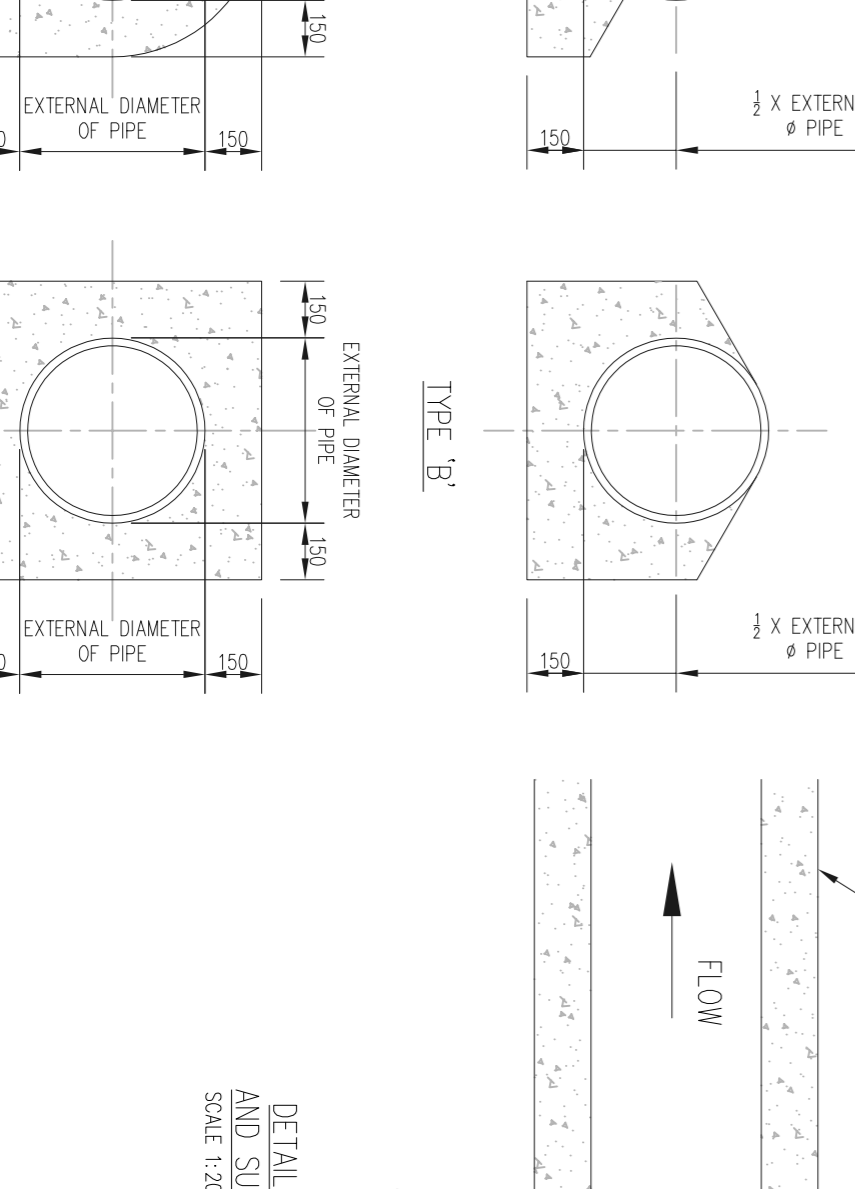
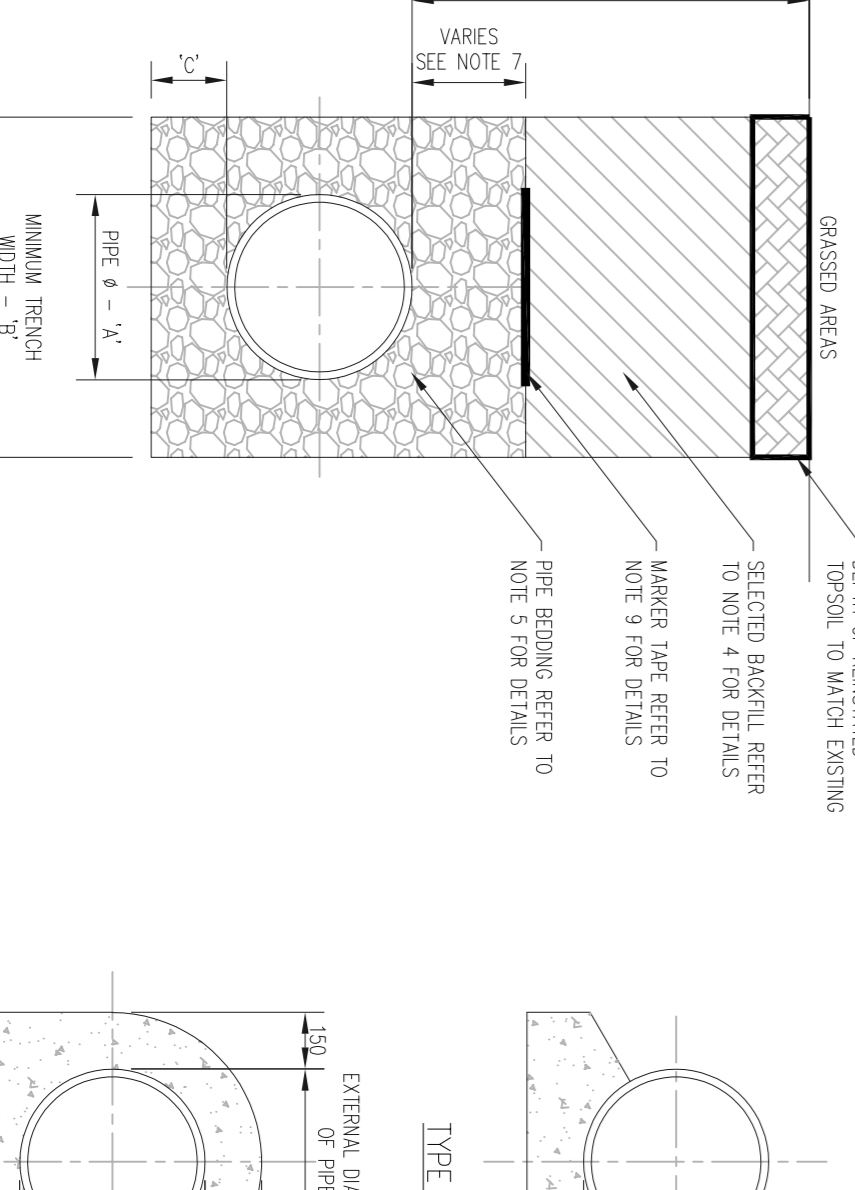
NOTES

GENERAL

- 1) THESE DRAWINGS TO BE READ IN CONJUNCTION WITH ALL RELEVANT HAYES HIGGINS ENGINEERING DRAWINGS AND SPECIFICATIONS.
- 2) DO NOT SCALE. USE FIGURED DIMENSIONS ONLY.
- 3) FOUL WATER/WASTE WATER TO CURRENT FISH WATER SPECIFICATION AND DETAILS (HW-CDS-5030-01).

PIPE DIAMETER 'A' (mm)	DEPTH OF BEDDING 'C' (mm)
≤ 100	100
150 - 450	200

PIPE DIAMETER 'A' (mm)	TRENCH WIDTH 'B' (mm)
≤ 80 RISING MAIN	SEE NOTE 10
100	500
150	600
200	600
250	750
300	750
350	750
400	900
450	900



PLANNING

ISSUED FOR PLANNING

DATE: 20.04.21

DESCRIPTION: HW-01 (PREP)

PROJECT No. 20D018

REVISION P

SCALE AS SHOWN

DATE: 20.04.21

DESIGNED BY: LM

CHECKED BY: LM

APPROVED BY: DH