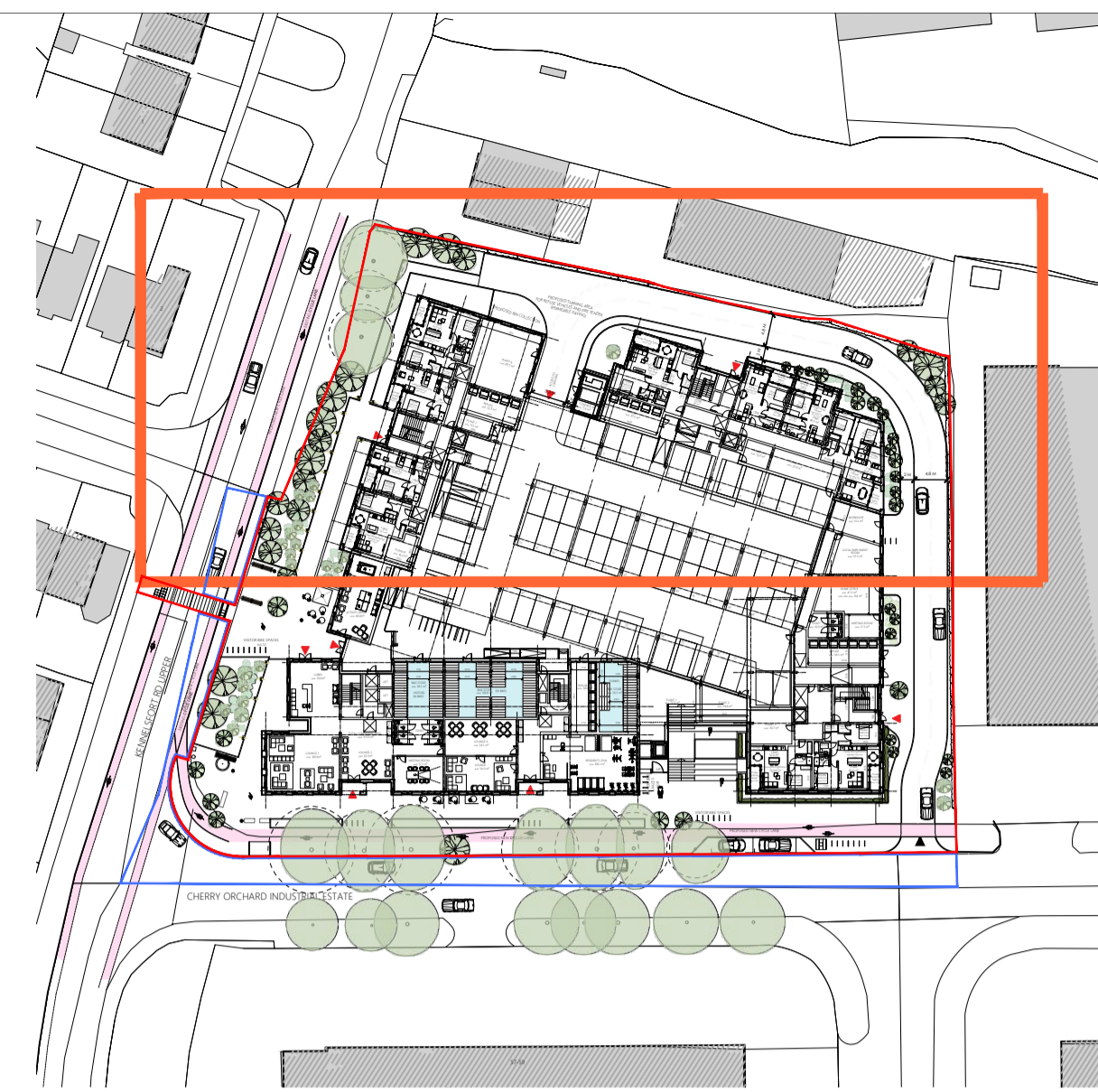


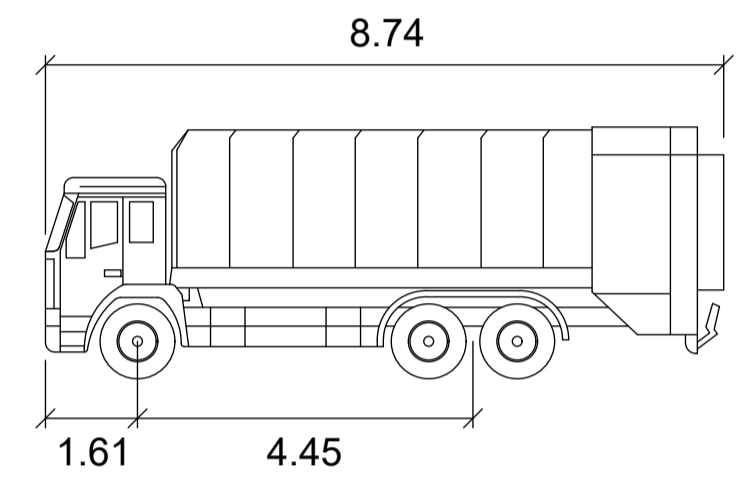
1 GROUND FLOOR PLAN - REFUSE 3 AXLE
SCALE 1:200



2 GROUND FLOOR PLAN - FIRE TENDER
SCALE 1:200

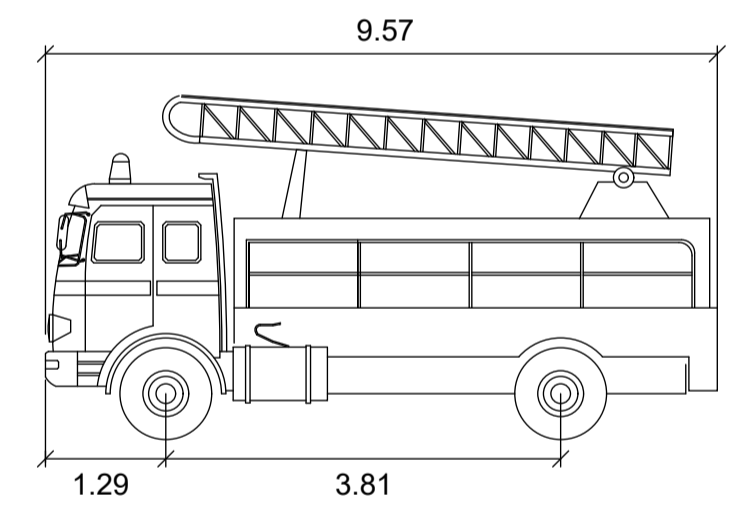


3 KEY PLAN
SCALE 1:1000



REFUSE 3 AXLE

Meters	
Width	: 2.50
Track	: 2.50
Lock to Lock Time	: 6.0 s
Steering Angle	: 35.3 deg



FIRE TENDER

Meters	
Width	: 2.52
Track	: 2.44
Lock to Lock Time	: 6.0 s
Steering Angle	: 33.1 deg
Articulating Angle	: -1.0 deg

FOR PLANNING PURPOSES ONLY

REV	DATE	DESCRIPTION	CHECKED

TPS TPS LTD.
RATHASKER ROAD, NAAS, CO. KILDARE
Tel: (045) 446892 Fax: (045) 446893
e-mail: tpsmoran@gmail.com

CLIENT AAI PALMERSTOWN LTD.	STAGE PLANNING
PROJECT ORCHARD GATE SHD	DWG NO. 120-A31-SP01
DRAWING CONTENT SWEEP PATH ASSESSMENTS	SCALE 1:200 @ A1 DATE 22-11-21 CHECKED MM DRAWN NF

— SITE BOUNDARY
— ADJOINING LANDS UNDER APPLICANT CONTROL

1:200 A1

VEHICLE MOVEMENTS **SHIPSEYBARRY**

PROJECT: ORCHARD GATE DATE: 11.2021 DRAWING DESCRIPTION: VEHICLE MOVEMENT PLAN CLIENT: AAI PALMERSTOWN LTD.
SCALE: 1:200 @ A1 CHECKED: MM DRAWN: NF