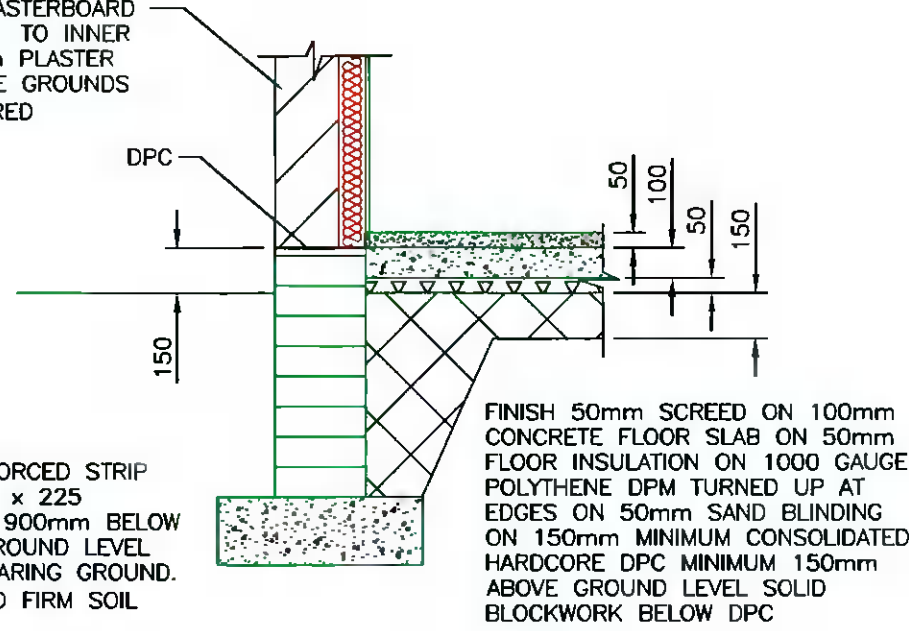
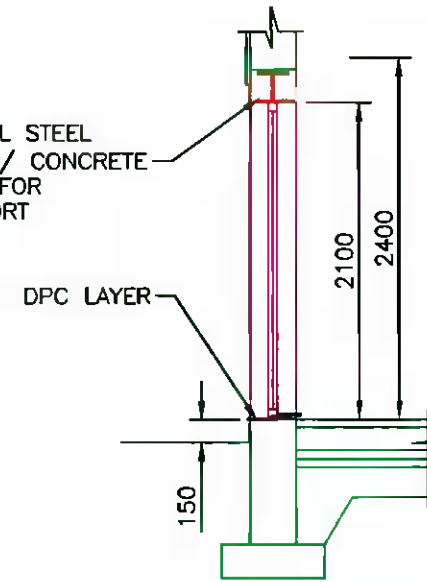


255 HOLLOW CONCRETE BLOCK FINISHED AS PER EXISTING HOUSE. 90mm XTRATHERM THIN-R/TLMF (FOILBACKED) BONDED TO 12.5 PLASTERBOARD MECHANICALLY FIXED TO INNER FACE AND WITH 6mm PLASTER SKIM FINISH. PROVIDE GROUNDS AS INDICATED/REQUIRED

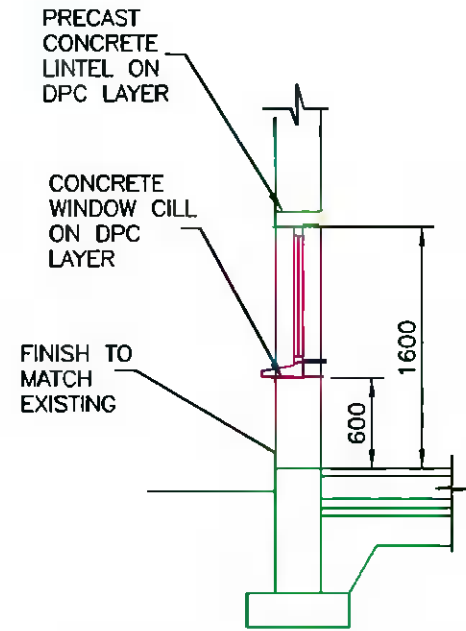


TYPICAL FOUNDATION DETAIL

INSTALL STEEL BEAM / CONCRETE HEAD FOR SUPPORT

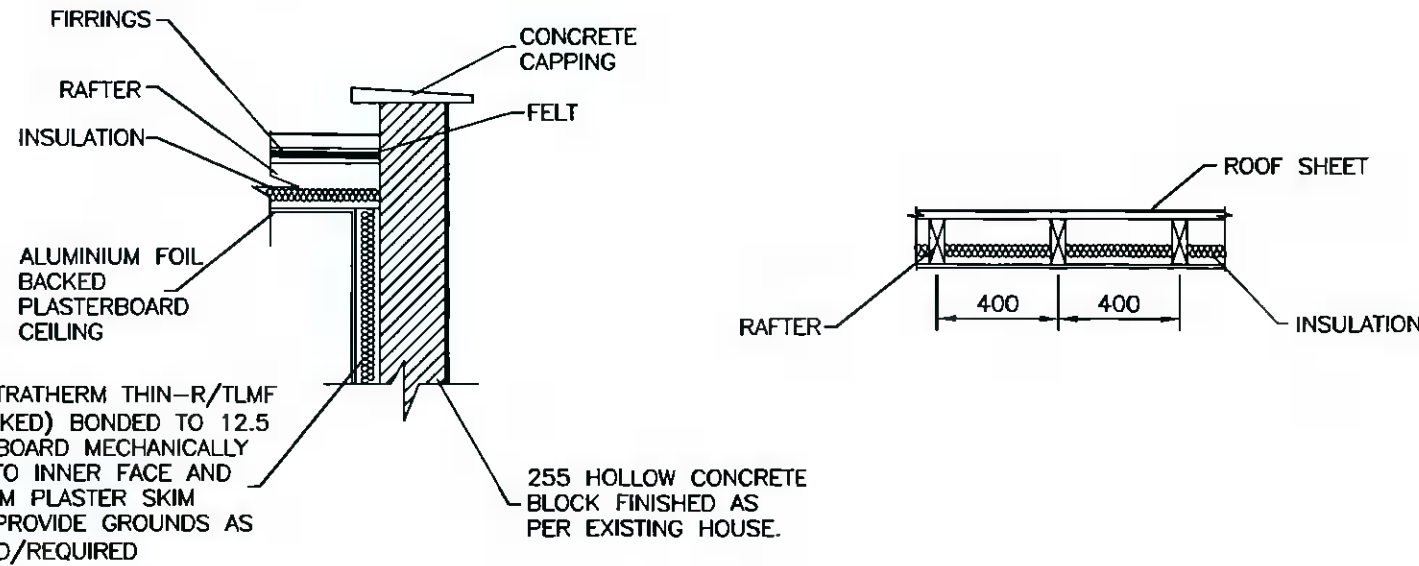


TYPICAL EXTERNAL DOOR DETAIL



TYPICAL WINDOW DETAIL

NOTE: FALL 5'



TYPICAL ROOF DETAIL



The information contained in this drawing is confidential and must not be divulged to any third party without the written consent of 4bes Design Services.



38 Larkfield Avenue
Lucan
Co. Dublin

7 Saggart Lakes
Coldwater Common,
Saggart, Co. Dublin
D24PY01

PROPOSED SECTION AND
DETAILS

DRAWN	JOHN FORBES , 38 LARKFIELD AVE. , LUCAN, Co. DUBLIN	
DATE	Dec 2021	Sean Keller
SCALE	1:50 @ A3	

SL - 5