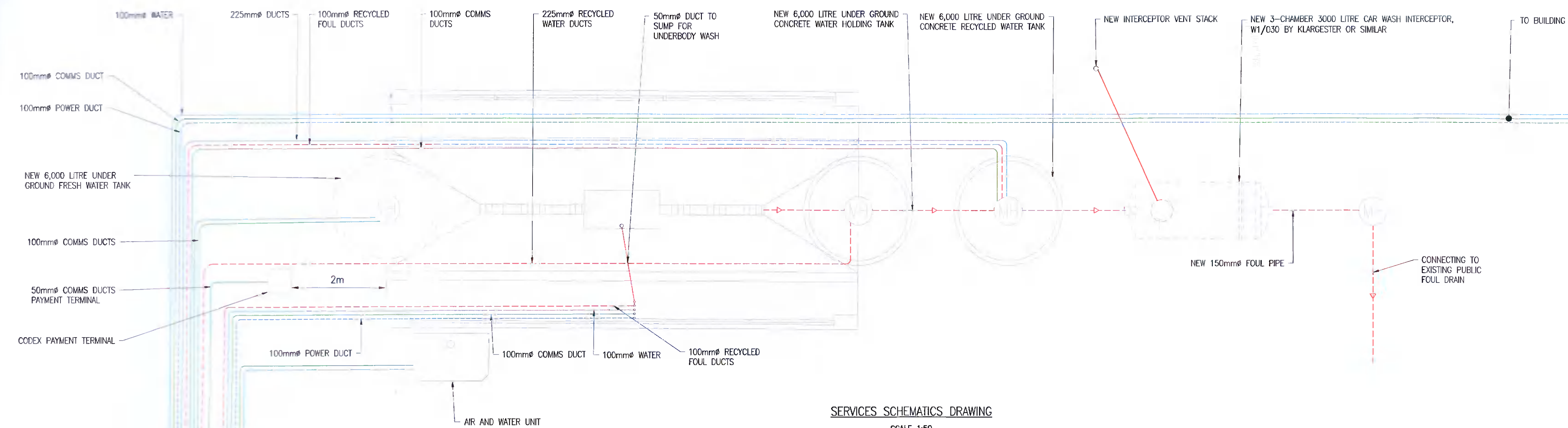


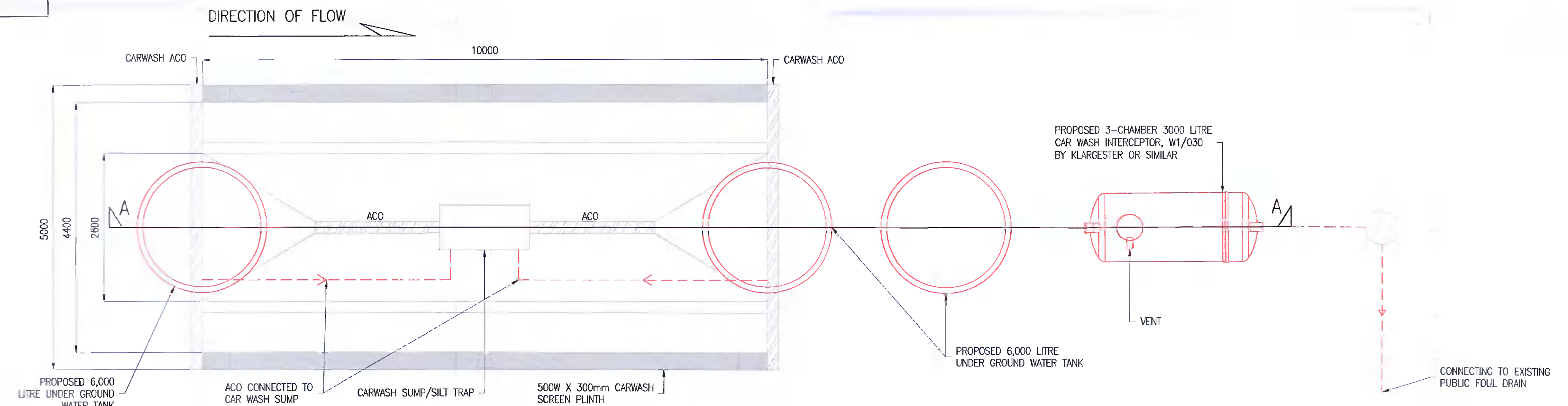
NOTES:
 THIS DRAWING IN WHOLE OR IN PART SHALL NOT BE COPIED WITHOUT THE PRIOR PERMISSION OF McArdle Doyle Ltd.
 ALL WORKS TO COMPLY WITH THE CURRENT BUILDING REGULATIONS.
 DO NOT SCALE.
 ORDNANCE SURVEY IRELAND LICENCE No. AR 0105719
 © ORDNANCE SURVEY IRELAND / GOVERNMENT OF IRELAND

LEGEND:
 — ELECTRICAL DUCT (POWER)
 — COMMUNICATIONS DUCT
 — FRESH WATER
 — FOUL WATER (RECYCLED)

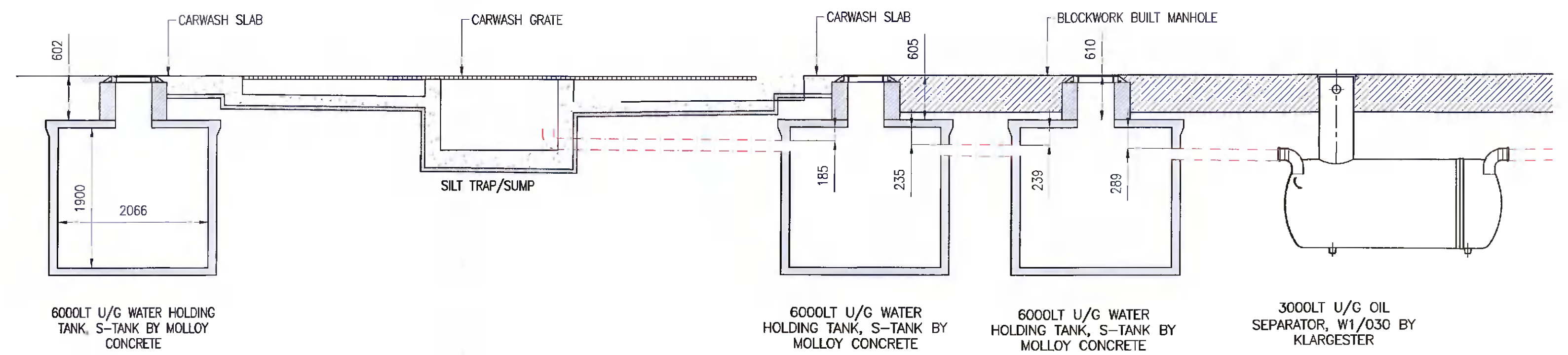


SERVICES SCHEMATICS DRAWING
 SCALE 1:50

*SCHEMATIC DRAWINGS FOR REFERENCE ONLY



WASH SLAB PLAN
 SCALE 1:50



SECTION A-A
 SCALE 1:50

ISSUED FOR PLANNING	GF 01.12.21
Rev. Description	By Date

McArdle Doyle
 Second Floor Exchange Building The Long Walk Dundalk, Co. Louth
 Chartered Engineers Architectural Services & Project Managers
 mail@mcardle-doyle.ie +353(0) 42 942 9062

PROJECT: PROPOSED CARWASH AT NINTH LOCK SERVICE STATION



DRAWING TITLE: SERVICES SCHEMATIC & CARWASH INFRASTRUCTURE DRAWING

Date 01/12/21	Drawn GF	Checked RMcA	Approved RMcA
Scale at A1 1:125	Drawing Number P2177.NIN.C13	Status PL	Rev. -