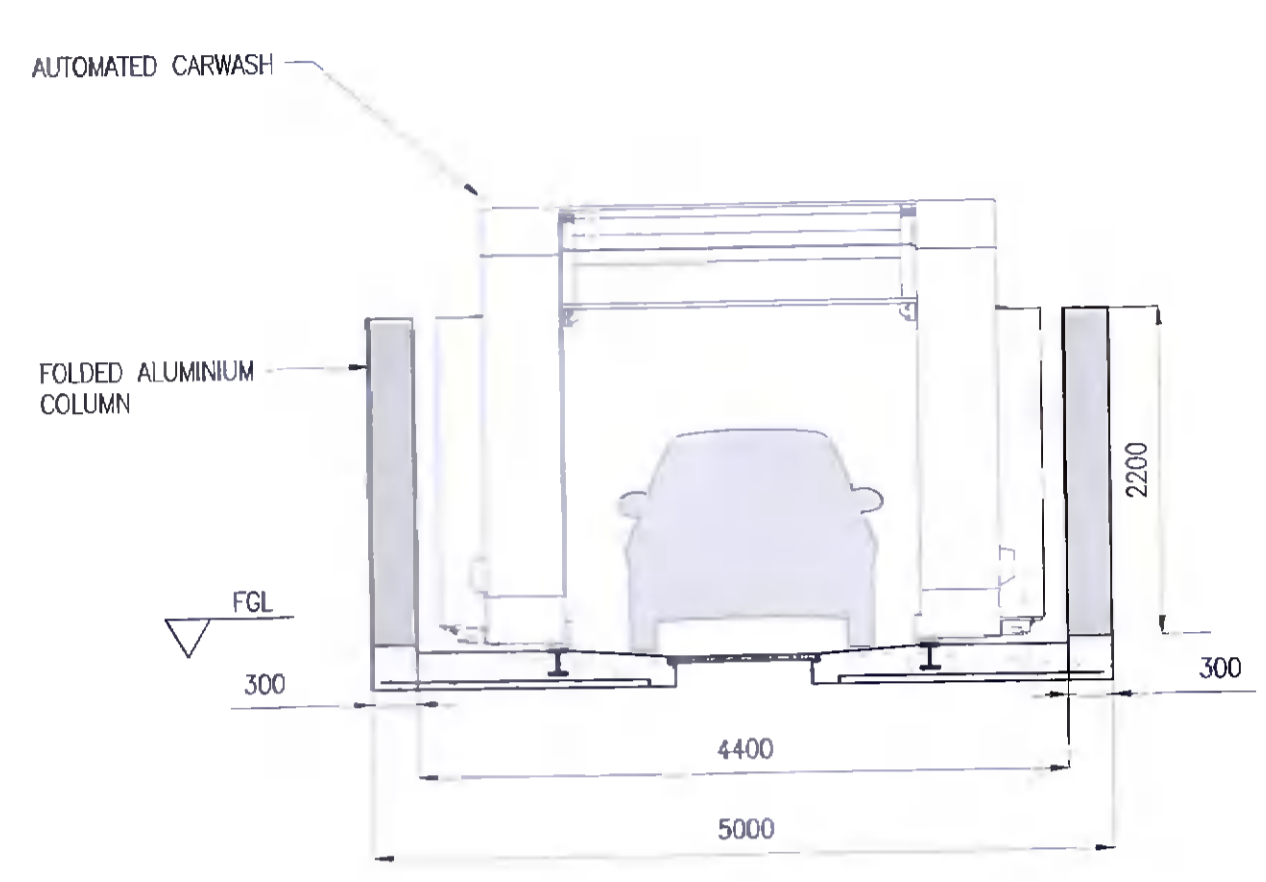


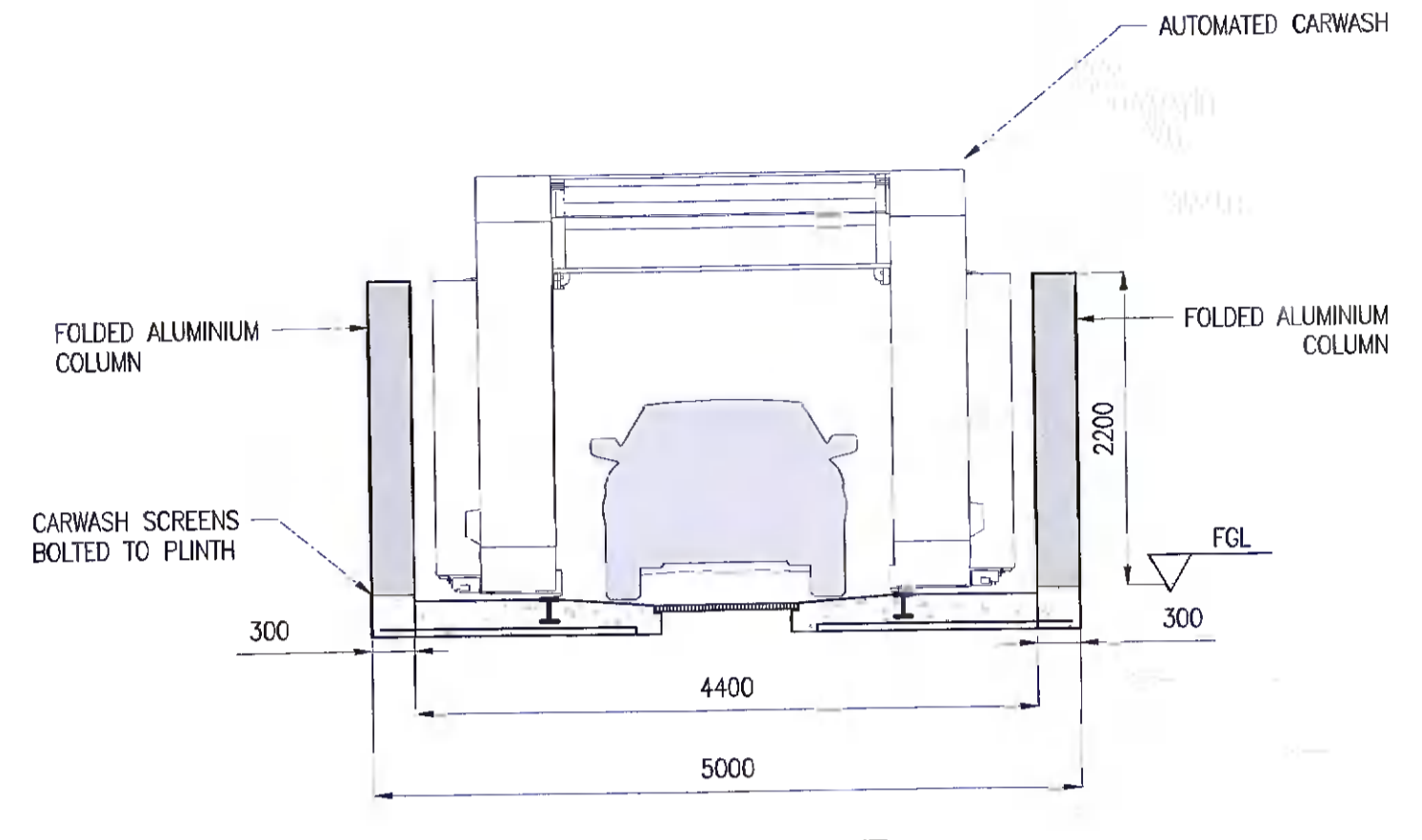


NOTES:
 THIS DRAWING IN WHOLE OR IN PART SHALL NOT BE COPIED WITHOUT THE PRIOR PERMISSION OF McARDLE DOYLE LTD.
 ALL WORKS TO COMPLY WITH THE CURRENT BUILDING REGULATIONS.
 DO NOT SCALE.
 ORDNANCE SURVEY IRELAND LICENCE No. AR 0105719
 © ORDNANCE SURVEY IRELAND / GOVERNMENT OF IRELAND

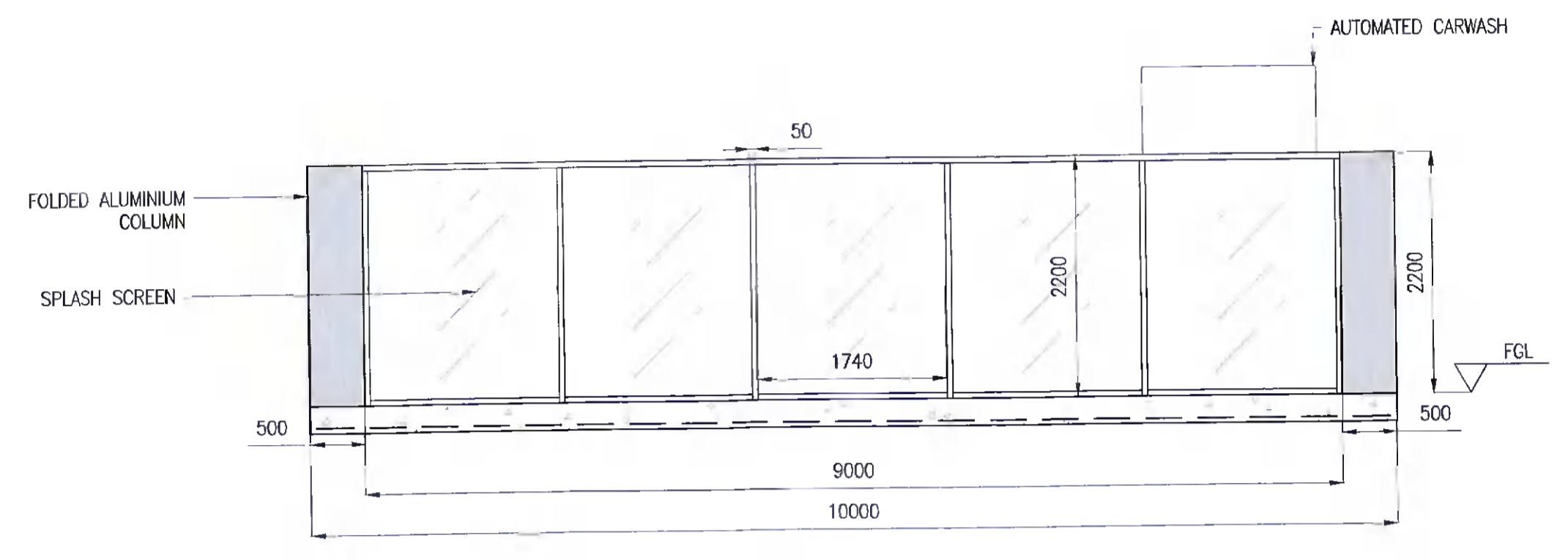
LEGEND



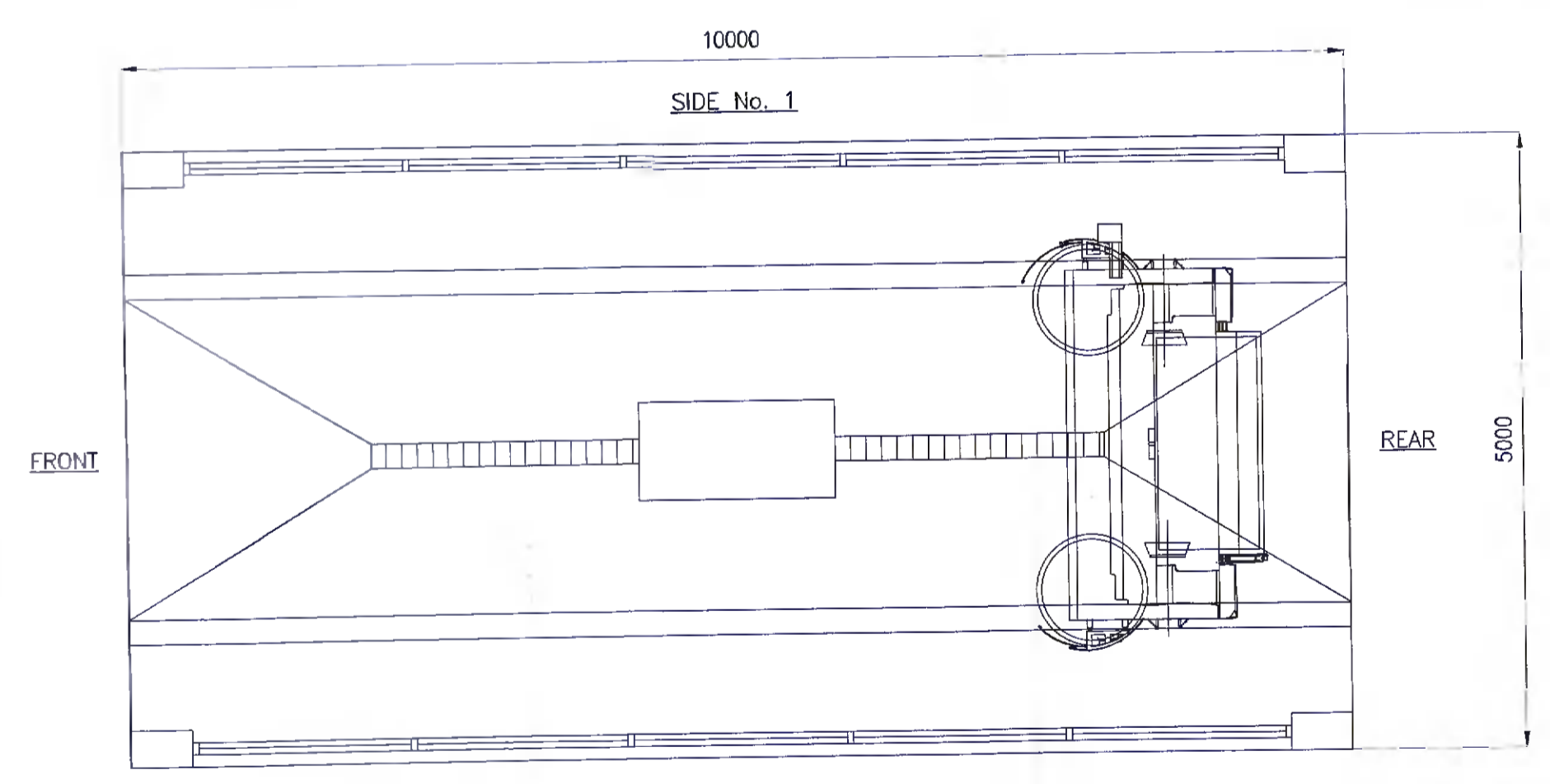
CAR WASH REAR
 SCALE 1:50



CAR WASH FRONT
 SCALE 1:50



CAR WASH SIDE
 SCALE 1:50



CAR WASH KEY PLAN
 SCALE 1:50

Rev.	Description	By	Date
-	ISSUED FOR PLANNING	GF	01.12.21

McArdle Doyle
 Second Floor Exchange Building The Long Walk Dundalk, Co. Louth

Chartered Engineers
 Architectural Services & Project Managers
 mail@mcardedoyle.ie +353(0) 42 942 9052

PROJECT: PROPOSED CARWASH AT NINTH LOCK SERVICE STATION

CLIENT:

DRAWING TITLE: CARWASH SCREEN ELEVATIONS

Date	Drawn	Checked	Approved
01/12/21	GF	RMcA	RMcA
Scale at A1	Drawing Number	Status	Rev.
1:125	P2177.NIN.C012	PL	-