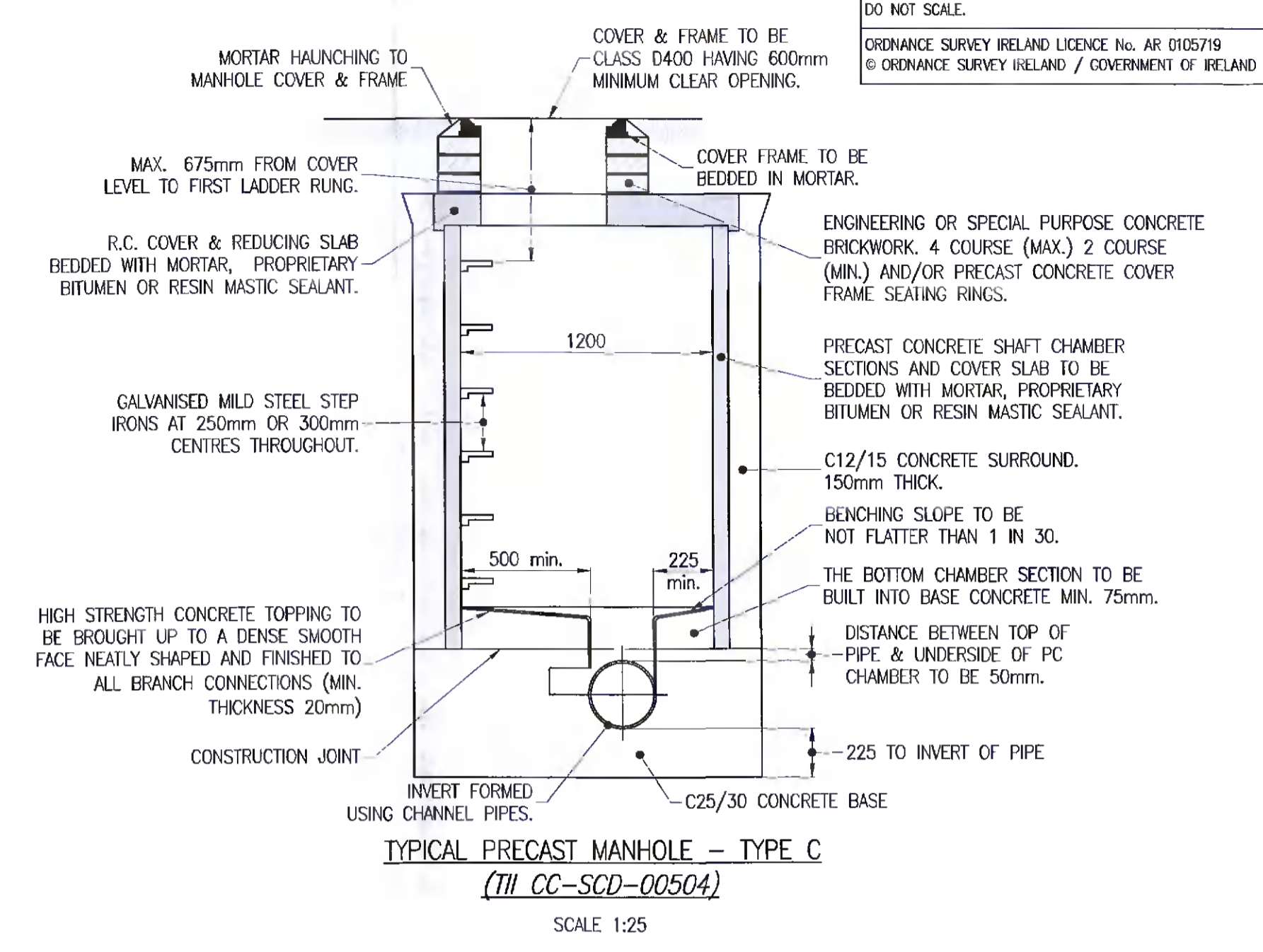
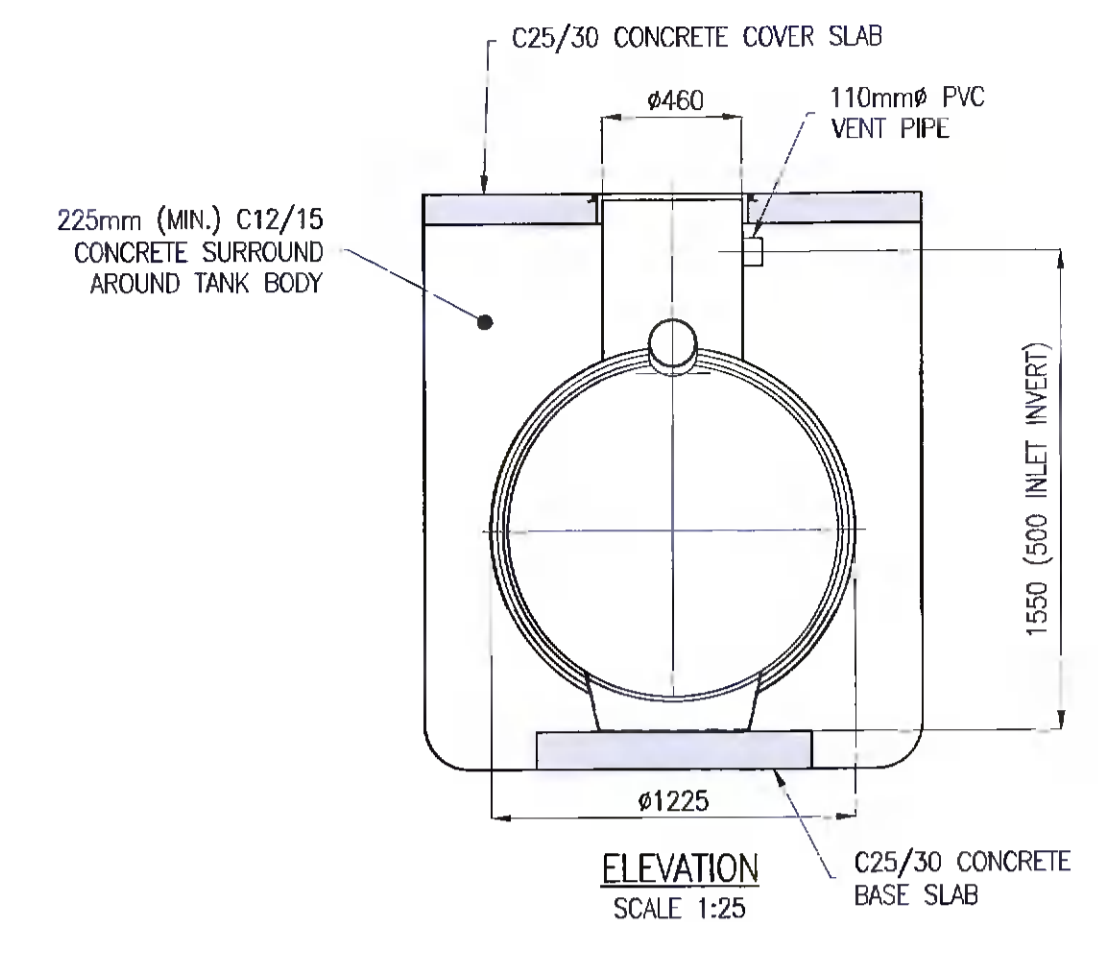
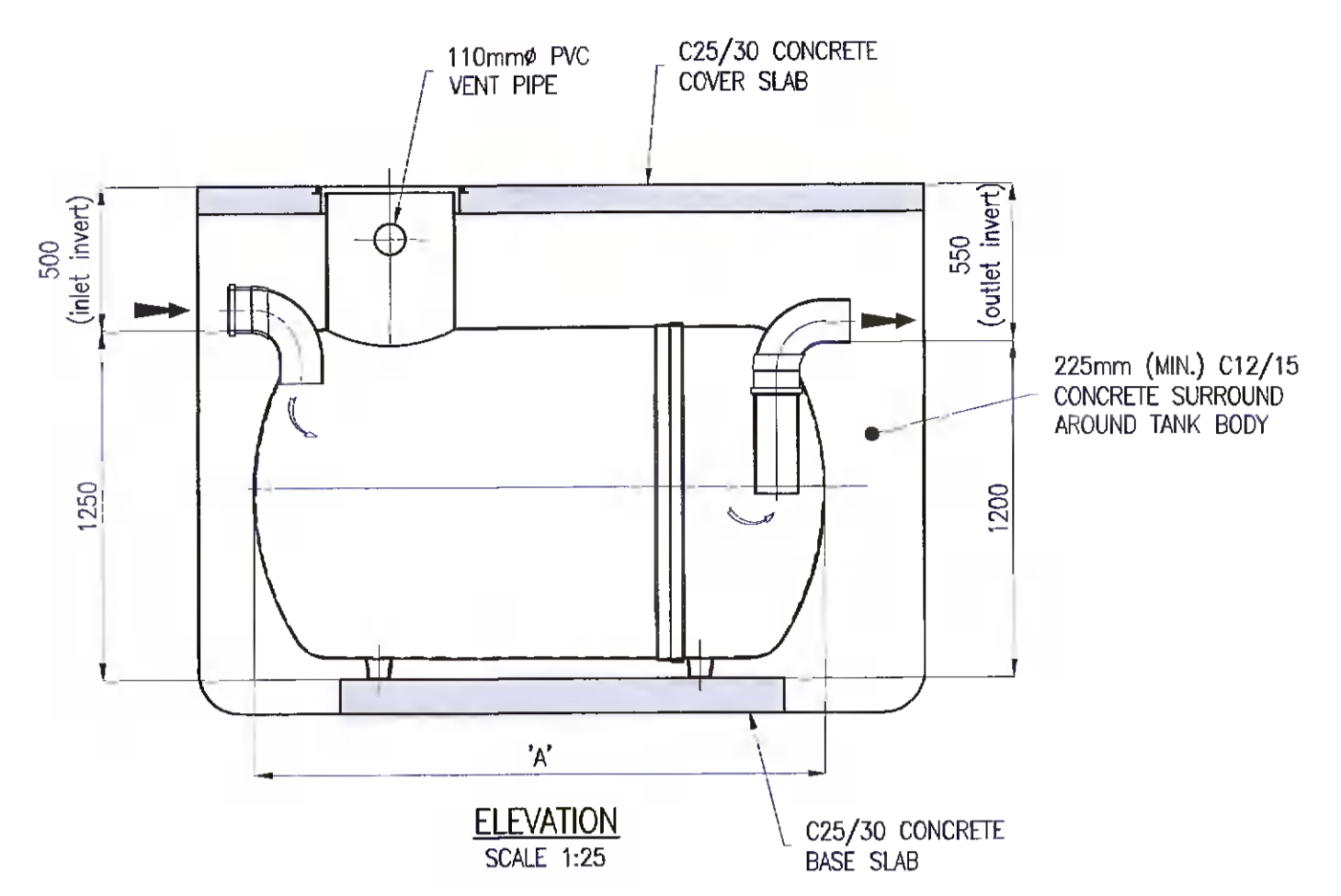
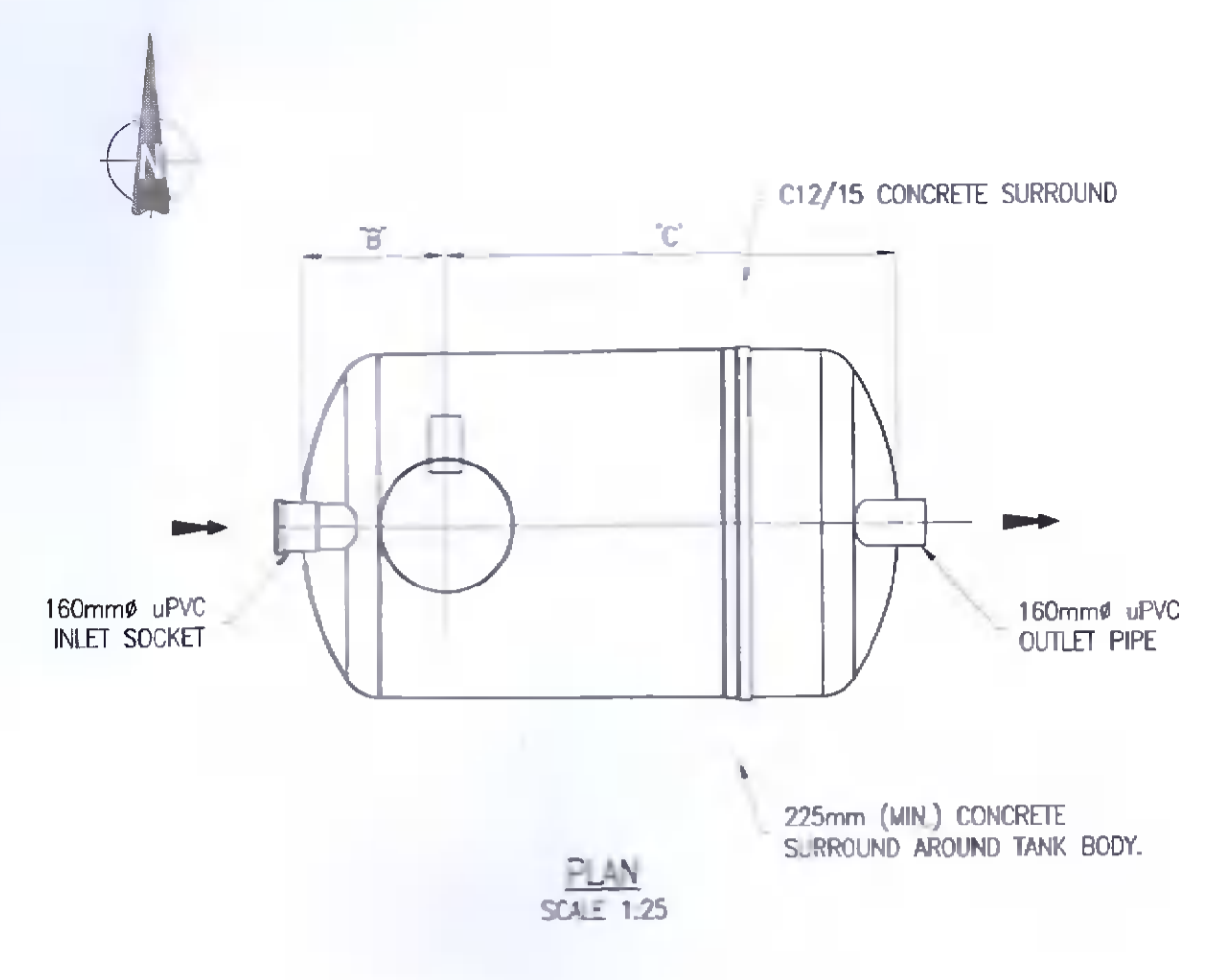


NOTES:
 THIS DRAWING IN WHOLE OR IN PART SHALL NOT BE COPIED WITHOUT THE PRIOR PERMISSION OF McArdle DOYLE LTD.
 ALL WORKS TO COMPLY WITH THE CURRENT BUILDING REGULATIONS.
 DO NOT SCALE.
 ORDNANCE SURVEY IRELAND LICENCE No. AR 0105719
 © ORDNANCE SURVEY IRELAND / GOVERNMENT OF IRELAND



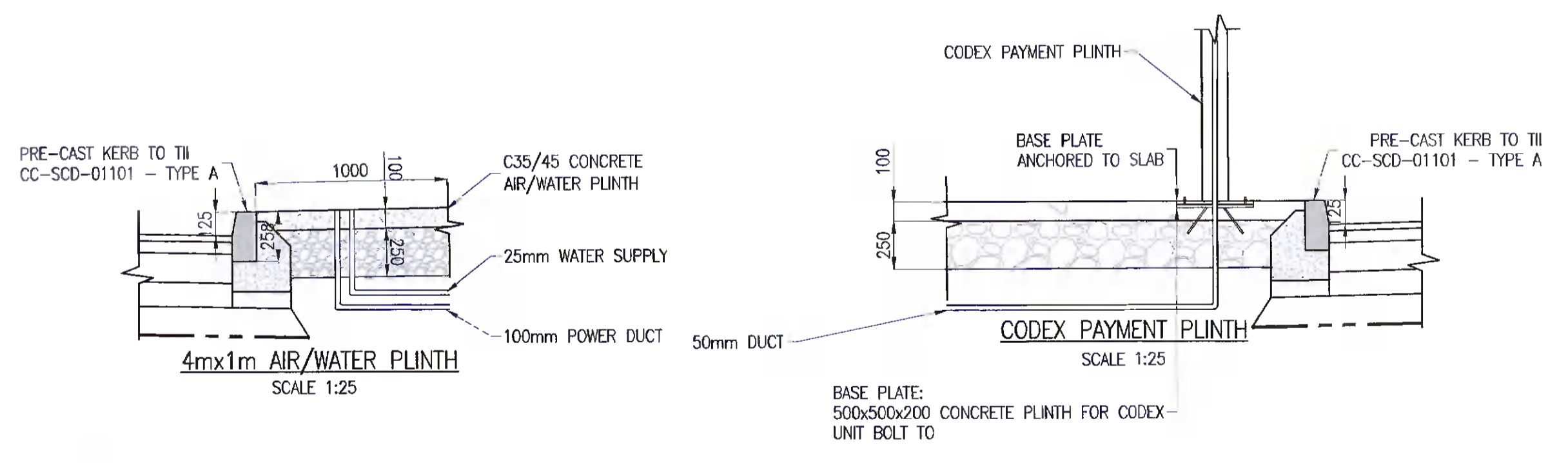
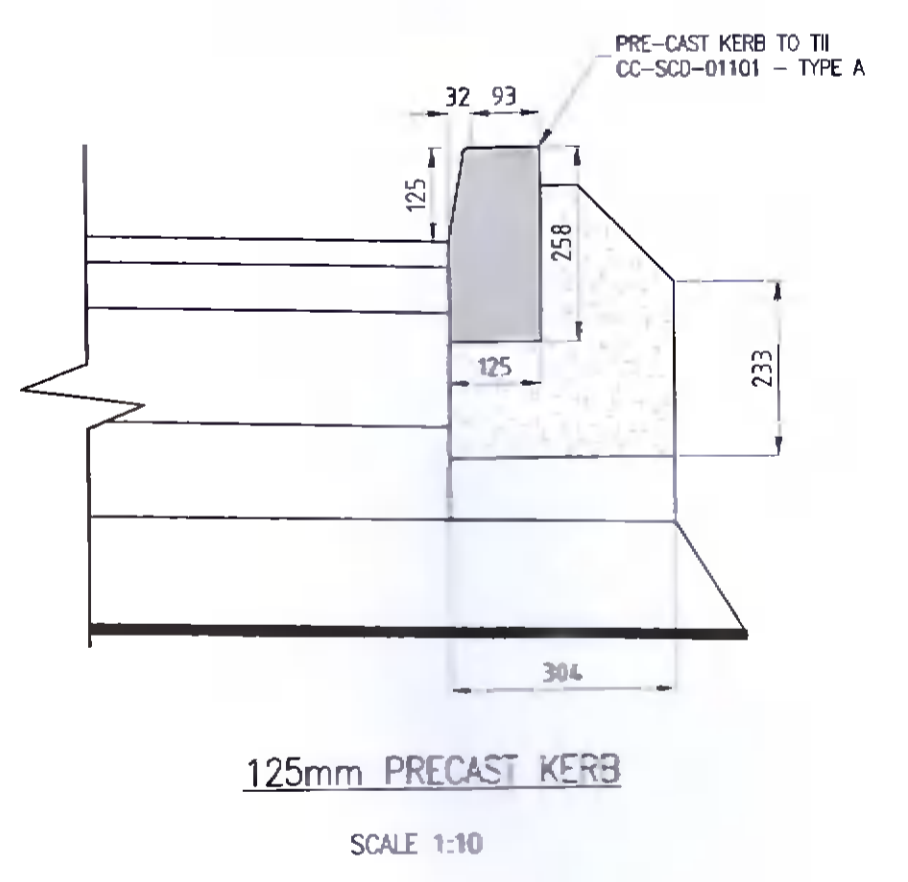
- NOTES**
- UNITS CAN BE SUPPLIED WITH EXTENSION SHAFTS IN 0.5m INCREMENTS.
 - STANDARD INLET / OUTLET PIPES ARE PVC; UNDERGROUND DRAINAGE TO BS4660. FOR OTHER PIPE SIZES AND TYPES AVAILABLE CONSULT KLARGESTER.
 - STANDARD IN-LINE ORIENTATION SHOWN. FOR OTHER ORIENTATIONS SEE DOCUMENT TDS0033.
 - IT IS ESSENTIAL THAT THIS DRAWING IS READ IN CONJUNCTION WITH THE INSTALLATION INSTRUCTIONS (SUPPLIED WITH UNIT). THIS DRAWING SHOULD BE USED FOR DIMENSIONAL INFORMATION ONLY.

CARWASH SEPARATOR DETAILS
 KLARGESTER W1/030

DIMENSIONS

UNIT REF No.	DIM 'A'	DIM 'B'	DIM 'C'	WORKING CAPACITY	APPROX. WEIGHT		FALL ACROSS UNIT
					EMPTY	FULL	
W1/030	2952	700	2252	3005L	95 Kg	3100 Kg	50

MAIN CONTRACTOR TO SUPPLY AND INSTALL ALL SEPARATORS



Rev.	Description	By	Date
-	ISSUED FOR PLANNING	GF	01.12.21

McArdle Doyle
 Second Floor Exchange Building The Long Walk Dundalk, Co. Louth

Chartered Engineers Architectural Services & Project Managers
 mail@mcardle-doyle.ie +353(0) 42 942 9052

PROJECT: PROPOSED CARWASH AT SERVICE STATION NINTH LOCK

CLIENT:

DRAWING TITLE: FORECOURT DEATILS

Date	Drawn	Checked	Approved
01/12/21	GF	RMcA	RMcA
Scale at A1 AS SHOWN	Drawing Number P2177.NIN.C10	Status PL	Rev. -