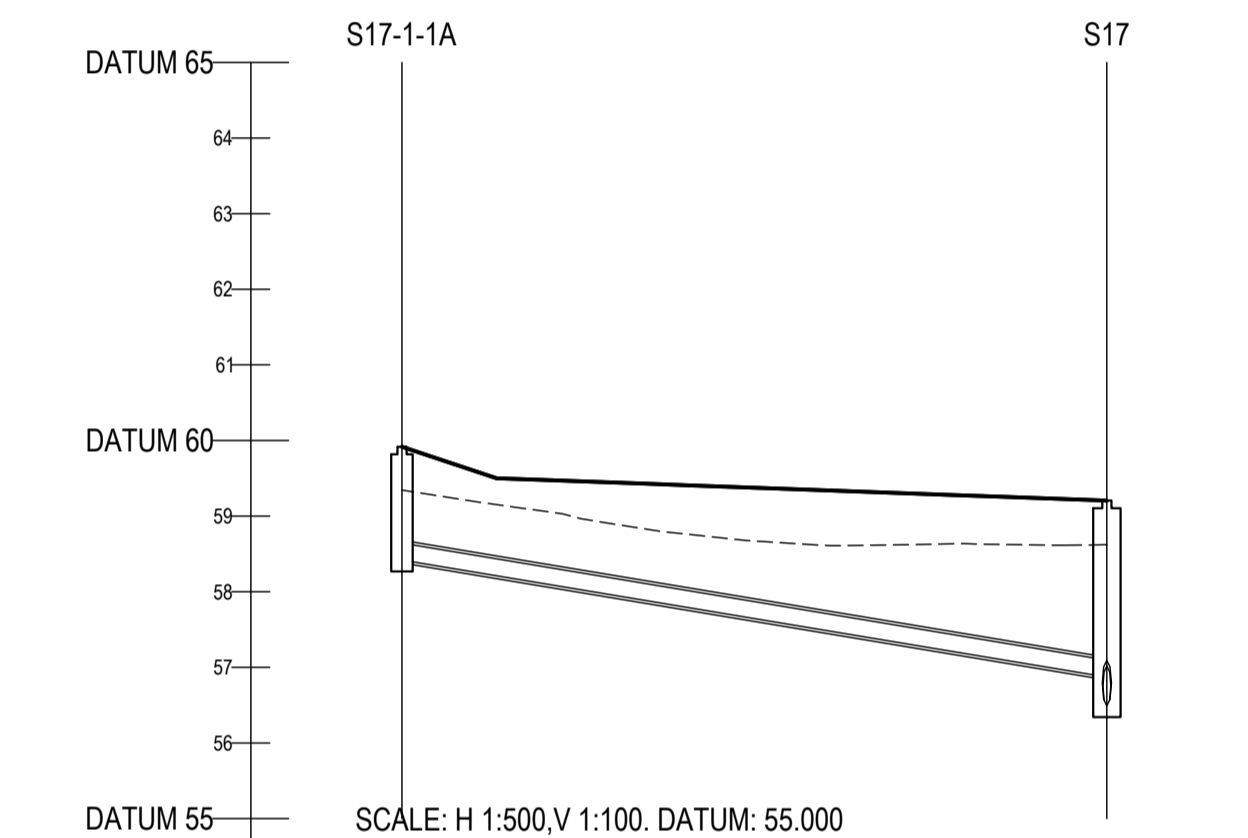
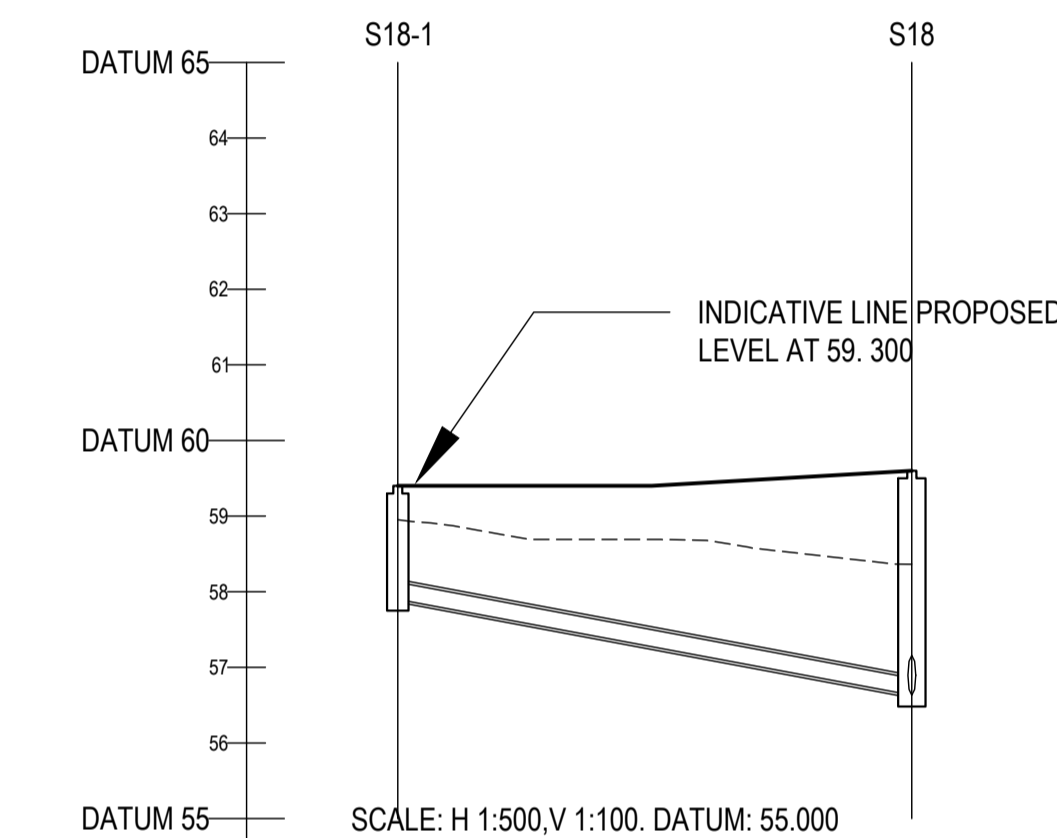


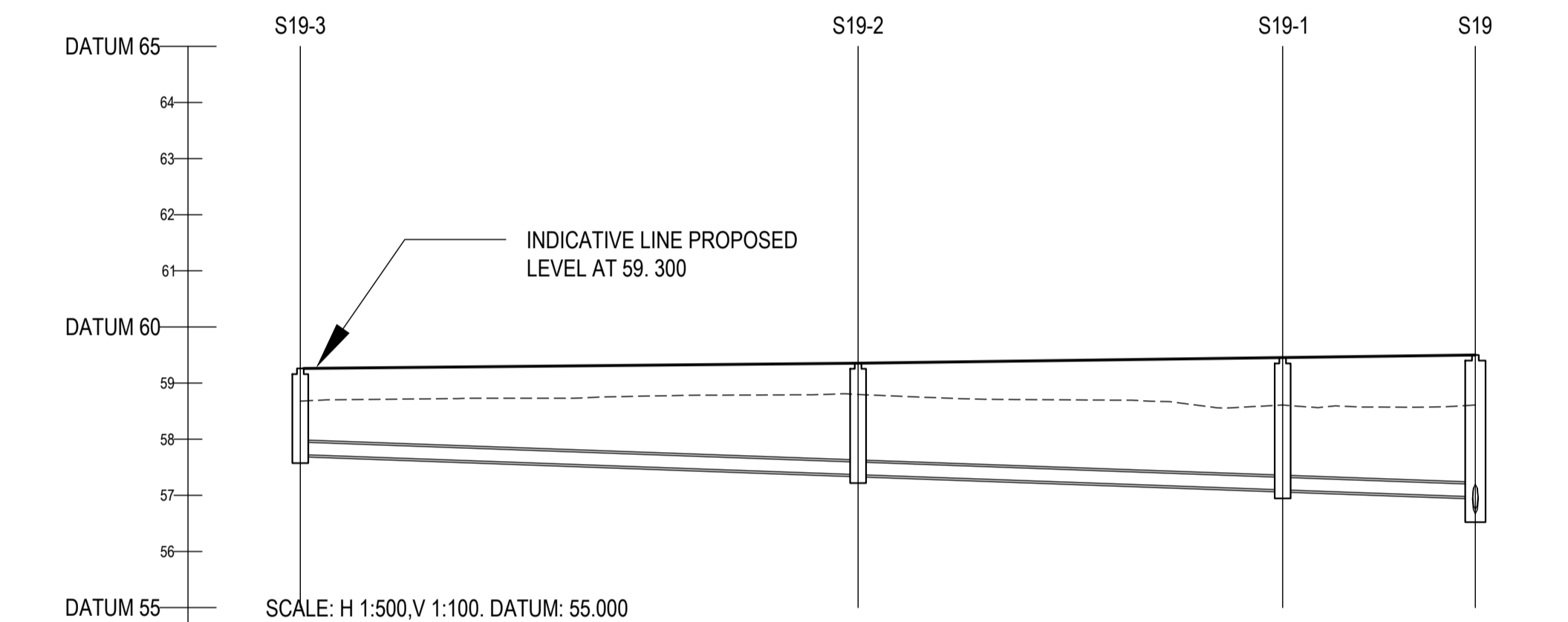
COVER LEVEL	59.460	59.290	59.481	59.860	59.205
INVERT LEVEL	57.686	57.402 57.327	57.046 57.046	56.712 56.712	56.492
DEPTH (m)	1.775	1.923	2.435	2.228	2.713
DISTANCE (m)		68.37	67.81	75.80	58.15
PIPE SLOPE		1.242	1.241	1.241	1.242
PIPE SIZE		525mm	600mm	600mm	600mm



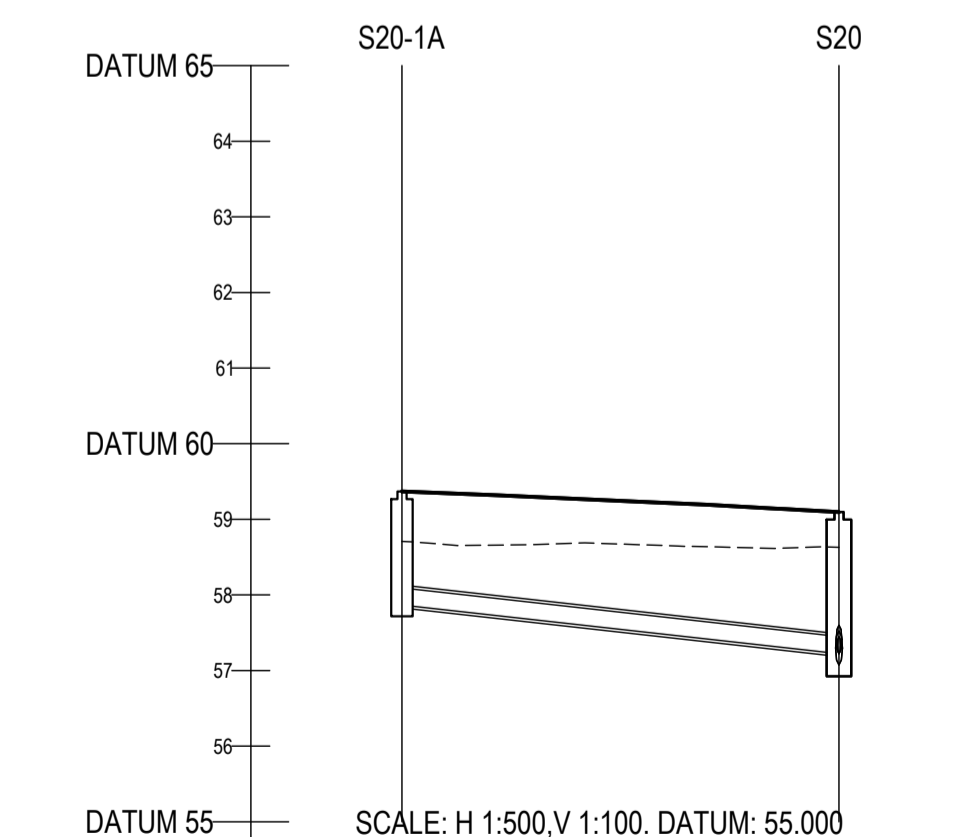
COVER LEVEL	59.916	59.205
INVERT LEVEL	58.416	56.871
DEPTH (m)	1.500	2.713
DISTANCE (m)	46.62	
PIPE SLOPE	1.30	
PIPE SIZE	225mm	



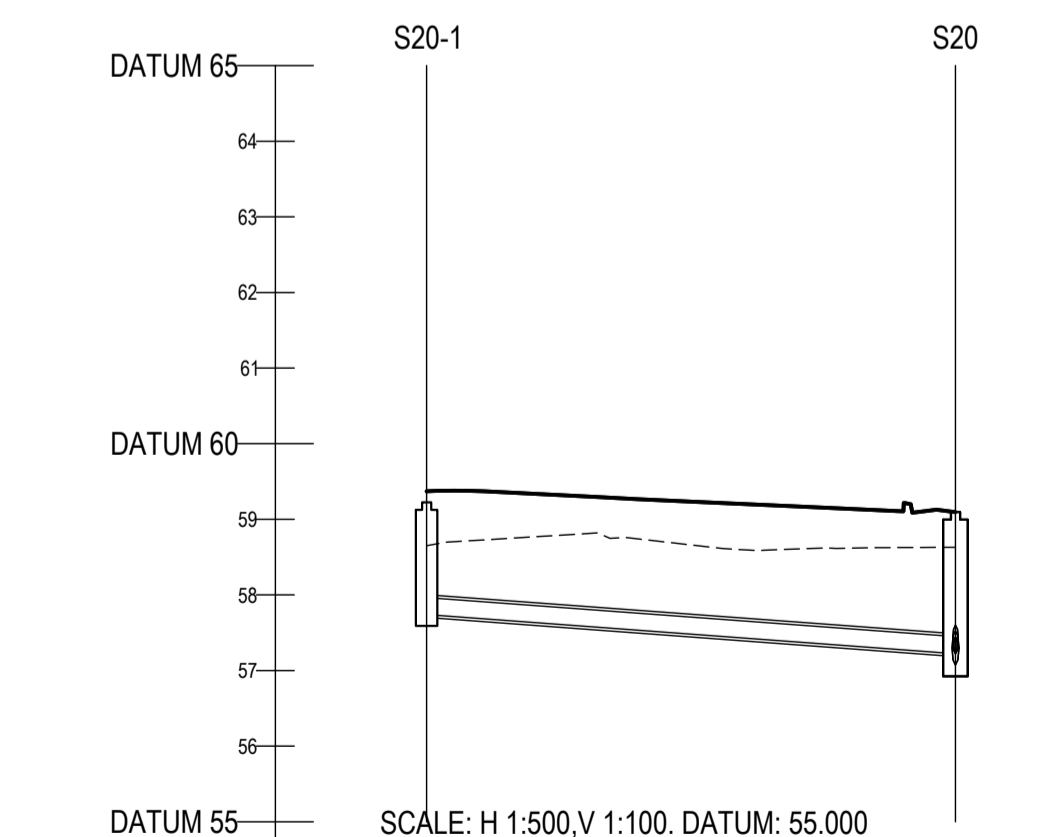
COVER LEVEL	59.400	59.600
INVERT LEVEL	57.900	56.632
DEPTH (m)	1.500	2.968
DISTANCE (m)	34.00	
PIPE SLOPE	1.27	
PIPE SIZE	225mm	



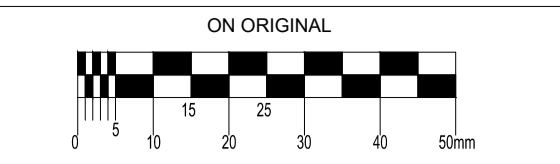
COVER LEVEL	59.260	59.365	59.450	59.500
INVERT LEVEL	57.725	57.368 57.368	57.096 57.096	56.973
DEPTH (m)	1.535	1.997	2.354	2.527
DISTANCE (m)		49.67	37.80	17.16
PIPE SLOPE		1.139	1.139	1.139
PIPE SIZE		225mm	225mm	225mm



COVER LEVEL	59.267	59.096
INVERT LEVEL	57.867	57.223
DEPTH (m)	1.500	2.023
DISTANCE (m)	28.90	
PIPE SLOPE	1.45	
PIPE SIZE	225mm	



COVER LEVEL	59.224	59.096
INVERT LEVEL	57.740	57.223
DEPTH (m)	1.484	2.023
DISTANCE (m)	34.98	
PIPE SLOPE	1.68	
PIPE SIZE	225mm	



© COPYRIGHT OF THIS DRAWING IS RESERVED BY DBFL CONSULTING ENGINEERS. NO PART SHALL BE REPRODUCED OR TRANSMITTED WITHOUT THEIR WRITTEN PERMISSION.
NO CHANGES OF WHATSOEVER NATURE ARE TO BE MADE TO ANY DETAILS SET OUT OR CONTAINED IN ANY DBFL SPECIFICATIONS OR DRAWINGS UNLESS THE EXPRESS CONSENT HAS BEEN OBTAINED IN ADVANCE, IN WRITING, FROM DBFL.

- NOTES:
1. ALL DRAWINGS TO BE CHECKED BY CONTRACTOR ON SITE AND ENGINEER INFORMED OF DISCREPANCIES BEFORE WORK COMMENCES
 2. ALL LEVELS ARE IN METRES AND ARE RELATED TO ORDNANCE DATUM
 3. CONTRACTOR SHALL SATISFY HIMSELF AS TO THE ACCURACY OF PAVEMENT LEVELS ON SITE PRIOR TO COMMENCEMENT OF WORKS ON SITE
 4. ALL WORKS TO BE CONSTRUCTED IN ACCORDANCE WITH THE NRA SPECIFICATION FOR ROAD WORKS UNLESS NOTED OTHERWISE
 5. THIS DRAWING IS FOR PLANNING PURPOSES ONLY
 6. MANHOLE COVER LEVELS ARE TO CONFORM WITH FINISHED ROAD AND PATH LEVELS
 7. WHERE COVER TO PIPE IS LESS THAN 100mm (ROAD/PATH VERGE) OR 900mm (OPEN SPACE) SURROUND PIPE IN MINIMUM 150mm CONCRETE

KEY
 - - - - - EXISTING GROUND PROFILE
 _____ PROPOSED GROUND PROFILE

ORDNANCE SURVEY IRELAND LICENCE
 No EN 0017921
 © ORDNANCE SURVEY IRELAND
 GOVERNMENT OF IRELAND

P01	17-11-21	ISSUED FOR PLANNING	DKE	JPC
rev	date	description	by	chkd.
		A - Approved		
		B - Approved with comments		
		C - Do not use		

DBFL Consulting Engineers
 Civil, Structural & Transportation Engineering
 www.dbfl.ie

DUBLIN OFFICE: Ormond House, Upper Ormond Quay, Dublin 7, D07 W704
 PHONE: +353 1 454 4000
 CORK OFFICE: 14 South Mall, Cork, T12 CT91
 PHONE: +353 21 2024538
 WATERFORD OFFICE: Suite 10 The Arkun, Maritime Gate, Canada Street, Waterford, X91 WC28
 PHONE: +353 51 309 500

project ref.
CLONBURRIS PHASE 1A
 drawing title
**LONGITUDINAL SECTIONS THROUGH
 STORM WATER SEWERS SHEET 4
 SHEET 2**

client
CAIRN HOMES LTD

designed by	author	scale	sheet size
TCA	DKE	AS NOTED	A1
drawing no.	revision		
162119-DBFL-SW-DR-C-3304	P01		