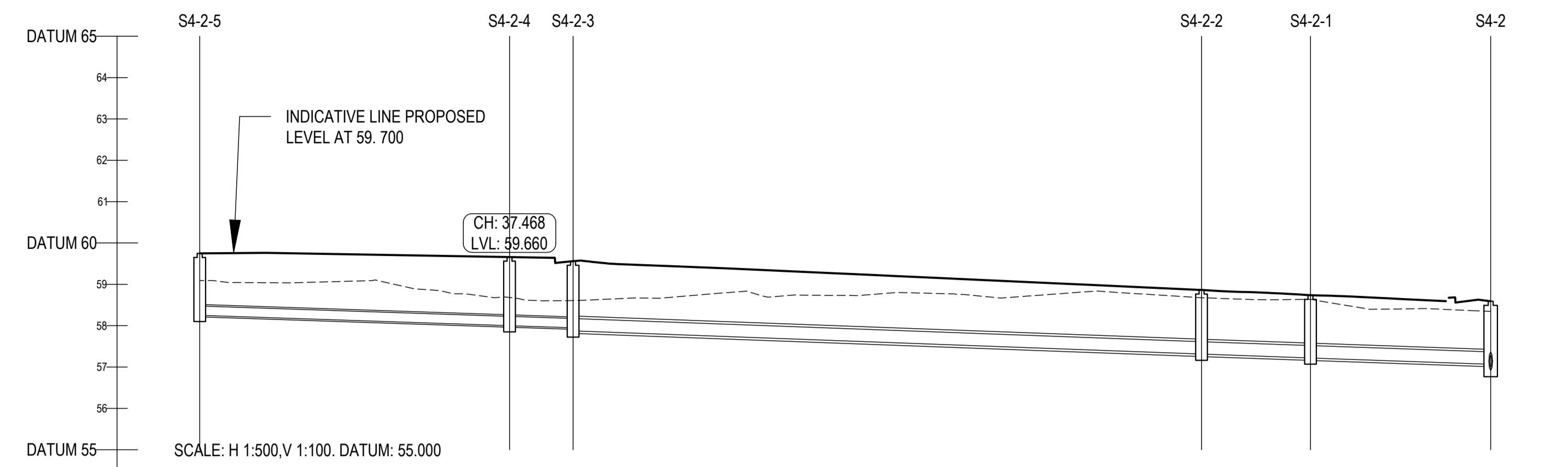
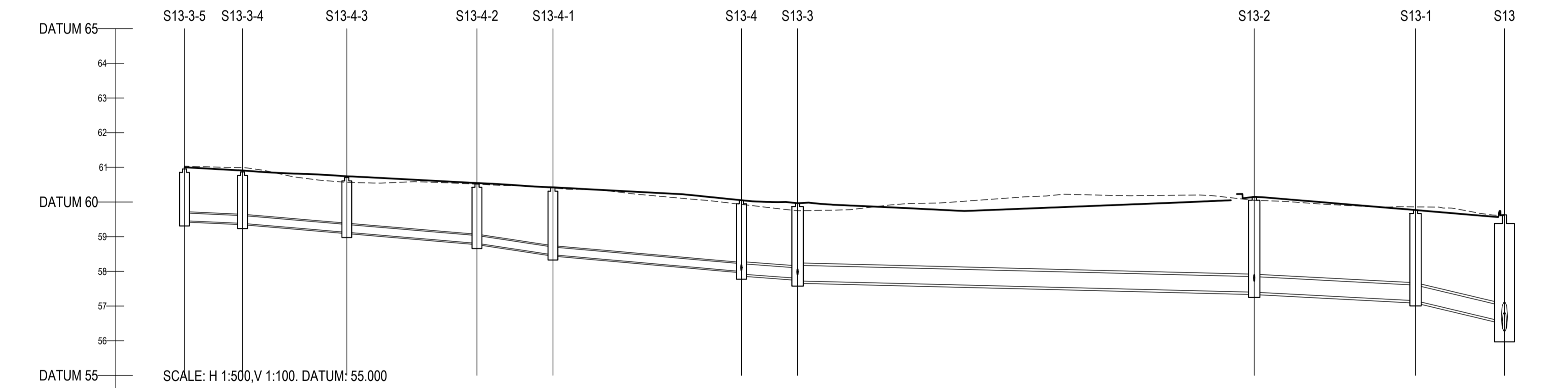


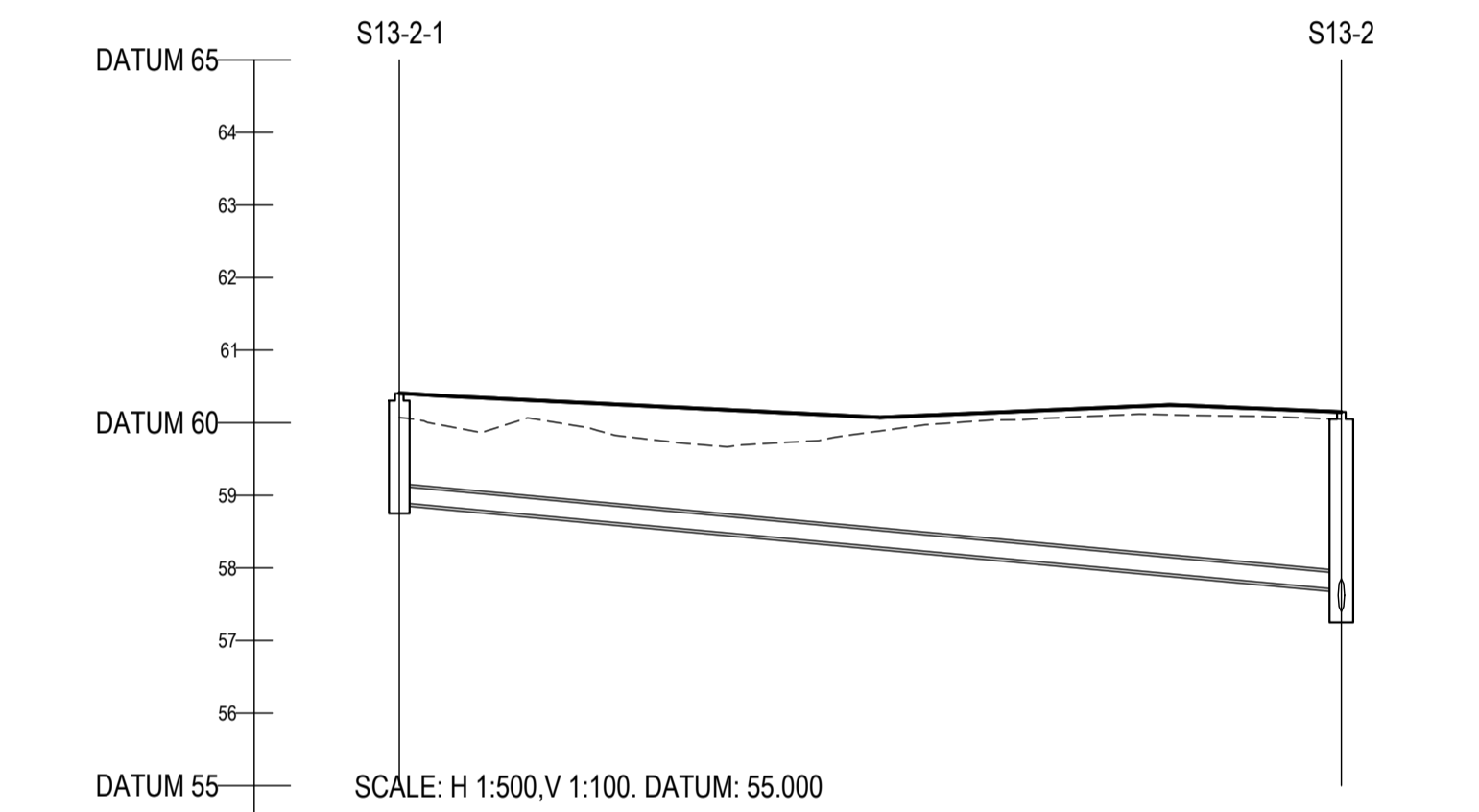
| COVER LEVEL | 58.500 | 58.400 |
|--------------|--------|--------|
| INVERT LEVEL | 58.614 | 57.990 |
| DEPTH (m) | 3.000 | 1.500 |
| DISTANCE (m) | 58.66 | |
| PIPE SLOPE | 1:43 | |
| PIPE SIZE | 225mm | |



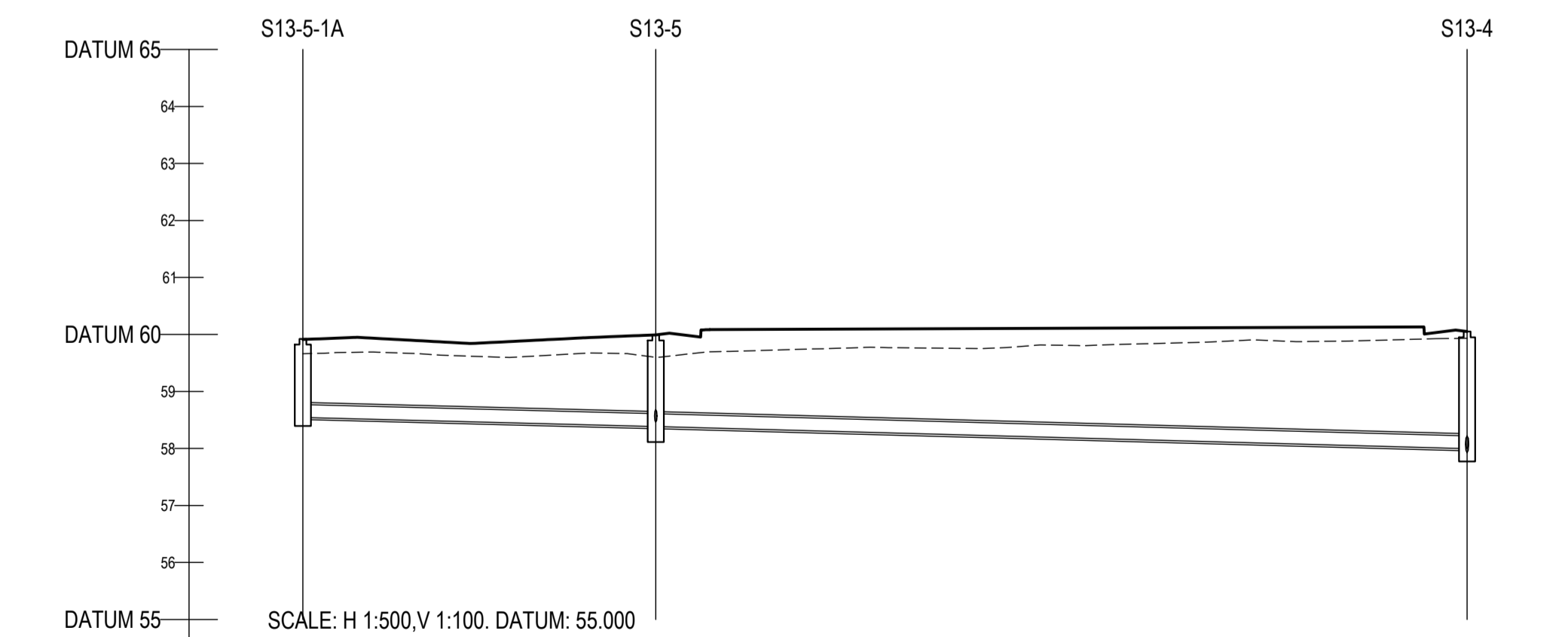
| COVER LEVEL | 59.750 | 59.660 | 59.561 | 58.865 | 58.736 | 58.952 |
|--------------|--------|--------|--------|--------|--------|--------|
| INVERT LEVEL | 59.220 | 59.000 | 58.800 | 57.313 | 57.219 | 57.096 |
| DEPTH (m) | 1.500 | 1.660 | 1.861 | 1.552 | 1.517 | 1.876 |
| DISTANCE (m) | 25.000 | 53.000 | 25.001 | 25.003 | 25.004 | 25.002 |
| PIPE SLOPE | 1:150 | 1:151 | 1:135 | 1:140 | 1:142 | |
| PIPE SIZE | 225mm | 225mm | 300mm | 300mm | 300mm | |



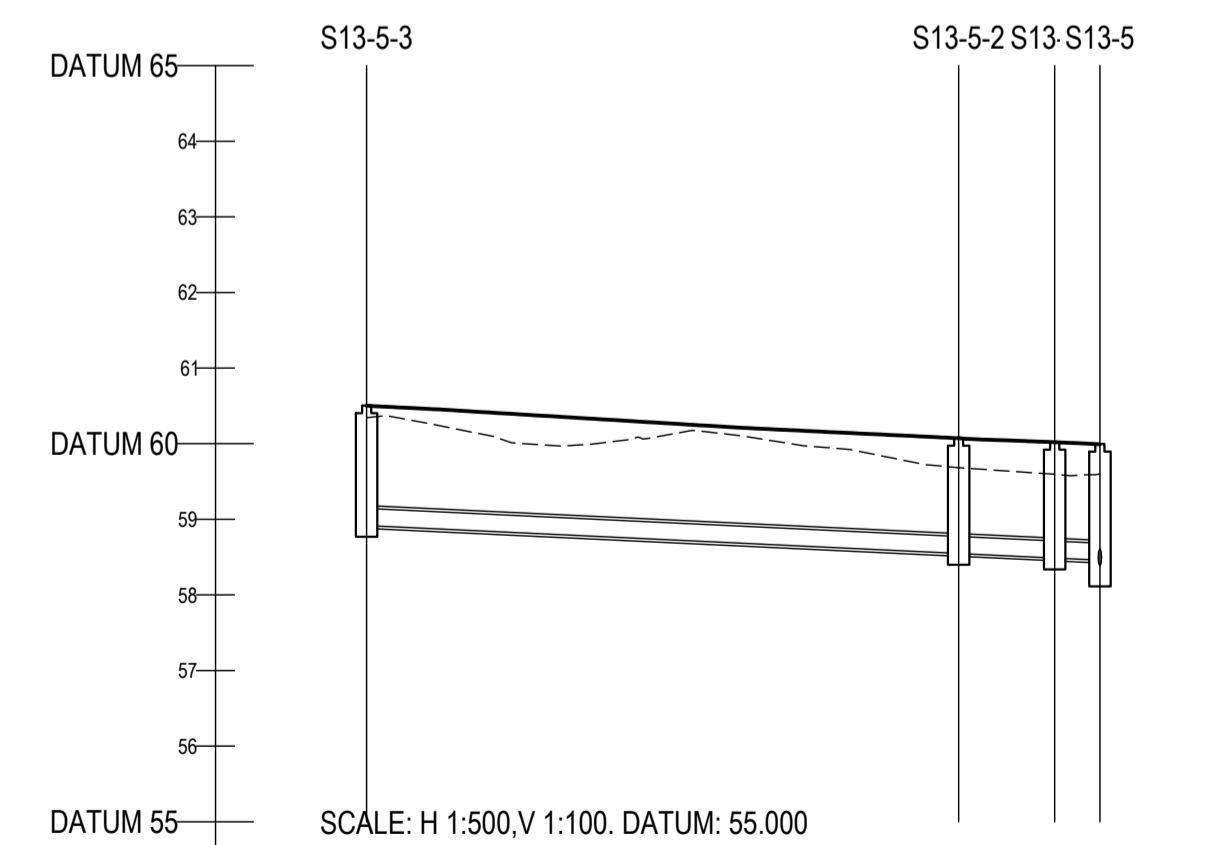
| COVER LEVEL | 60.953 | 60.868 | 60.709 | 60.525 | 60.410 | 60.051 | 59.966 | 60.150 | 59.789 | 59.630 |
|--------------|--------|--------|--------|--------|--------|--------|--------|--------|--------|--------|
| INVERT LEVEL | 59.650 | 59.384 | 59.127 | 58.809 | 58.477 | 57.997 | 57.800 | 57.400 | 57.154 | 56.544 |
| DEPTH (m) | 1.463 | 1.484 | 1.582 | 1.716 | 1.933 | 2.129 | 2.243 | 2.750 | 2.615 | 3.386 |
| DISTANCE (m) | 8.37 | 15.02 | 18.75 | 10.94 | 27.16 | 8.09 | 65.80 | 23.24 | 12.82 | |
| PIPE SLOPE | 1:110 | 1:58 | 1:59 | 1:33 | 1:57 | 1:66 | 1:202 | 1:94 | 1:21 | |
| PIPE SIZE | 225mm | 225mm | 225mm | 225mm | 225mm | 300mm | 450mm | 450mm | 450mm | |



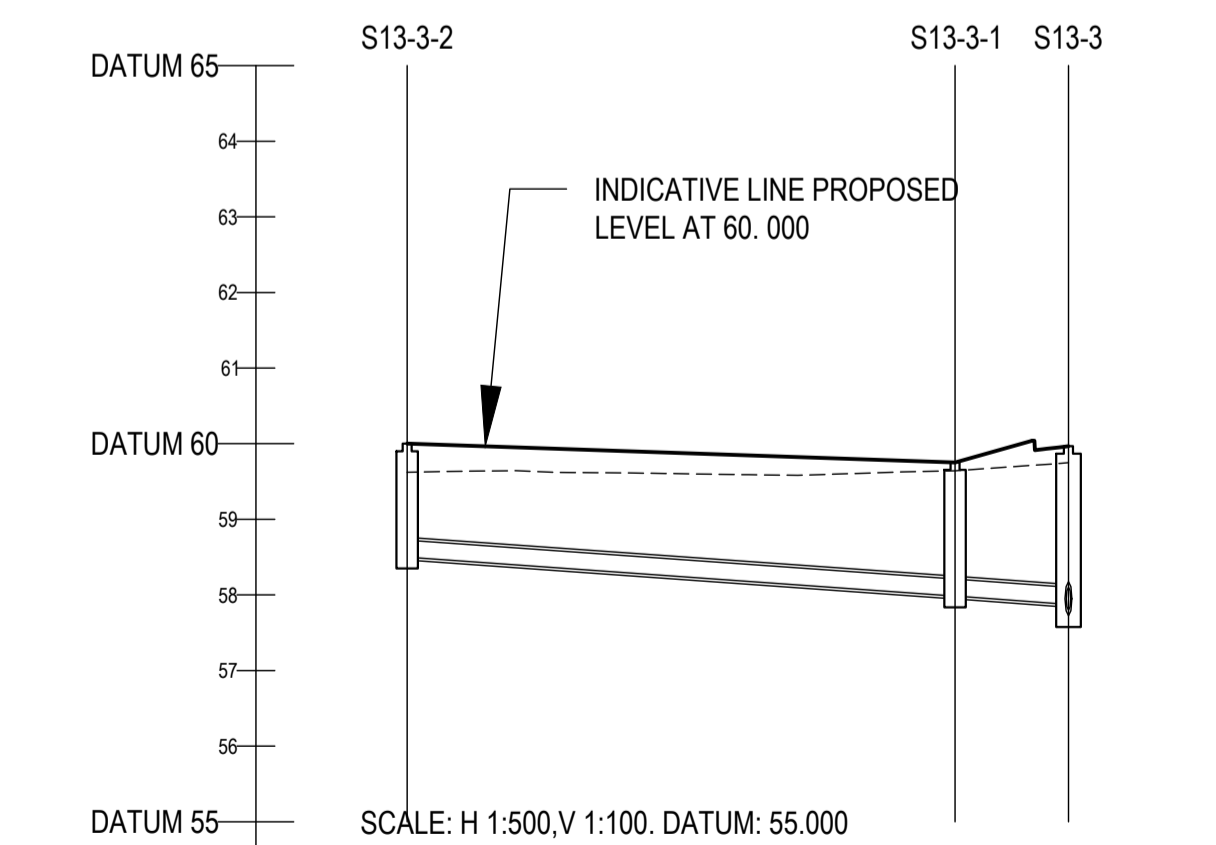
| COVER LEVEL | 60.404 | 60.150 |
|--------------|--------|--------|
| INVERT LEVEL | 59.900 | 57.700 |
| DEPTH (m) | 1.504 | 2.750 |
| DISTANCE (m) | 64.92 | |
| PIPE SLOPE | 1:54 | |
| PIPE SIZE | 225mm | |



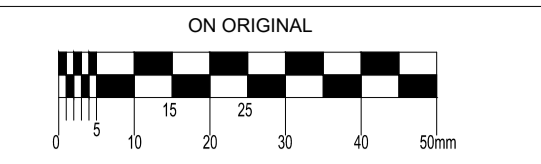
| COVER LEVEL | 59.923 | 59.996 | 60.061 |
|--------------|--------|--------|--------|
| INVERT LEVEL | 58.545 | 58.385 | 57.997 |
| DEPTH (m) | 1.378 | 1.733 | 2.129 |
| DISTANCE (m) | 30.97 | 71.22 | |
| PIPE SLOPE | 1:194 | 1:184 | |
| PIPE SIZE | 225mm | 225mm | |



| COVER LEVEL | 60.564 | 60.073 | 59.996 |
|--------------|--------|--------|--------|
| INVERT LEVEL | 58.918 | 58.545 | 58.385 |
| DEPTH (m) | 1.596 | 1.525 | 1.733 |
| DISTANCE (m) | 39.15 | 6.35 | 2.99 |
| PIPE SLOPE | 1:106 | 1:106 | 1:103 |
| PIPE SIZE | 225mm | 225mm | 225mm |



| COVER LEVEL | 60.000 | 59.743 | 59.998 |
|--------------|--------|--------|--------|
| INVERT LEVEL | 58.500 | 57.895 | 57.675 |
| DEPTH (m) | 1.500 | 1.708 | 2.243 |
| DISTANCE (m) | 11.000 | 7.50 | |
| PIPE SLOPE | 1:70 | 1:68 | |
| PIPE SIZE | 225mm | 225mm | |



© COPYRIGHT OF THIS DRAWING IS RESERVED BY DBFL CONSULTING ENGINEERS. NO PART SHALL BE REPRODUCED OR TRANSMITTED WITHOUT THEIR WRITTEN PERMISSION.
 NO CHANGES OF WHATSOEVER NATURE ARE TO BE MADE TO ANY DETAILS SET OUT OR CONTAINED IN ANY DBFL SPECIFICATIONS OR DRAWINGS UNLESS THE EXPRESS CONSENT HAS BEEN OBTAINED IN ADVANCE, IN WRITING, FROM DBFL.

- NOTES:
1. ALL DRAWINGS TO BE CHECKED BY CONTRACTOR ON SITE AND ENGINEER INFORMED OF DISCREPANCIES BEFORE WORK COMMENCES
 2. ALL LEVELS ARE IN METRES AND ARE RELATED TO ORDNANCE DATUM
 3. CONTRACTOR SHALL SATISFY HIMSELF AS TO THE ACCURACY OF PAVEMENT LEVELS ON SITE PRIOR TO COMMENCEMENT OF WORKS ON SITE
 4. ALL WORKS TO BE CONSTRUCTED IN ACCORDANCE WITH THE NRA SPECIFICATION FOR ROAD WORKS UNLESS NOTED OTHERWISE
 5. THIS DRAWING IS FOR PLANNING PURPOSES ONLY
 6. MANHOLE COVER LEVELS ARE TO CONFORM WITH FINISHED ROAD AND PATH LEVELS
 7. WHERE COVER TO PIPE IS LESS THAN 1200mm (ROAD/PATH/VERGE) OR 900mm (OPEN SPACE) SURROUND PIPE IN MINIMUM 150mm CONCRETE

KEY
 - - - - - EXISTING GROUND PROFILE
 _____ PROPOSED GROUND PROFILE

ORDNANCE SURVEY IRELAND LICENCE
 No EN 0017921
 © ORDNANCE SURVEY IRELAND
 GOVERNMENT OF IRELAND

| rev | date | description | by | chkd. |
|-----|----------|------------------------|-----|-------|
| P01 | 17-11-21 | ISSUED FOR PLANNING | DKE | JPC |
| A | | Approved | | |
| B | | Approved with comments | | |
| C | | Do not use | | |

SO - WORK IN PROGRESS PLANNING

DBFL Consulting Engineers
 Civil, Structural & Transportation Engineering
 www.dbfl.ie

DUBLIN OFFICE: Ormond House, Upper Ormond Quay, Dublin 7, D07 W704
 PHONE: +353 1 450 4000

CORK OFFICE: 14 South Mall, Cork, T12 CT91
 PHONE: +353 21 2024538

WATERFORD OFFICE: Suite 10 The Atrium, Maritime Gate, Canada Street, Waterford, X91 W028
 PHONE: +353 51 309 500

project ref.
CLONBURRIS PHASE 1A

drawing title
LONGITUDINAL SECTIONS THROUGH STORM WATER SEWERS SHEET 3 SHEET 2

client
CAIRN HOMES LTD

| designed by | author | scale | sheet size |
|-----------------------------|----------|----------|------------|
| TCA | DKE | AS NOTED | A1 |
| drawing no. | revision | | |
| 162119-DBFL-SW-SP-DR-C-3303 | P01 | | |