

© COPYRIGHT OF THIS DRAWING IS RESERVED BY DBFL CONSULTING ENGINEERS. NO PART SHALL BE REPRODUCED OR TRANSMITTED WITHOUT THEIR WRITTEN PERMISSION.
 NO CHANGES OF WHATSOEVER NATURE ARE TO BE MADE TO ANY DETAILS SET OUT OR CONTAINED IN ANY DBFL SPECIFICATIONS OR DRAWINGS UNLESS THE EXPRESS CONSENT HAS BEEN OBTAINED IN ADVANCE, IN WRITING, FROM DBFL.

- NOTES:
1. ALL DRAWINGS TO BE CHECKED BY CONTRACTOR ON SITE AND ENGINEER INFORMED OF DISCREPANCIES BEFORE WORK COMMENCES
 2. ALL LEVELS ARE IN METRES AND ARE RELATED TO ORDNANCE DATUM
 3. CONTRACTOR SHALL SATISFY HIMSELF AS TO THE ACCURACY OF PAVEMENT LEVELS ON SITE PRIOR TO COMMENCEMENT OF WORKS ON SITE
 4. ALL WORKS TO BE CONSTRUCTED IN ACCORDANCE WITH THE NRA SPECIFICATION FOR ROAD WORKS UNLESS NOTED OTHERWISE
 5. THIS DRAWING IS FOR PLANNING PURPOSES ONLY
 6. MANHOLE COVER LEVELS ARE TO CONFORM WITH FINISHED ROAD AND PATH LEVELS
 7. WHERE COVER TO PIPE IS LESS THAN 100mm (ROAD/PATH/VERGE) OR 500mm (OPEN SPACE) SURROUND PIPE IN MINIMUM 150mm CONCRETE

KEY
 - - - - - EXISTING GROUND PROFILE
 _____ PROPOSED GROUND PROFILE

ORDNANCE SURVEY IRELAND LICENCE
 No EN 0017921
 © ORDNANCE SURVEY IRELAND
 GOVERNMENT OF IRELAND

P01	17-11-21	ISSUED FOR PLANNING	DKE	JPC
rev	date	description	by	chkd.
		A - Approved		
		B - Approved with comments		
		C - Do not use		

DBFL Consulting Engineers
 Civil, Structural & Transportation Engineering
 www.dbfl.ie

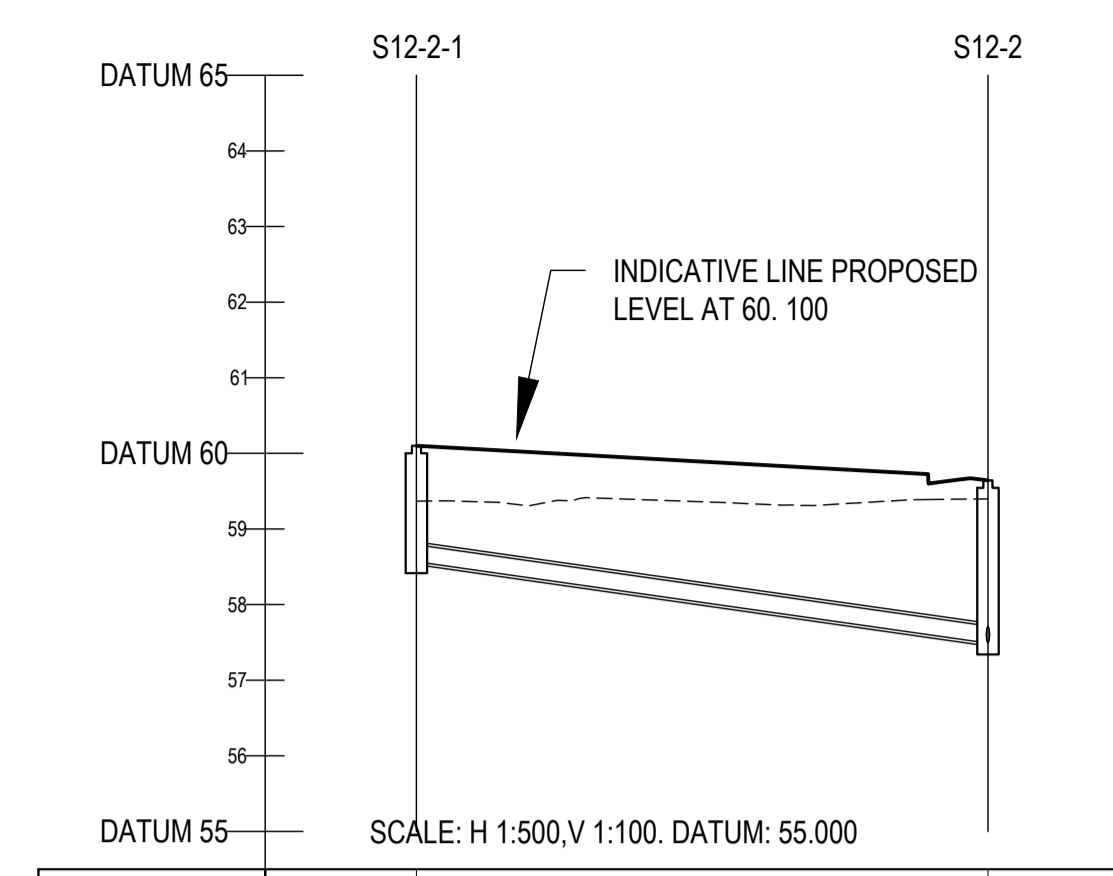
DUBLIN OFFICE: Ormond House, Upper Ormond Quay, Dublin 7, D07 W704
 PHONE: +353 1 450 4000
 CORK OFFICE: 14 South Mall, Cork, T12 CT91
 PHONE: +353 21 2024538
 WATERFORD OFFICE: Suite 10 The Atrium, Maritime Gate, Canada Street, Waterford, X91 W028
 PHONE: +353 51 309 500

project ref.
CLONBURRIS PHASE 1A

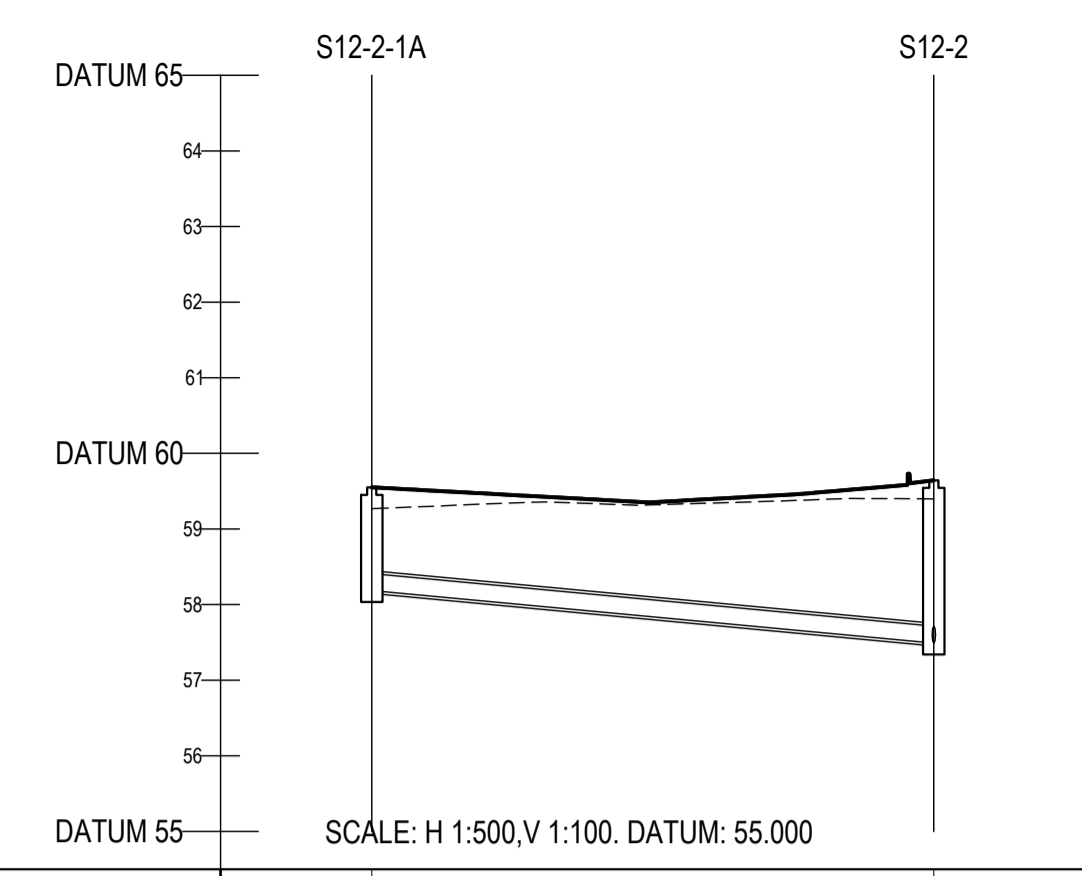
drawing title
LONGITUDINAL SECTIONS THROUGH STORM WATER SEWERS SHEET 2 SHEET 1

client
CAIRN HOMES LTD

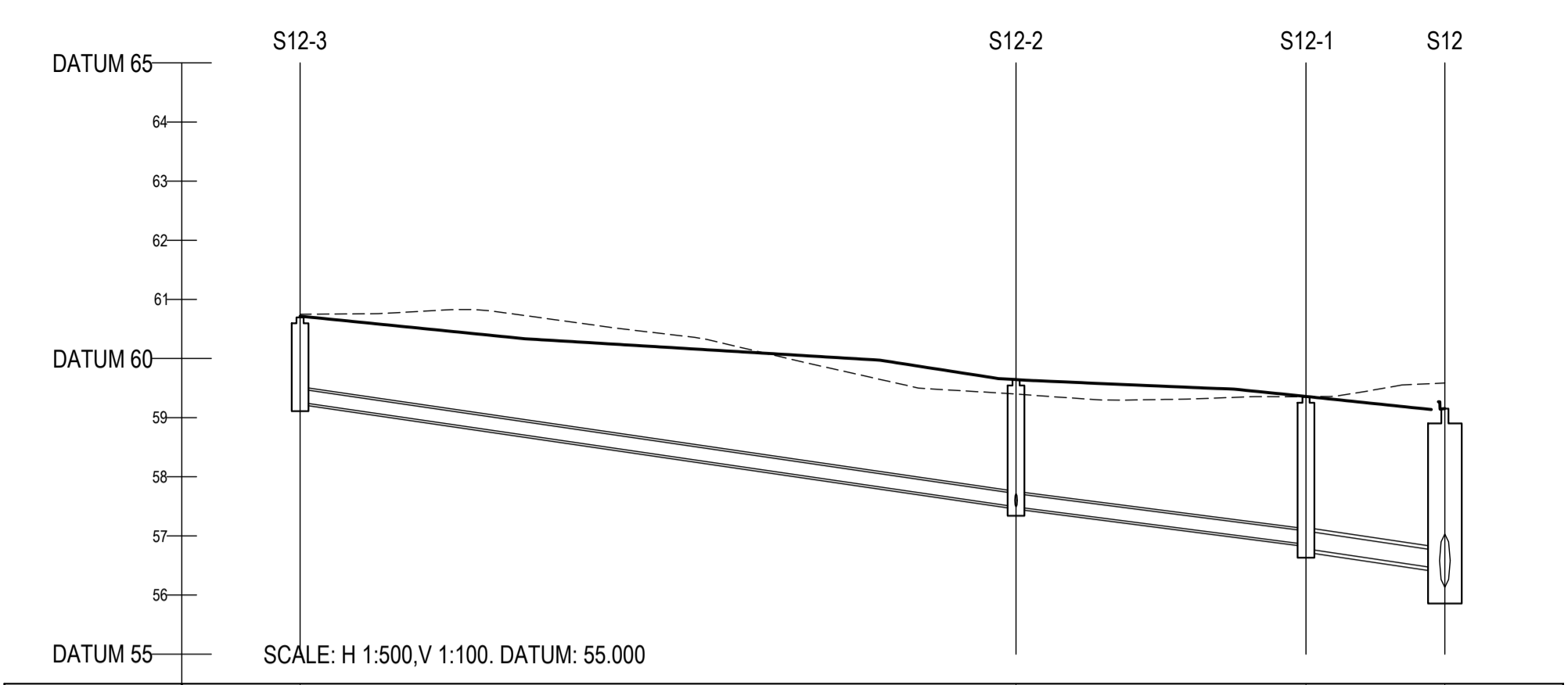
designed by	author	scale	sheet size
TCA	DKE	AS NOTED	A1
drawing no.			revision
162119-DBFL-SW-SP-DR-C-3302			P01



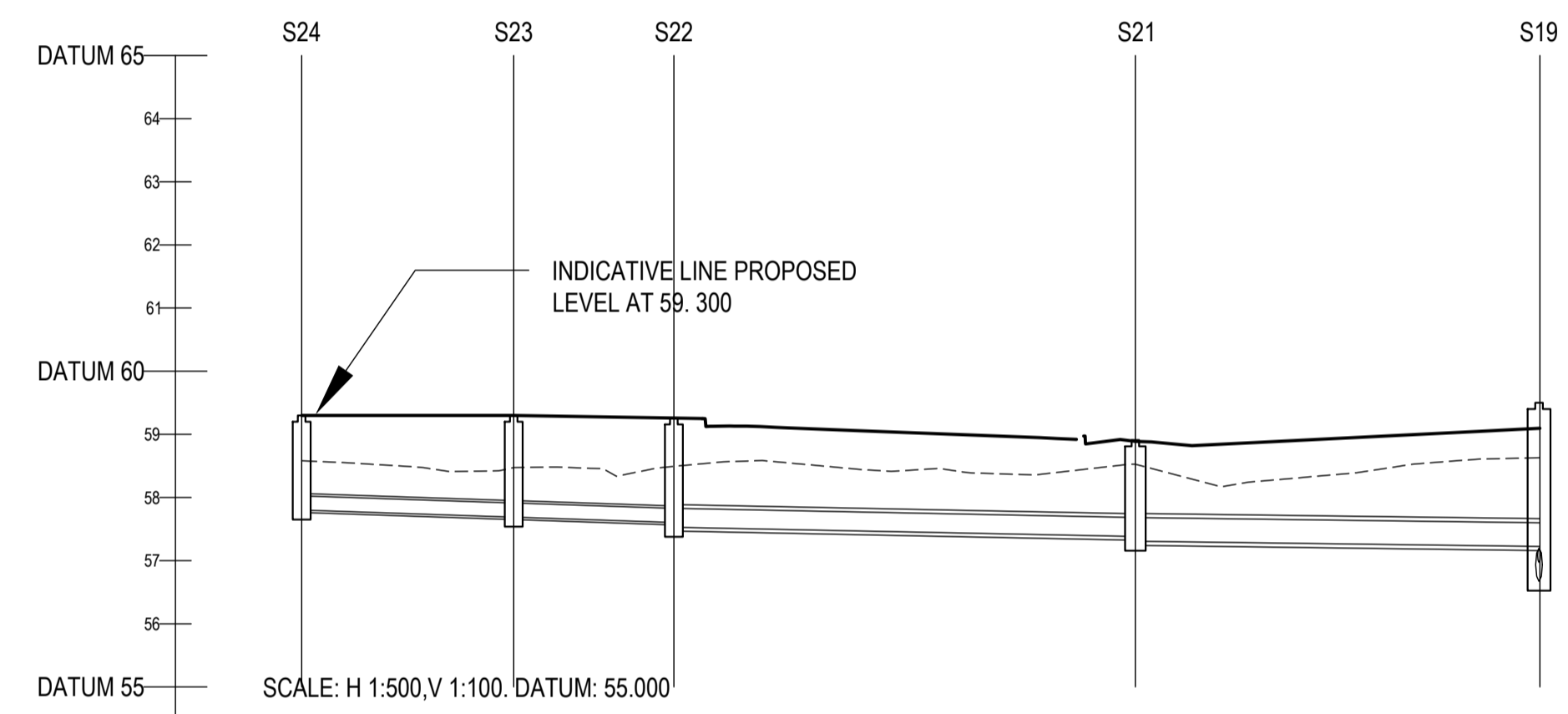
COVER LEVEL	60.100	59.643
INVERT LEVEL	58.596	57.490
DEPTH (m)	1.504	2.153
DISTANCE (m)	37.80	
PIPE SLOPE	1.35	
PIPE SIZE	225mm	



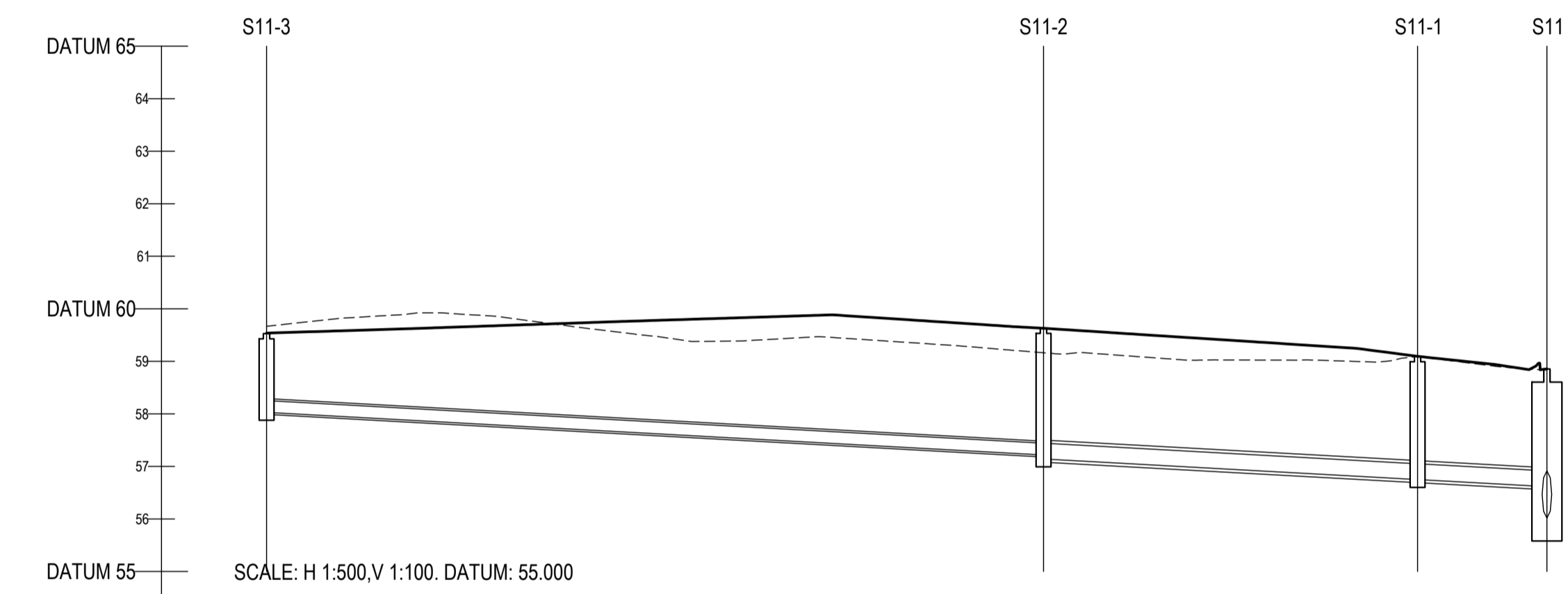
COVER LEVEL	59.051	59.643
INVERT LEVEL	58.185	57.490
DEPTH (m)	1.386	2.153
DISTANCE (m)	37.18	
PIPE SLOPE	1.53	
PIPE SIZE	225mm	



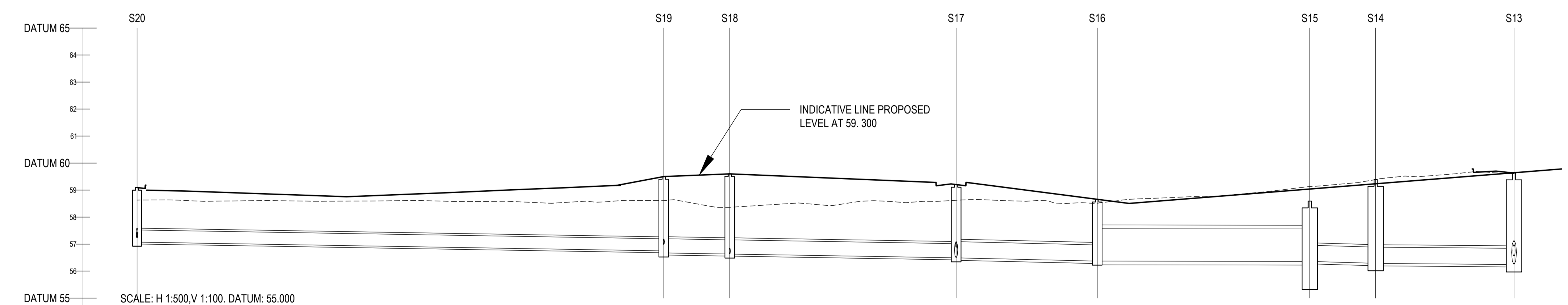
COVER LEVEL	60.096	59.643	59.302	59.152
INVERT LEVEL	59.280	57.490	56.857	56.432
DEPTH (m)	1.436	2.153	2.570	3.000
DISTANCE (m)	13.000	13.001	13.002	
PIPE SLOPE	1.34	1.39	1.34	
PIPE SIZE	225mm	225mm	300mm	



COVER LEVEL	59.300	59.300	59.258	58.910	59.696
INVERT LEVEL	57.800	57.888	57.653	57.362	57.203
DEPTH (m)	1.500	1.612	1.720	1.950	2.423
DISTANCE (m)	16.80	12.69	36.56	32.04	97.49
PIPE SLOPE	1:150	1:149	1:250	1:386	1:300
PIPE SIZE	225mm	225mm	300mm	375mm	450mm



COVER LEVEL	59.828	59.832	59.891	59.854
INVERT LEVEL	59.028	57.216	56.750	56.615
DEPTH (m)	1.200	2.481	2.341	3.000
DISTANCE (m)	16.000	16.001	16.002	
PIPE SLOPE	1.91	1.91	1.91	
PIPE SIZE	225mm	300mm	300mm	



COVER LEVEL	59.896	59.500	59.600	59.205	58.658	59.592	59.390	59.630
INVERT LEVEL	57.073	56.748	56.623	56.602	56.370	56.539	56.287	56.244
DEPTH (m)	2.823	2.827	2.988	2.713	2.288	3.000	3.103	3.386
DISTANCE (m)	2.004	2.005	2.006	1.004	1.005	1.006	1.007	
PIPE SLOPE	1.300	1.298	1.299	1.214	1.3577	1.169	1.595	
PIPE SIZE	450mm	525mm	525mm	600mm	1200mm	600mm	600mm	