

© COPYRIGHT OF THIS DRAWING IS RESERVED BY DBFL CONSULTING ENGINEERS. NO PART SHALL BE REPRODUCED OR TRANSMITTED WITHOUT THEIR WRITTEN PERMISSION.

NO CHANGES OF WHATSOEVER NATURE ARE TO BE MADE TO ANY DETAILS SET OUT OR CONTAINED IN ANY DBFL SPECIFICATIONS OR DRAWINGS UNLESS THE EXPRESS CONSENT HAS BEEN OBTAINED IN ADVANCE, IN WRITING, FROM DBFL.

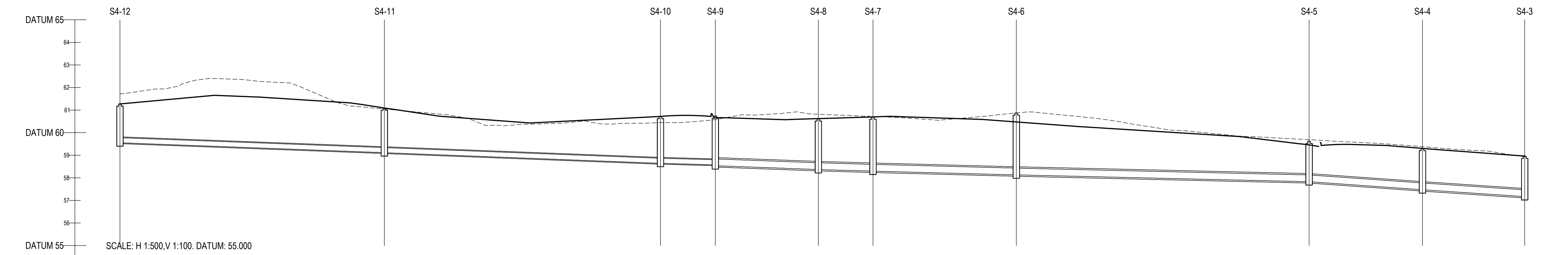
NOTES:

1. ALL DRAWINGS TO BE CHECKED BY CONTRACTOR ON SITE AND ENGINEER INFORMED OF DISCREPANCIES BEFORE WORK COMMENCES
2. ALL LEVELS ARE IN METRES AND ARE RELATED TO ORDINANCE DATUM
3. CONTRACTOR SHALL SATISFY HIMSELF AS TO THE ACCURACY OF PAVEMENT LEVELS ON SITE PRIOR TO COMMENCEMENT OF WORKS ON SITE
4. ALL WORKS TO BE CONSTRUCTED IN ACCORDANCE WITH THE NRA SPECIFICATION FOR ROAD WORKS UNLESS NOTED OTHERWISE
5. THIS DRAWING IS FOR PLANNING PURPOSES ONLY
6. MANHOLE COVER LEVELS ARE TO CONFORM WITH FINISHED ROAD AND PATH LEVELS
7. WHERE COVER TO PIPE IS LESS THAN 100mm (ROAD/PATH/VERGE) OR 900mm (OPEN SPACE) SURROUND PIPE IN MINIMUM 150mm CONCRETE

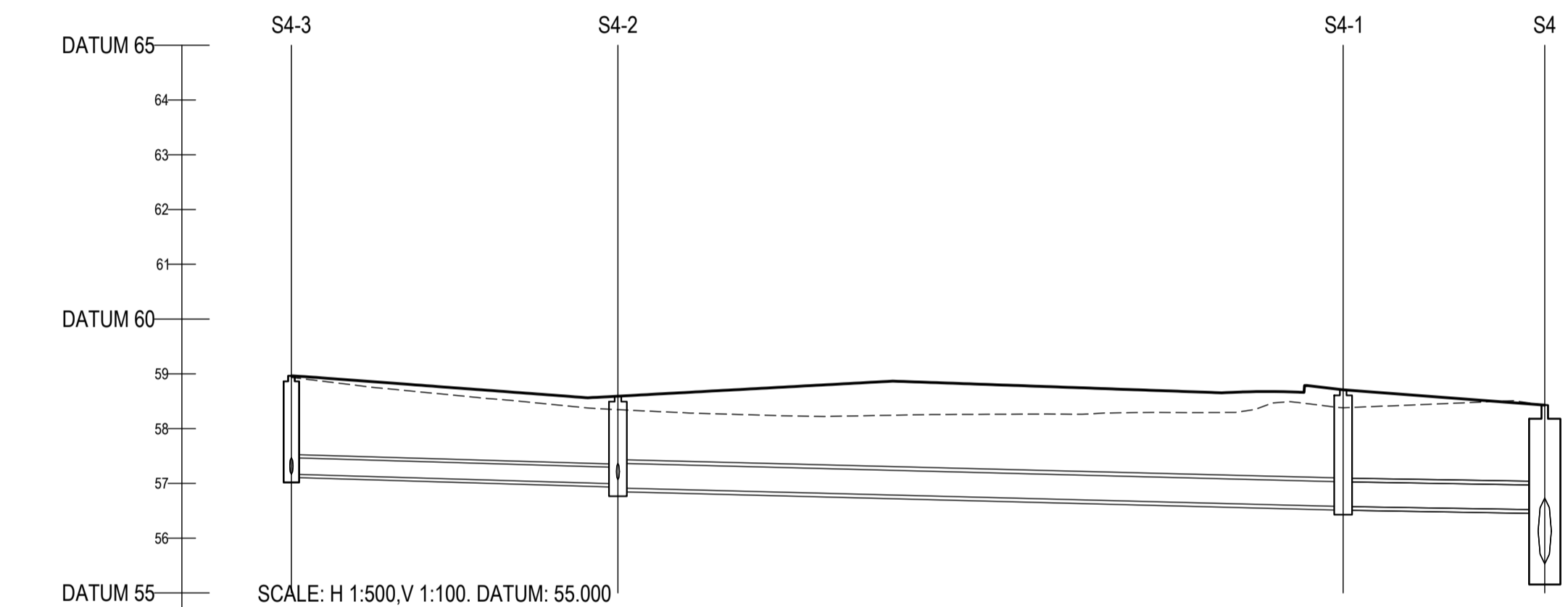
KEY

- - - - - EXISTING GROUND PROFILE
- PROPOSED GROUND PROFILE

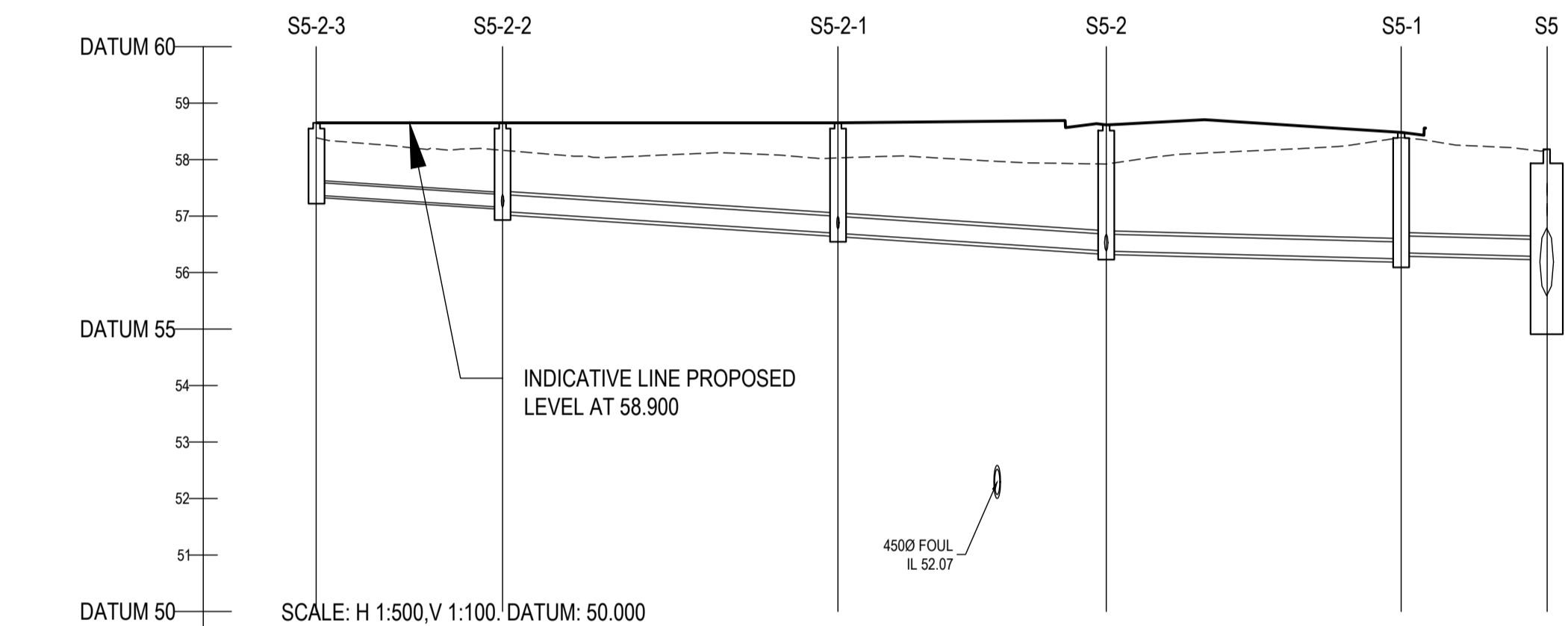
ORDNANCE SURVEY IRELAND LICENCE
No EN 0017921
© ORDNANCE SURVEY IRELAND
GOVERNMENT OF IRELAND



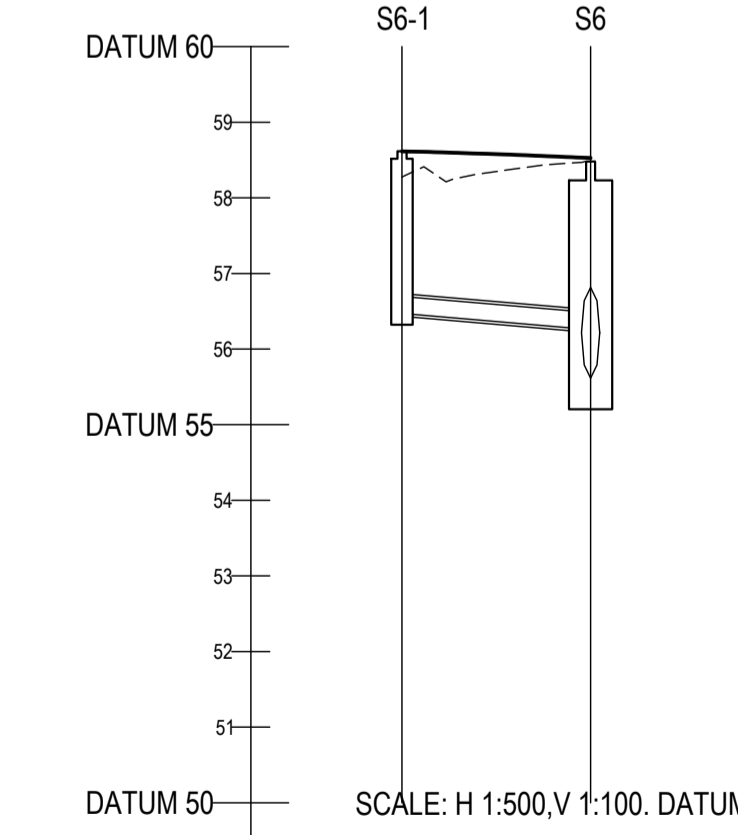
COVER LEVEL	61.273		61.080		60.716	60.735	60.616	60.655		60.874		59.821	59.305	59.864																	
INVERT LEVEL	59.533	24.000	59.114	59.114	24.001	58.643	58.643	24.002	58.575	58.537	24.003	58.357	58.357	24.004	58.296	58.296	24.005	58.130	58.130	24.006	57.829	57.829	24.007	57.472	57.472	24.008	57.088	57.088	24.009	56.799	56.799
DEPTH (m)	1.720		1.976	1.976		2.075	2.075		2.198	2.198		2.249	2.249		2.399	2.399		2.744	2.744		1.792	1.792		1.833	1.833		2.266	2.266		2.297	2.297
DISTANCE (m)		58.59			61.20			12.15		22.83			12.11		31.76						64.88			25.13			22.66		29.79		
PIPE SLOPE		1:133			1:130		1:179		1:134		1:171		1:191		1:216						1:170			1:75			1:75		1:168		
PIPE SIZE		225mm			225mm		225mm		300mm		300mm		300mm		300mm						300mm			300mm			300mm		300mm		



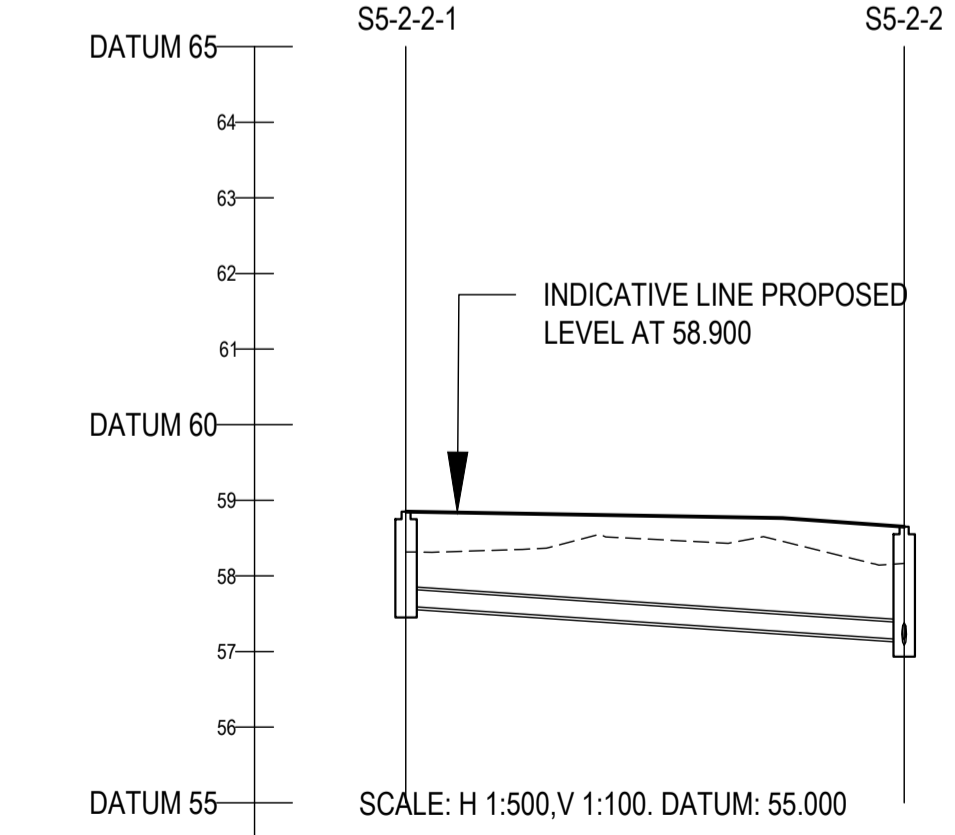
COVER LEVEL	58.964		58.592		58.108	58.429			
INVERT LEVEL	57.166	24.009	56.991	56.916	24.010	56.578	56.578	24.011	56.517
DEPTH (m)	1.798		1.676	1.676		2.130	2.130		3.000
DISTANCE (m)		29.79			66.17		18.39		
PIPE SLOPE		1:168			1:196		1:301		
PIPE SIZE		300mm			450mm		450mm		



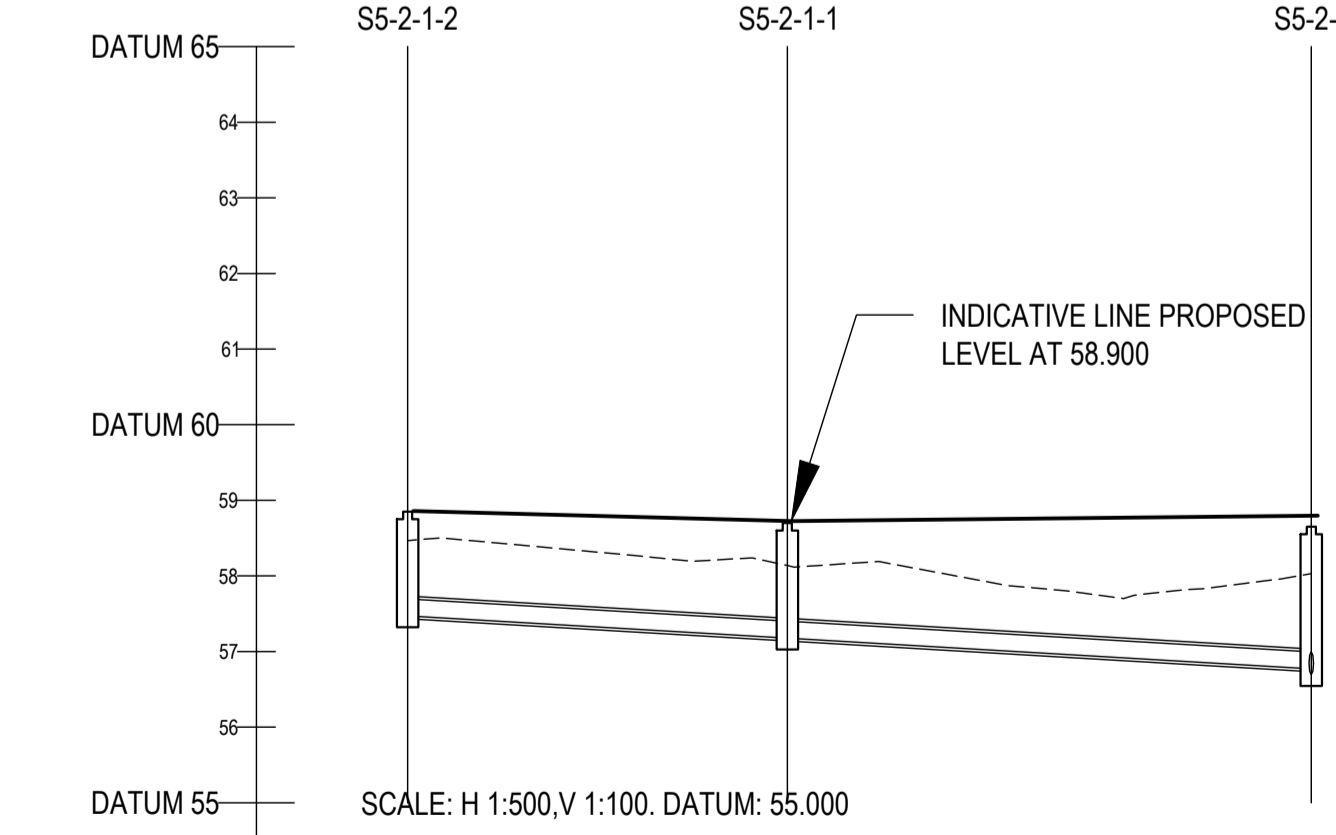
COVER LEVEL	58.650		58.650		58.650	58.614	58.462	58.184									
INVERT LEVEL	57.370	20.000	57.156	57.081	20.001	56.695	56.695	20.002	56.390	56.390	20.003	56.242	56.350	20.004	56.088	57.070	58.184
DEPTH (m)	1.280		1.569	1.569		1.955	1.955		2.234	2.234		2.240	2.240		3.000		
DISTANCE (m)		16.48			29.71		23.76		26.14			12.89	21.79				
PIPE SLOPE		1:77			1:77		1:75		1:189			1:190	1:142				
PIPE SIZE		225mm			300mm		300mm		300mm			300mm	300mm				



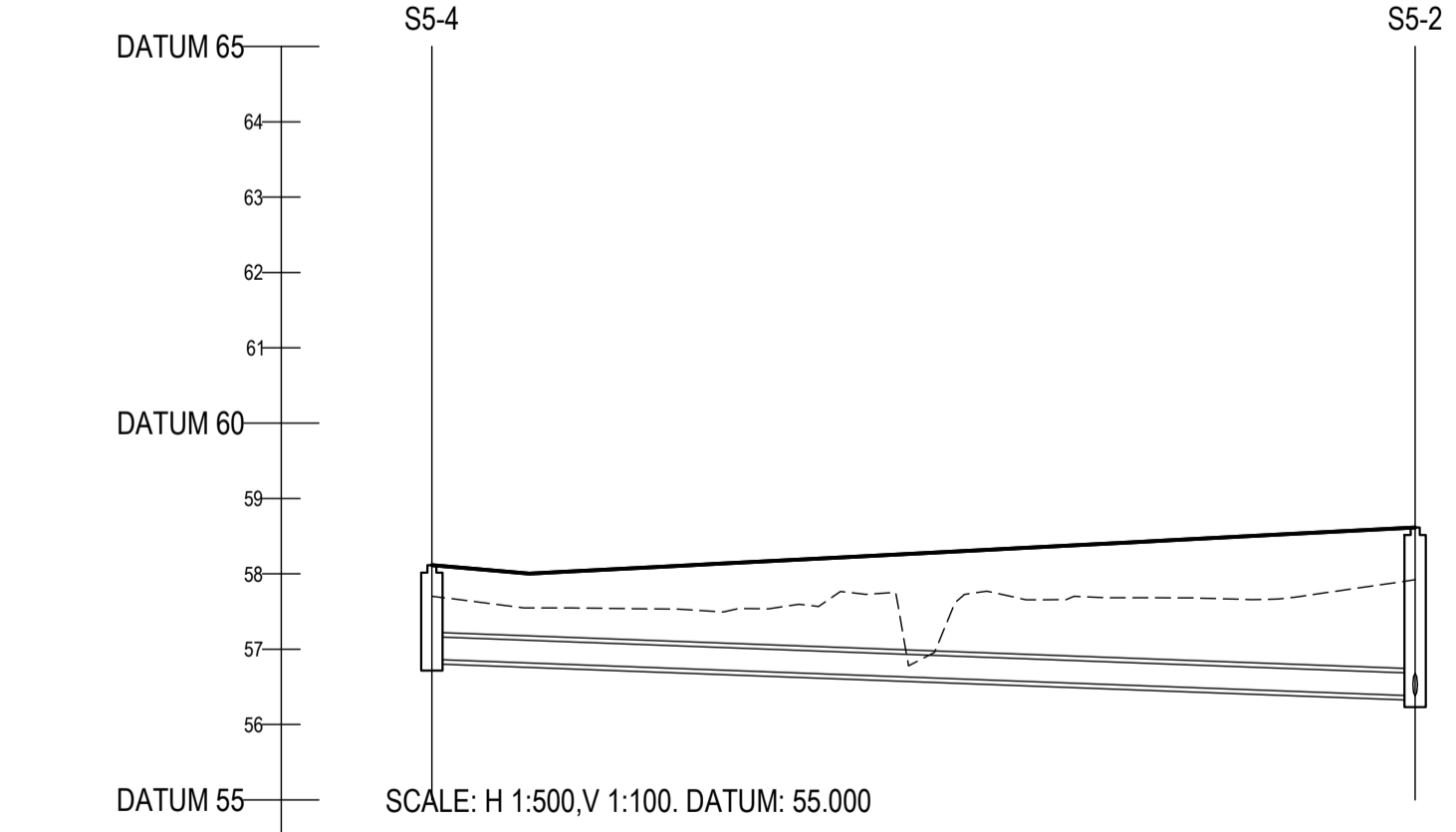
COVER LEVEL	58.616		58.460
INVERT LEVEL	56.471	19.000	56.258
DEPTH (m)	2.145		3.000
DISTANCE (m)		12.47	
PIPE SLOPE		1:59	
PIPE SIZE		225mm	



COVER LEVEL	58.850		58.650
INVERT LEVEL	57.600	21.000	57.156
DEPTH (m)	1.250		1.569
DISTANCE (m)		32.94	
PIPE SLOPE		1:74	
PIPE SIZE		225mm	



COVER LEVEL	58.850		58.700		58.650				
INVERT LEVEL	57.471	22.000	57.177	57.177	22.001	56.881	56.881	22.001	56.650
DEPTH (m)	1.379		1.523	1.523		1.969	1.969		1.969
DISTANCE (m)		25.11		34.65		29.71			
PIPE SLOPE		1:85		1:85		1:77			
PIPE SIZE		225mm		225mm		300mm			



COVER LEVEL	58.115		58.614
INVERT LEVEL	56.865	23.000	56.390
DEPTH (m)	1.250		2.234
DISTANCE (m)		65.30	
PIPE SLOPE		1:135	
PIPE SIZE		300mm	

P01	17-11-21	ISSUED FOR PLANNING	DKE	JPC
rev	date	description	by	chkd.
		A - Approved		
		B - Approved with comments		
		C - Do not use		
client approval				
suitability		issue purpose		
SO - WORK IN PROGRESS		PLANNING		

DBFL Consulting Engineers
Civil, Structural & Transportation Engineering
www.dbfl.ie

DUBLIN OFFICE: Ormond House, Upper Ormond Quay, Dublin 7, D07 W074
PHONE: +353 1 450 4000

CORK OFFICE: 14 South Mall, Cork, T12 CT91
PHONE: +353 21 2024538

WATERFORD OFFICE: Suite 10 The Atrium, Marina Gate, Canada Street, Waterford, X91 W028
PHONE: +353 51 309 500

project ref.
CLONBURRIS PHASE 1A

drawing title
LONGITUDINAL SECTIONS THROUGH
STORM WATER SEWERS SHEET 1
SHEET 1

client
CAIRN HOMES LTD

designed by	author	scale	sheet size
TCA	DKE	AS NOTED	A1
drawing no.		revision	
162119-DBFL-SW-DR-C-3301		P01	