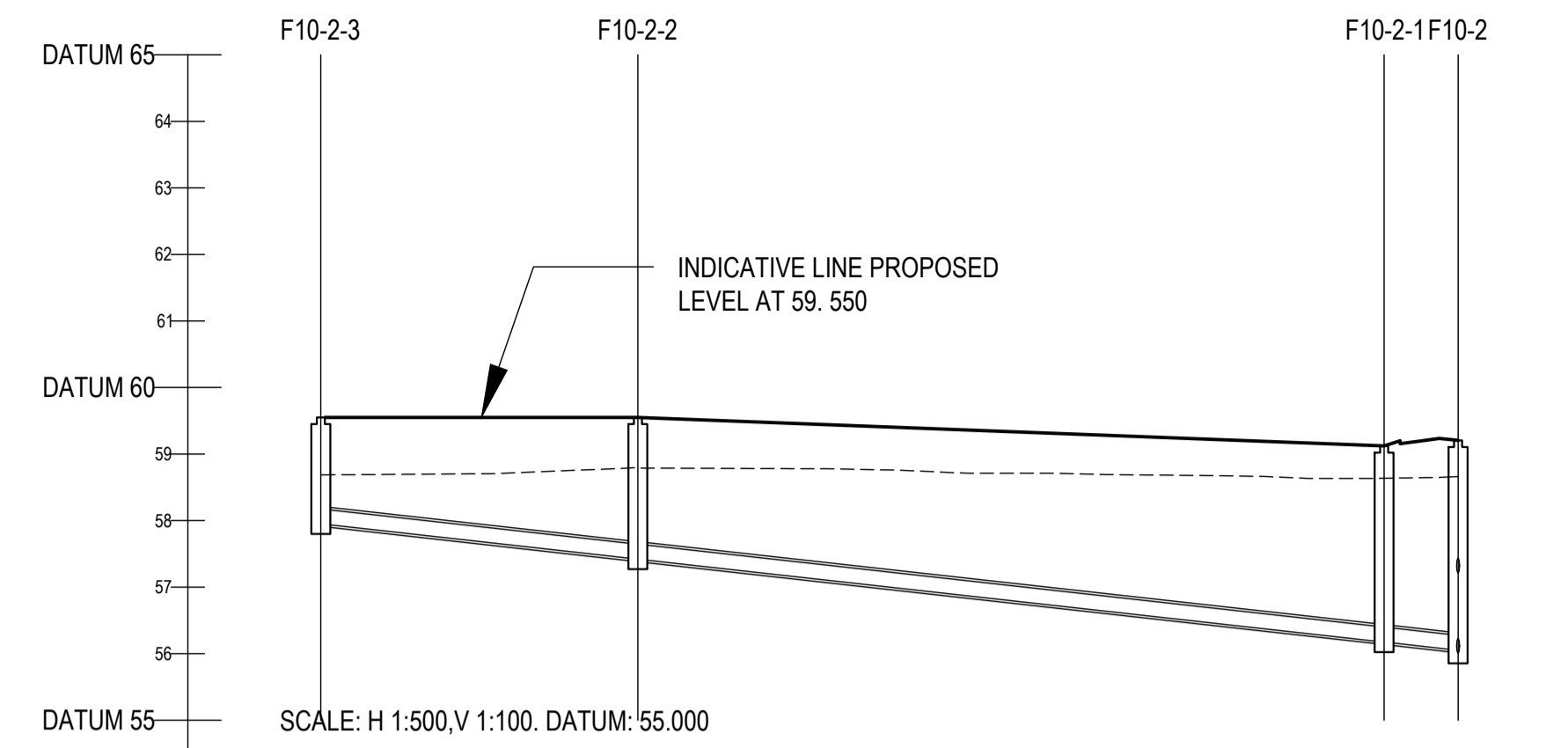
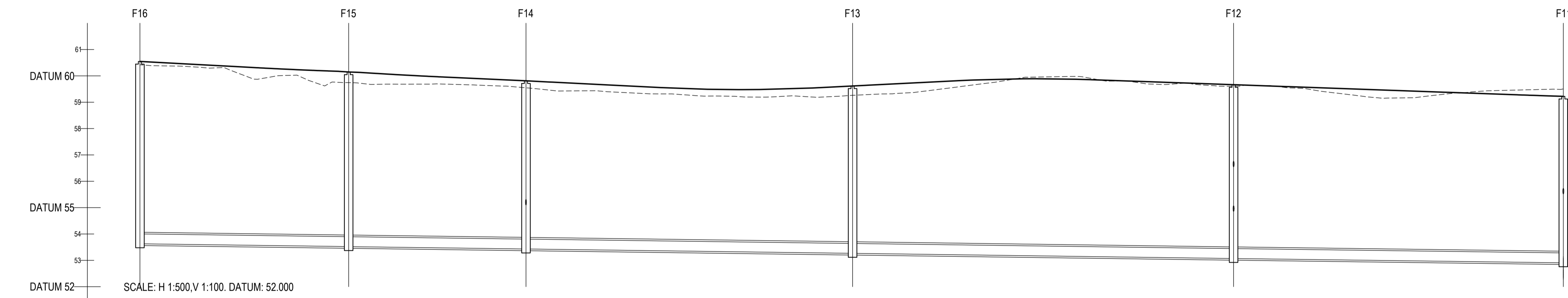


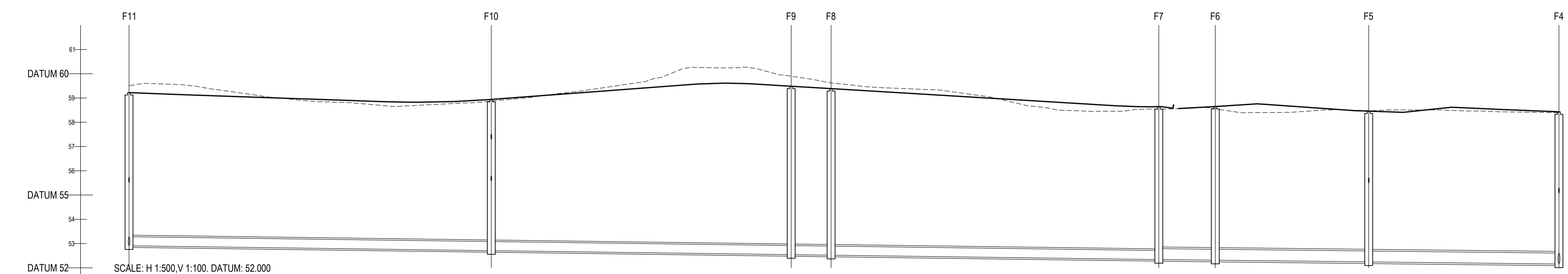
COVER LEVEL	59.902	59.206
INVERT LEVEL	58.000	57.212
DEPTH (m)	0.902	3.201
DISTANCE (m)		39.42
PIPE SLOPE		1.50
PIPE SIZE		225mm



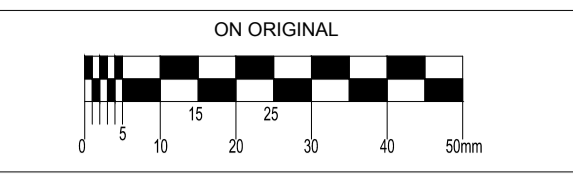
COVER LEVEL	59.550	59.550	59.121	59.206
INVERT LEVEL	57.990	57.420	56.174	56.050
DEPTH (m)	1.600	2.130	2.987	3.201
DISTANCE (m)		23.83	56.09	5.56
PIPE SLOPE		1.45	1.45	1.45
PIPE SIZE		225mm	225mm	225mm



COVER LEVEL	60.547	60.147	59.812	59.616	59.665	59.223
INVERT LEVEL	53.627	53.621	53.431	53.296	53.070	52.302
DEPTH (m)	6.920	6.626	6.381	6.350	6.350	6.316
DISTANCE (m)		39.65	33.68	62.06	72.38	62.64
PIPE SLOPE		1.374	1.374	1.376	1.369	1.384
PIPE SIZE		375mm	375mm	375mm	375mm	375mm



COVER LEVEL	59.223	59.340	59.484	59.397	59.645	59.648	59.459	59.429
INVERT LEVEL	52.307	52.707	52.542	52.542	52.340	52.314	52.244	52.157
DEPTH (m)	6.316	6.223	6.942	6.897	6.305	6.334	6.215	6.272
DISTANCE (m)		74.64	61.79	8.22	67.54	11.63	31.61	39.20
PIPE SLOPE		1.373	1.375	1.374	1.375	1.447	1.452	1.451
PIPE SIZE		375mm	375mm	375mm	375mm	450mm	450mm	450mm



© COPYRIGHT OF THIS DRAWING IS RESERVED BY DBFL CONSULTING ENGINEERS. NO PART SHALL BE REPRODUCED OR TRANSMITTED WITHOUT THEIR WRITTEN PERMISSION.
 NO CHANGES OF WHATSOEVER NATURE ARE TO BE MADE TO ANY DETAILS SET OUT OR CONTAINED IN ANY DBFL SPECIFICATIONS OR DRAWINGS UNLESS THE EXPRESS CONSENT HAS BEEN OBTAINED IN ADVANCE, IN WRITING, FROM DBFL.

- NOTES:
1. ALL DRAWINGS TO BE CHECKED BY CONTRACTOR ON SITE AND ENGINEER INFORMED OF DISCREPANCIES BEFORE WORK COMMENCES
 2. ALL LEVELS ARE IN METRES AND ARE RELATED TO ORDNANCE DATUM
 3. CONTRACTOR SHALL SATISFY HIMSELF AS TO THE ACCURACY OF PAVEMENT LEVELS ON SITE PRIOR TO COMMENCEMENT OF WORKS ON SITE
 4. ALL WORKS TO BE CONSTRUCTED IN ACCORDANCE WITH THE NRA SPECIFICATION FOR ROAD WORKS UNLESS NOTED OTHERWISE
 5. THIS DRAWING IS FOR PLANNING PURPOSES ONLY
 6. MANHOLE COVER LEVELS ARE TO CONFORM WITH FINISHED ROAD AND PATH LEVELS
 7. WHERE COVER TO PIPE IS LESS THAN 100mm (ROAD/PATH/VERGE) OR 900mm (OPEN SPACE) SURROUND PIPE IN MINIMUM 150mm CONCRETE

KEY
 - - - - - EXISTING GROUND PROFILE
 _____ PROPOSED GROUND PROFILE

ORDNANCE SURVEY IRELAND LICENCE
 No EN 0017921
 © ORDNANCE SURVEY IRELAND
 GOVERNMENT OF IRELAND

rev	date	description	by	chkd.
P01	17-11-21	ISSUED FOR PLANNING	DKE	JPC
A-		Approved		
B-		Approved with comments		
C-		Do not use		

DBFL Consulting Engineers
 Civil, Structural & Transportation Engineering
 www.dbfl.ie
 DUBLIN OFFICE: Ormond House, Upper Ormond Quay, Dublin 7, D07 W704
 PHONE: +353 1 450 4000
 CORK OFFICE: 14 South Mall, Cork, T12 CT91
 PHONE: +353 21 2024538
 WATERFORD OFFICE: Suite 10 The Atrium, Maritime Gate, Canada Street, Waterford, X91 W028
 PHONE: +353 51 309 500

project ref.
CLONBURRIS PHASE 1A
 drawing title
LONGITUDINAL SECTIONS THROUGH FOUL WATER SEWERS SHEET 4
 client
CAIRN HOMES LTD

designed by	author	scale	sheet size
TCA	DKE	AS NOTED	A1
drawing no.	revision		
162119-DBFL-FW-SP-DR-C-3314	P01		