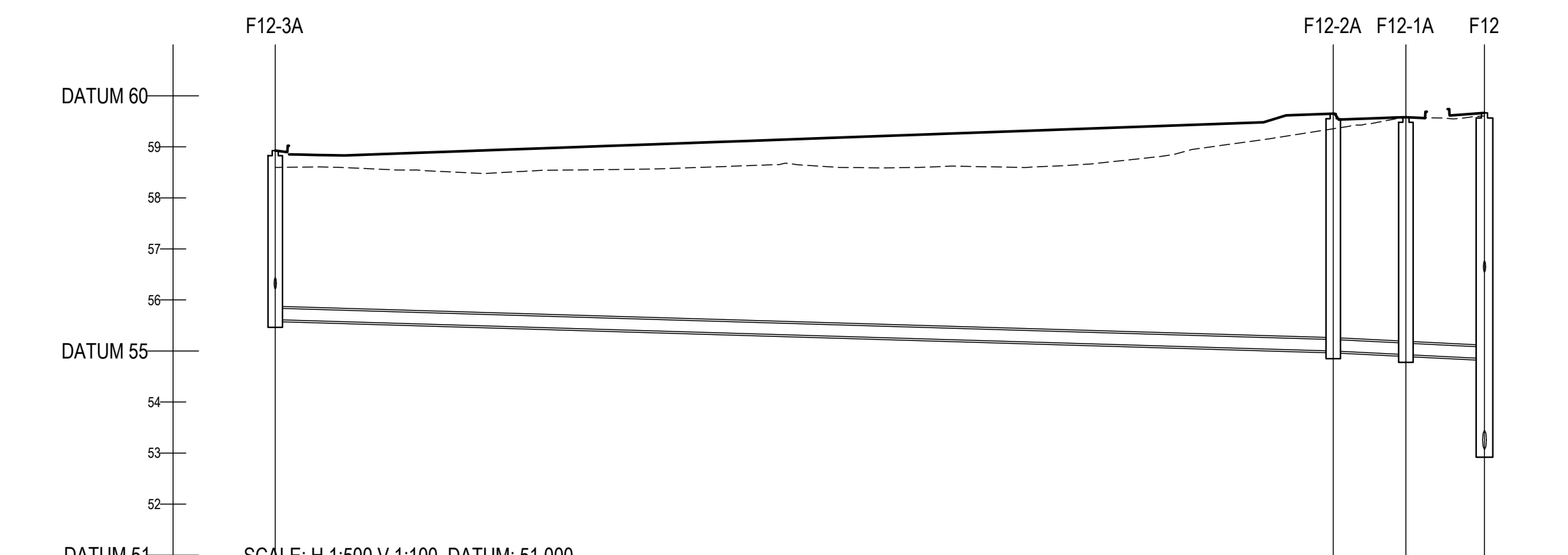
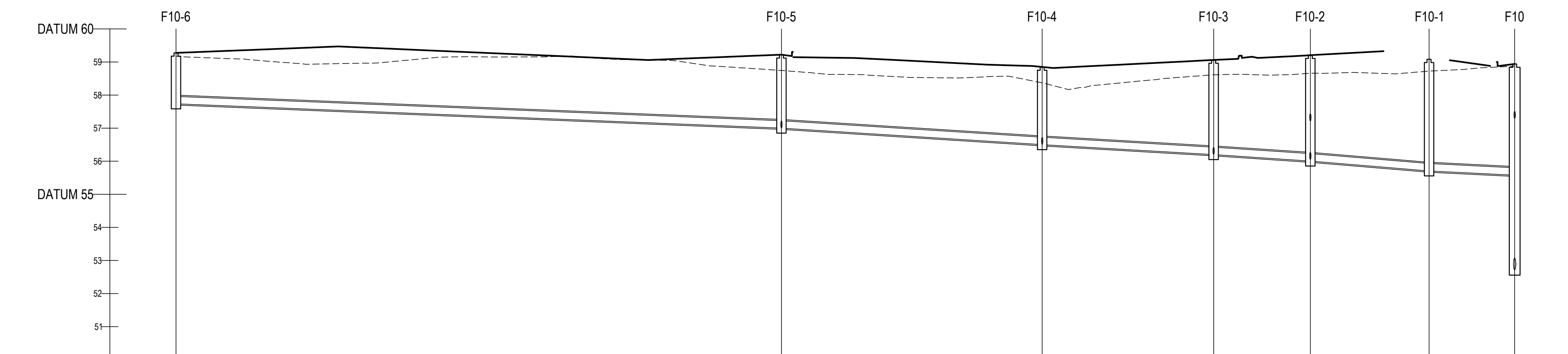


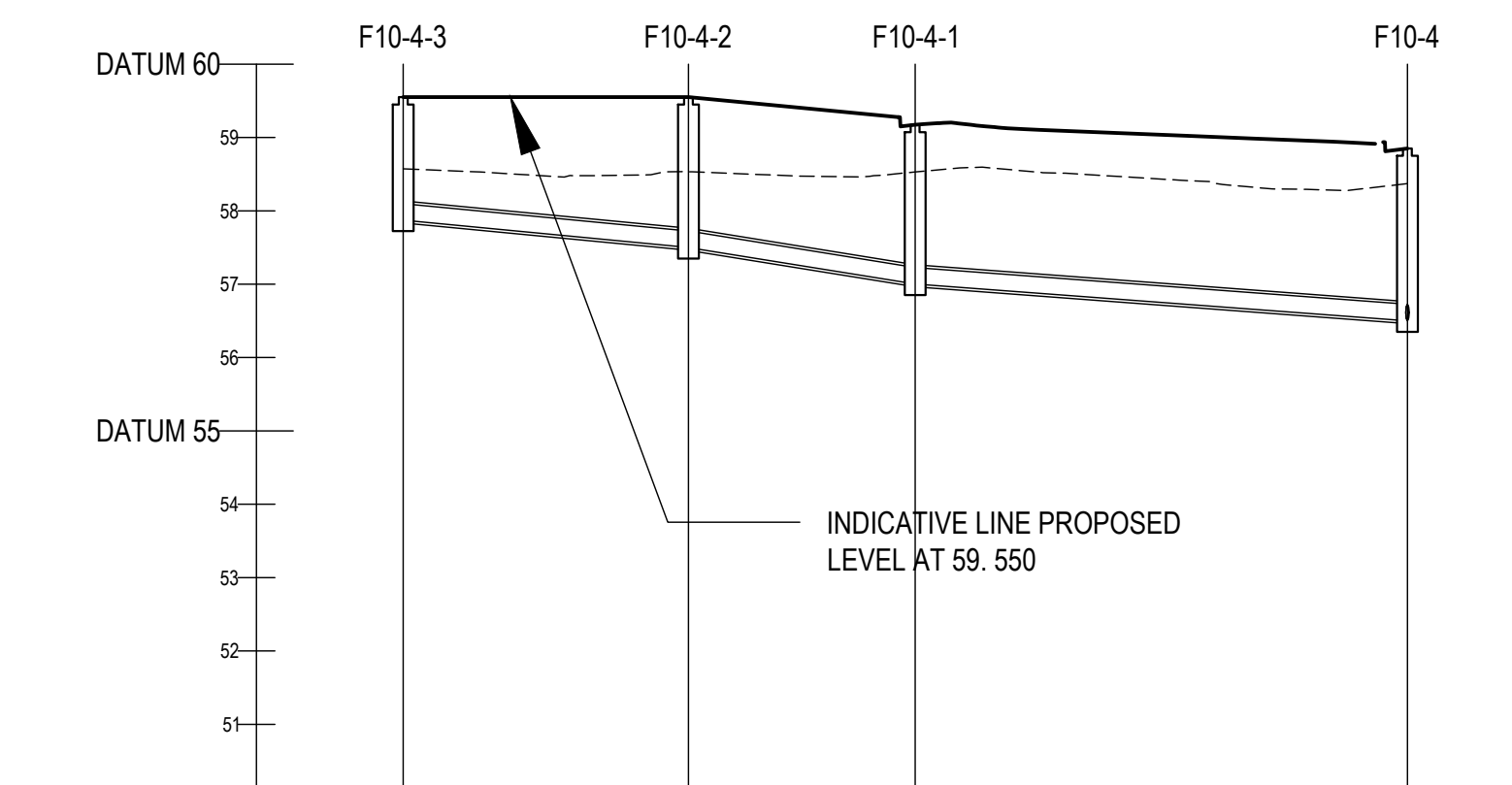
SCALE: H 1:500, V 1:100. DATUM: 55.000	
COVER LEVEL	59.965
INVERT LEVEL	57.400
DEPTH (m)	1.565
DISTANCE (m)	73.43
PIPE SLOPE	1.88
PIPE SIZE	225mm



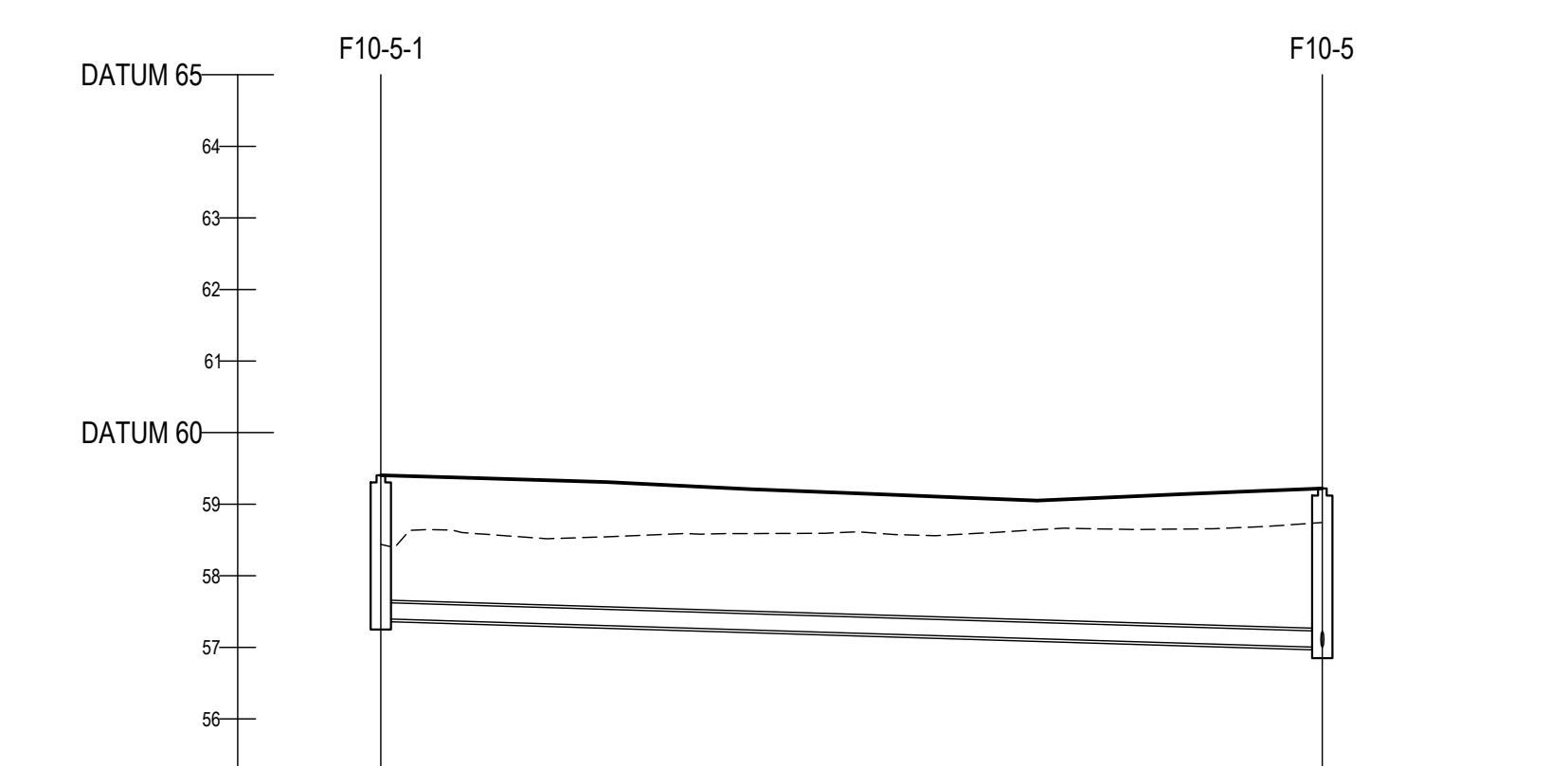
SCALE: H 1:500, V 1:100. DATUM: 51.000	
COVER LEVEL	59.926
INVERT LEVEL	55.613
DEPTH (m)	3.313
DISTANCE (m)	103.57
PIPE SLOPE	1.169
PIPE SIZE	225mm



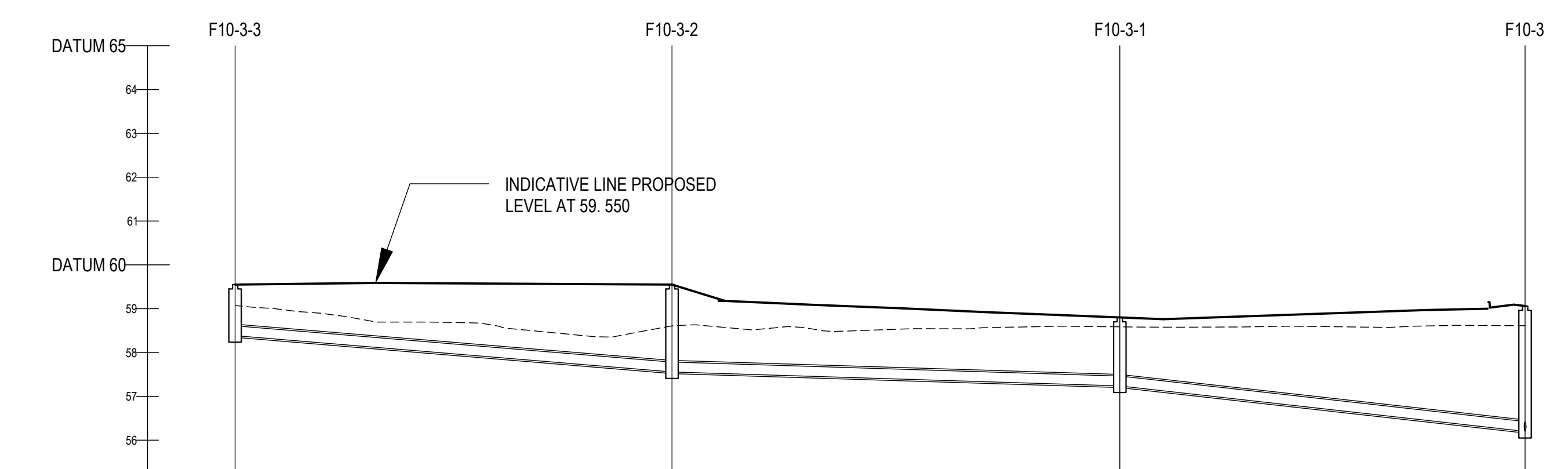
SCALE: H 1:500, V 1:100. DATUM: 50.000	
COVER LEVEL	59.975
INVERT LEVEL	57.735
DEPTH (m)	1.240
DISTANCE (m)	91.45
PIPE SLOPE	1.124
PIPE SIZE	225mm



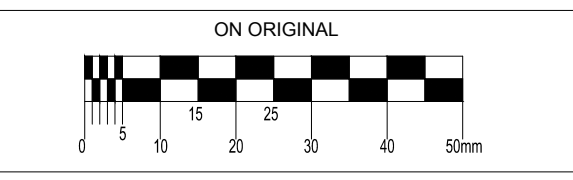
SCALE: H 1:500, V 1:100. DATUM: 50.000	
COVER LEVEL	59.950
INVERT LEVEL	57.873
DEPTH (m)	1.077
DISTANCE (m)	19.44
PIPE SLOPE	1.52
PIPE SIZE	225mm



SCALE: H 1:500, V 1:100. DATUM: 55.000	
COVER LEVEL	59.904
INVERT LEVEL	57.400
DEPTH (m)	2.004
DISTANCE (m)	65.72
PIPE SLOPE	1.164
PIPE SIZE	225mm



SCALE: H 1:500, V 1:100. DATUM: 55.000	
COVER LEVEL	59.950
INVERT LEVEL	58.385
DEPTH (m)	1.165
DISTANCE (m)	49.85
PIPE SLOPE	1.60
PIPE SIZE	225mm



ON ORIGINAL
 © COPYRIGHT OF THIS DRAWING IS RESERVED BY DBFL CONSULTING ENGINEERS. NO PART SHALL BE REPRODUCED OR TRANSMITTED WITHOUT THEIR WRITTEN PERMISSION.
 NO CHANGES OF WHATSOEVER NATURE ARE TO BE MADE TO ANY DETAILS SET OUT OR CONTAINED IN ANY DBFL SPECIFICATIONS OR DRAWINGS UNLESS THE EXPRESS CONSENT HAS BEEN OBTAINED IN ADVANCE, IN WRITING, FROM DBFL.

- NOTES:
1. ALL DRAWINGS TO BE CHECKED BY CONTRACTOR ON SITE AND ENGINEER INFORMED OF DISCREPANCIES BEFORE WORK COMMENCES
 2. ALL LEVELS ARE IN METRES AND ARE RELATED TO ORDNANCE DATUM
 3. CONTRACTOR SHALL SATISFY HIMSELF AS TO THE ACCURACY OF PAVEMENT LEVELS ON SITE PRIOR TO COMMENCEMENT OF WORKS ON SITE
 4. ALL WORKS TO BE CONSTRUCTED IN ACCORDANCE WITH THE NRA SPECIFICATION FOR ROAD WORKS UNLESS NOTED OTHERWISE
 5. THIS DRAWING IS FOR PLANNING PURPOSES ONLY
 6. MANHOLE COVER LEVELS ARE TO CONFORM WITH FINISHED ROAD AND PATH LEVELS
 7. WHERE COVER TO PIPE IS LESS THAN 100mm (ROAD/PATH/VERGE) OR 900mm (OPEN SPACE) SURROUND PIPE IN MINIMUM 150mm CONCRETE

KEY
 - - - - - EXISTING GROUND PROFILE
 _____ PROPOSED GROUND PROFILE

ORDNANCE SURVEY IRELAND LICENCE
 No EN 0017921
 © ORDNANCE SURVEY IRELAND
 GOVERNMENT OF IRELAND

P01	17-11-21	ISSUED FOR PLANNING	DKE	JPC
rev	date	description	by	chkd.
client approval	A - Approved			
	B - Approved with comments			
	C - Do not use			
suitability	SO - WORK IN PROGRESS		PLANNING	

DBFL Consulting Engineers
 Civil, Structural & Transportation Engineering
 www.dbfl.ie

DUBLIN OFFICE: Ormond House, Upper Ormond Quay, Dublin 7, D07 W074
 PHONE: +353 1 450 4000
 CORK OFFICE: 14 South Mall, Cork, T12 CT91
 PHONE: +353 21 2024538
 WATERFORD OFFICE: Suite 10 The Atrium, Maritime Gate, Canada Street, Waterford, X91 W028
 PHONE: +353 51 309 500

project ref.
CLONBURRIS PHASE 1A

drawing title
LONGITUDINAL SECTIONS THROUGH FOUL WATER SEWERS SHEET 3

client
CAIRN HOMES LTD

designed by	author	scale	sheet size
TCA	DKE	AS NOTED	A1
drawing no.	revision		
162119-DBFL-FW-SP-DR-C-3313	P01		