

© COPYRIGHT OF THIS DRAWING IS RESERVED BY DBFL CONSULTING ENGINEERS. NO PART SHALL BE REPRODUCED OR TRANSMITTED WITHOUT THEIR WRITTEN PERMISSION.  
 NO CHANGES OF WHATSOEVER NATURE ARE TO BE MADE TO ANY DETAILS SET OUT OR CONTAINED IN ANY DBFL SPECIFICATIONS OR DRAWINGS UNLESS THE EXPRESS CONSENT HAS BEEN OBTAINED IN ADVANCE, IN WRITING, FROM DBFL.

- NOTES:
1. ALL DRAWINGS TO BE CHECKED BY CONTRACTOR ON SITE AND ENGINEER INFORMED OF DISCREPANCIES BEFORE WORK COMMENCES
  2. ALL LEVELS ARE IN METRES AND ARE RELATED TO ORDNANCE DATUM
  3. CONTRACTOR SHALL SATISFY HIMSELF AS TO THE ACCURACY OF PAVEMENT LEVELS ON SITE PRIOR TO COMMENCEMENT OF WORKS ON SITE
  4. ALL WORKS TO BE CONSTRUCTED IN ACCORDANCE WITH THE NRA SPECIFICATION FOR ROAD WORKS UNLESS NOTED OTHERWISE
  5. THIS DRAWING IS FOR PLANNING PURPOSES ONLY
  6. MANHOLE COVER LEVELS ARE TO CONFORM WITH FINISHED ROAD AND PATH LEVELS
  7. WHERE COVER TO PIPE IS LESS THAN 100mm (ROAD/PATH/VERGE) OR 900mm (OPEN SPACE) SURROUND PIPE IN MINIMUM 150mm CONCRETE

KEY  
 - - - - - EXISTING GROUND PROFILE  
 \_\_\_\_\_ PROPOSED GROUND PROFILE

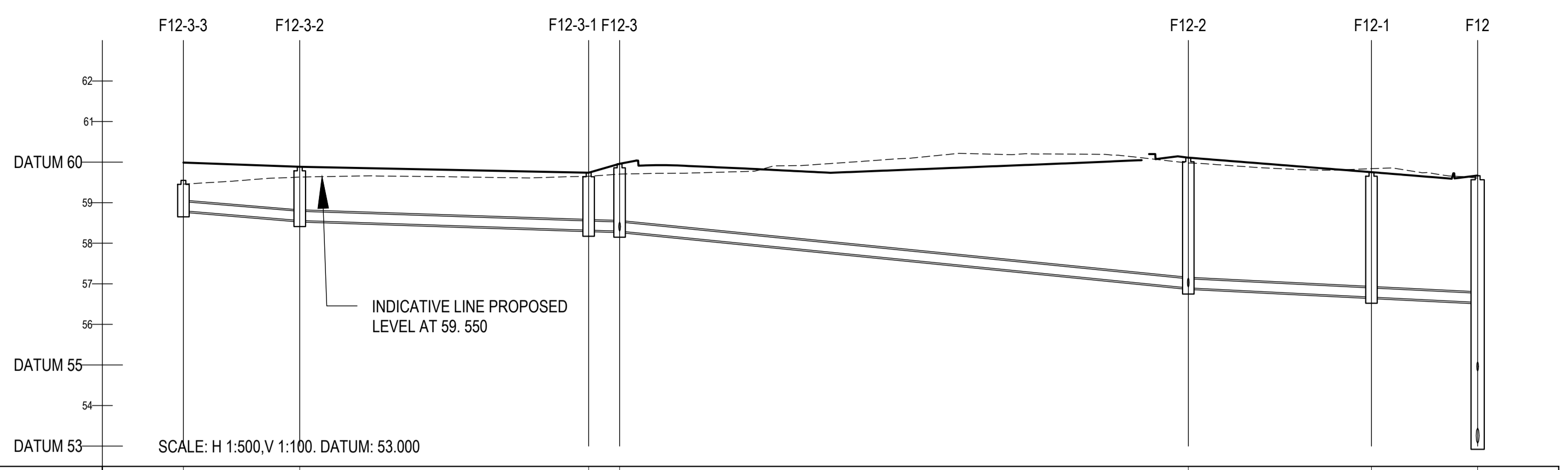
ORDNANCE SURVEY IRELAND LICENCE  
 No EN 0017921  
 © ORDNANCE SURVEY IRELAND  
 GOVERNMENT OF IRELAND

P01	17-11-21	ISSUED FOR PLANNING	DKE	JPC
rev	date	description	by	chkd.
client approval	A - Approved B - Approved with comments C - Do not use			
suitability	SO - WORK IN PROGRESS		PLANNING	

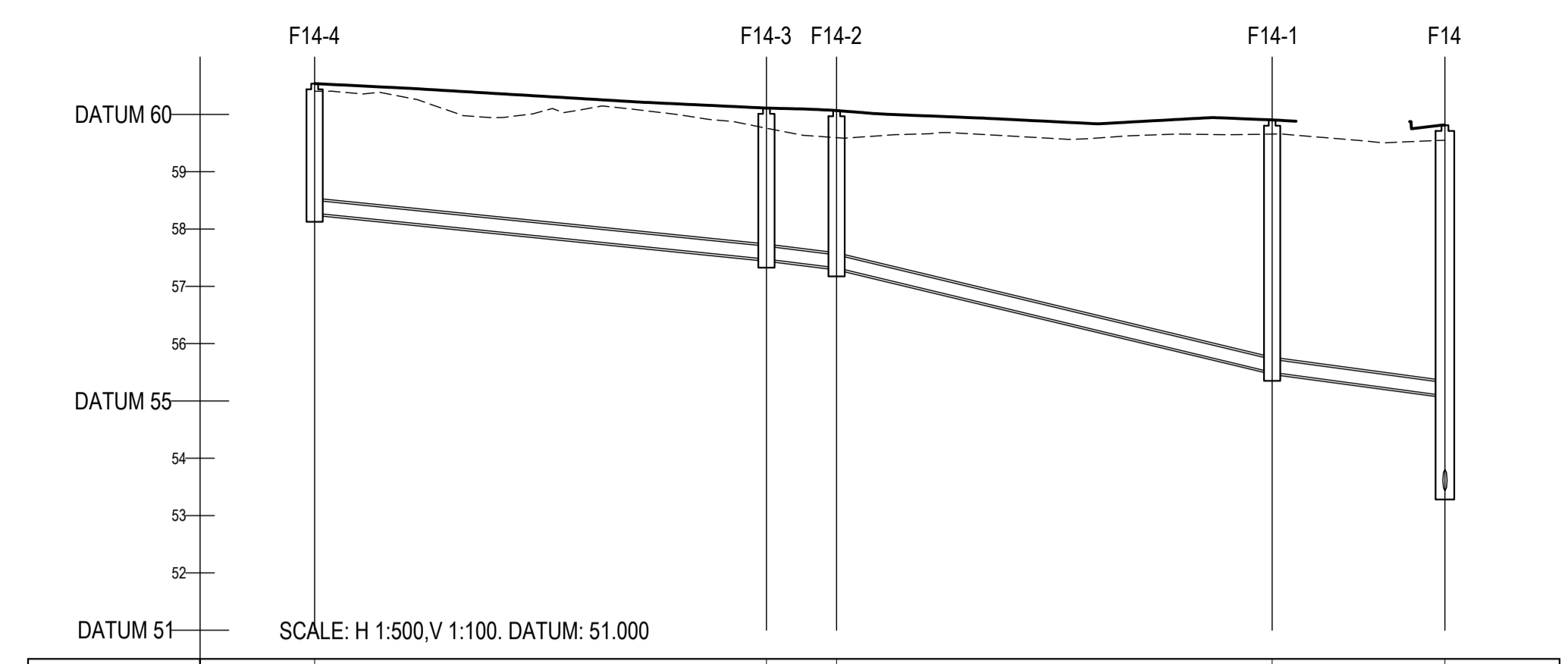
**DBFL Consulting Engineers**  
 Civil, Structural & Transportation Engineering  
 www.dbfl.ie  
 DUBLIN OFFICE: Ormond House, Upper Ormond Quay, Dublin 7, D07 W704  
 PHONE +353 1 456 4000  
 CORK OFFICE: 14 South Mall, Cork, T12 CT91  
 PHONE +353 21 2024538  
 WATERFORD OFFICE: Suite 10 The Atrium, Maritime Gate, Canada Street, Waterford, X91 W028  
 PHONE +353 51 309 500

project ref.  
**CLONBURRIS PHASE 1A**  
 drawing title  
**LONGITUDINAL SECTIONS THROUGH FOUL WATER SEWERS SHEET 2**  
 client  
**CAIRN HOMES LTD**

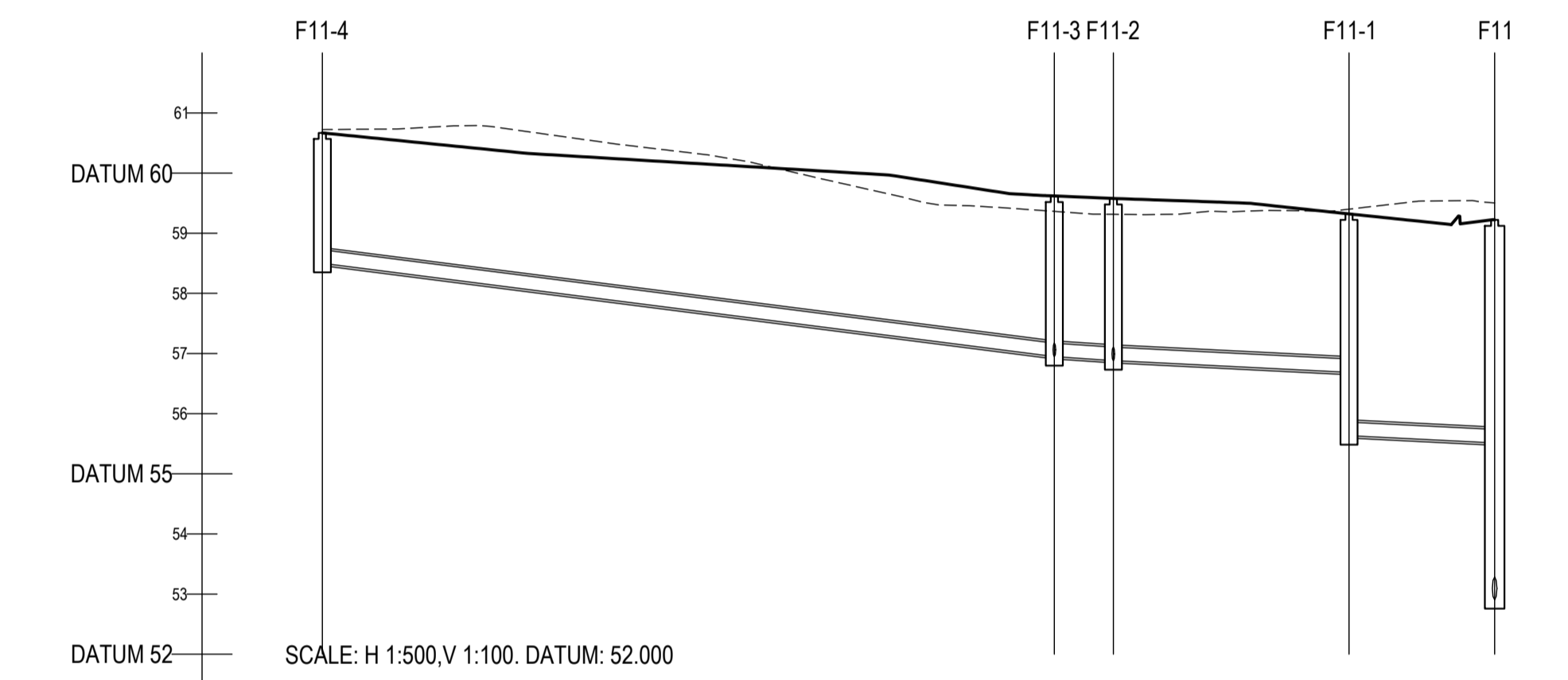
designed by	author	scale	sheet size
TCA	DKE	AS NOTED	A1
drawing no.	revision		
162119-DBFL-FW-SP-DR-C-3312	P01		



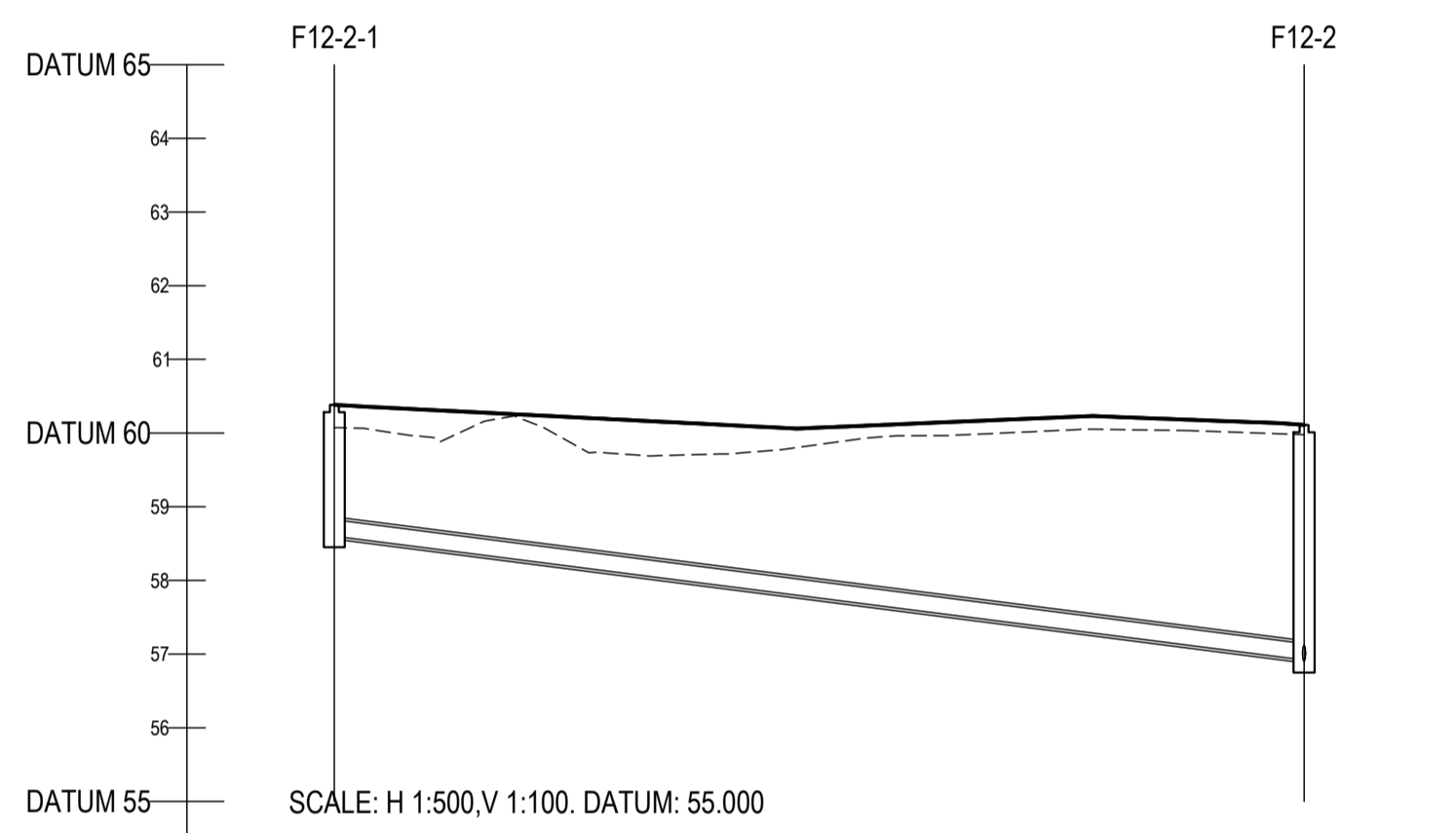
COVER LEVEL	59.550	59.886	59.739	59.659	60.110	59.752	59.665
INVERT LEVEL	59.800	4.000	59.551	59.551	59.323	59.898	59.898
DEPTH (m)	0.750	1.325	1.416	1.661	1.416	3.212	3.212
DISTANCE (m)	14.36	35.64	3.82	1.661	3.003	3.004	3.005
PIPE SLOPE	1:60	1:150	1:153	1:50	1:100	1:101	
PIPE SIZE	225mm	225mm	225mm	225mm	225mm	225mm	225mm



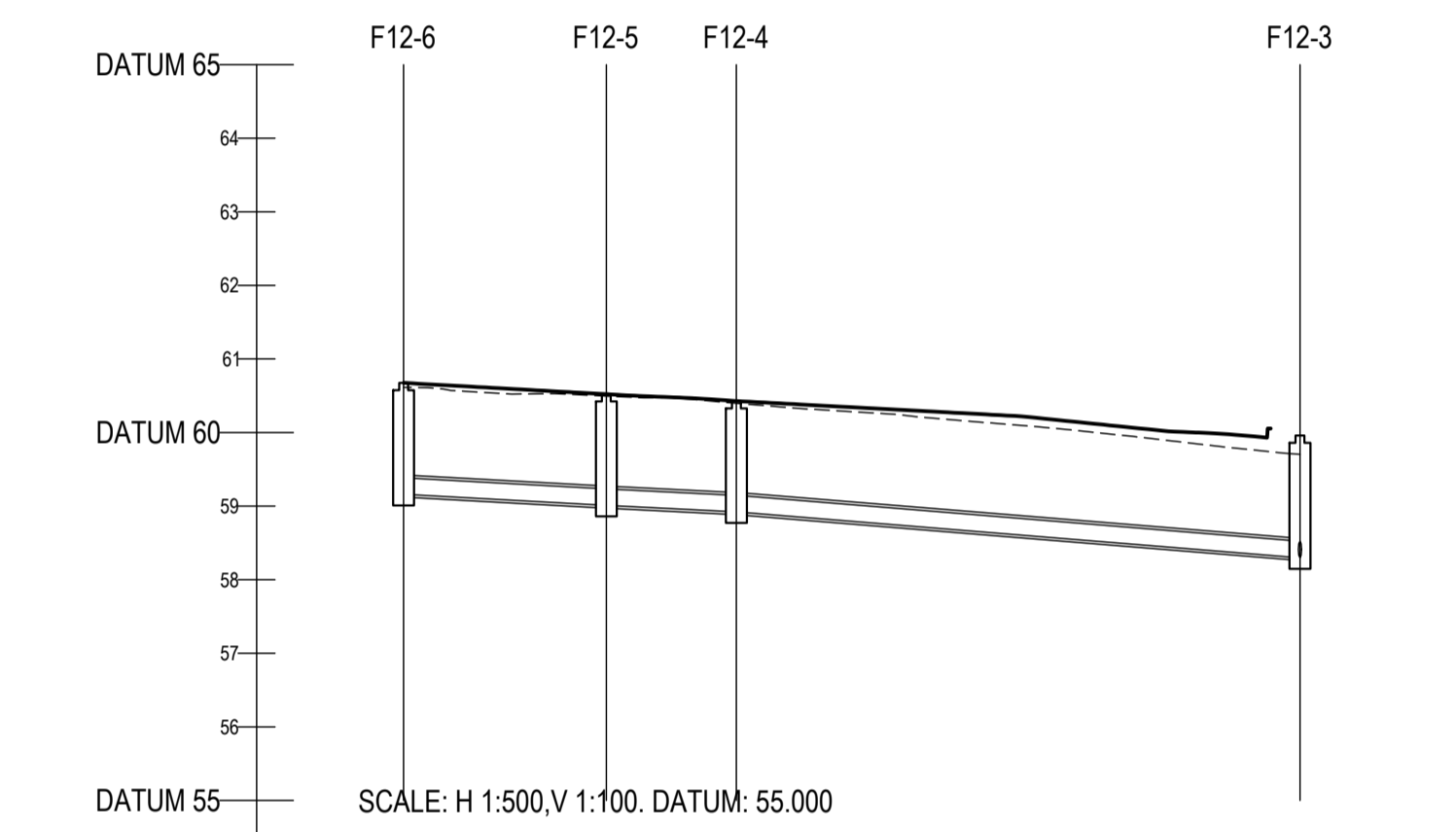
COVER LEVEL	60.537	60.110	60.067	59.903	59.812
INVERT LEVEL	59.275	2.000	57.475	57.475	55.003
DEPTH (m)	2.262	2.838	2.744	4.403	6.381
DISTANCE (m)	39.41	6.12	2.002	15.07	
PIPE SLOPE	1:49	1:40	1:21	1:37	
PIPE SIZE	225mm	225mm	225mm	225mm	



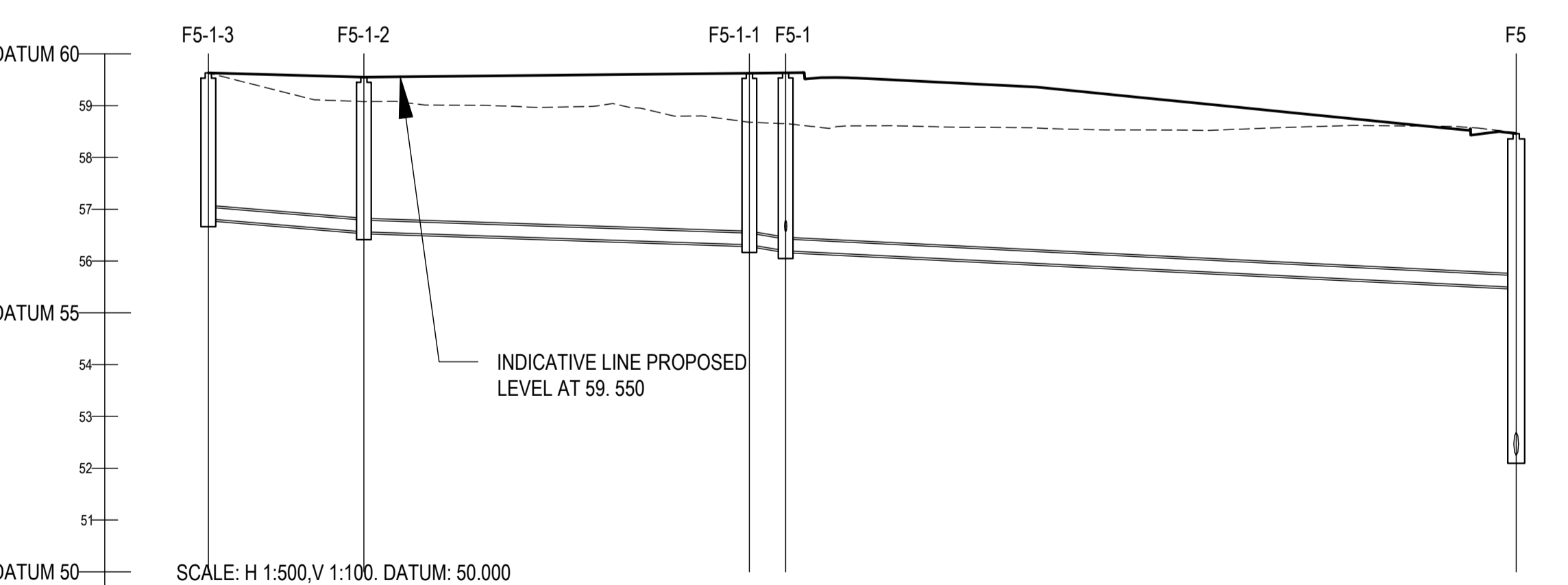
COVER LEVEL	60.669	59.620	59.579	59.321	59.223
INVERT LEVEL	59.500	7.000	59.948	59.620	59.620
DEPTH (m)	2.169	2.672	2.688	3.687	6.316
DISTANCE (m)	60.86	4.91	19.59	12.11	
PIPE SLOPE	1:39	1:73	1:100	1:100	
PIPE SIZE	225mm	225mm	225mm	225mm	



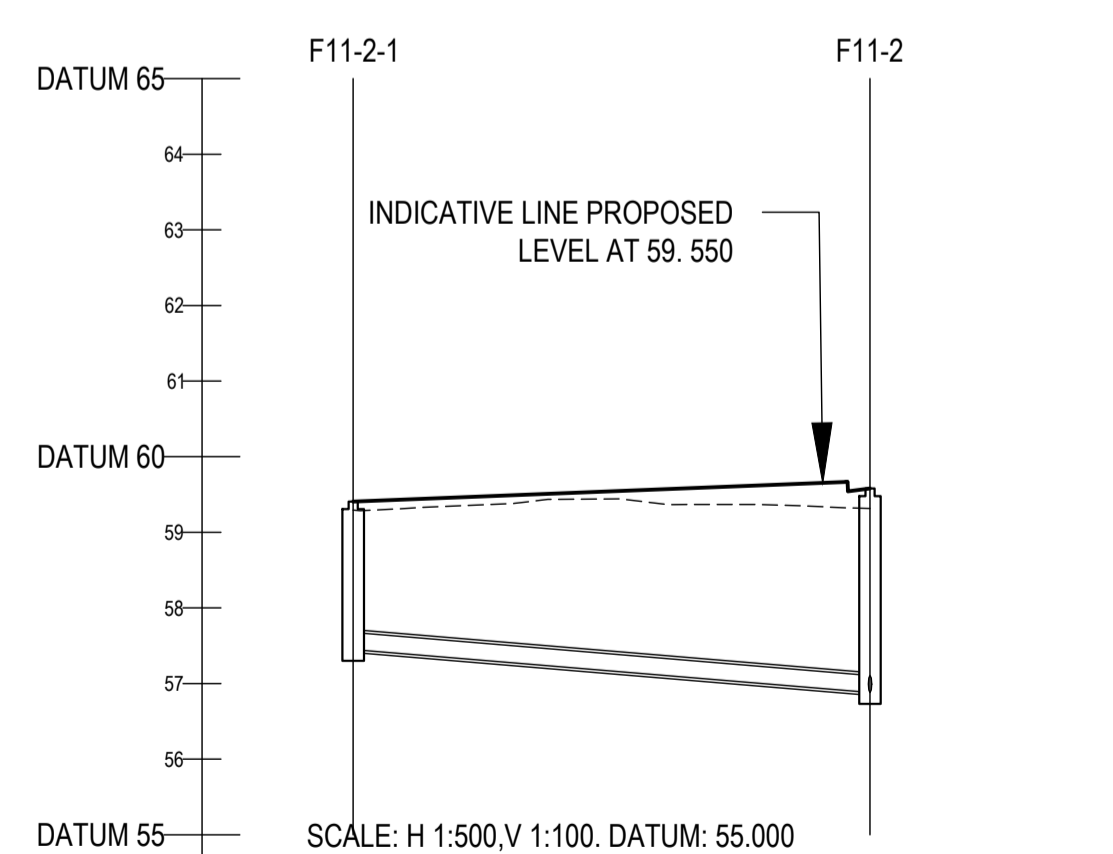
COVER LEVEL	60.384	60.110
INVERT LEVEL	59.000	59.919
DEPTH (m)	1.384	3.212
DISTANCE (m)	65.81	
PIPE SLOPE	1:39	
PIPE SIZE	225mm	



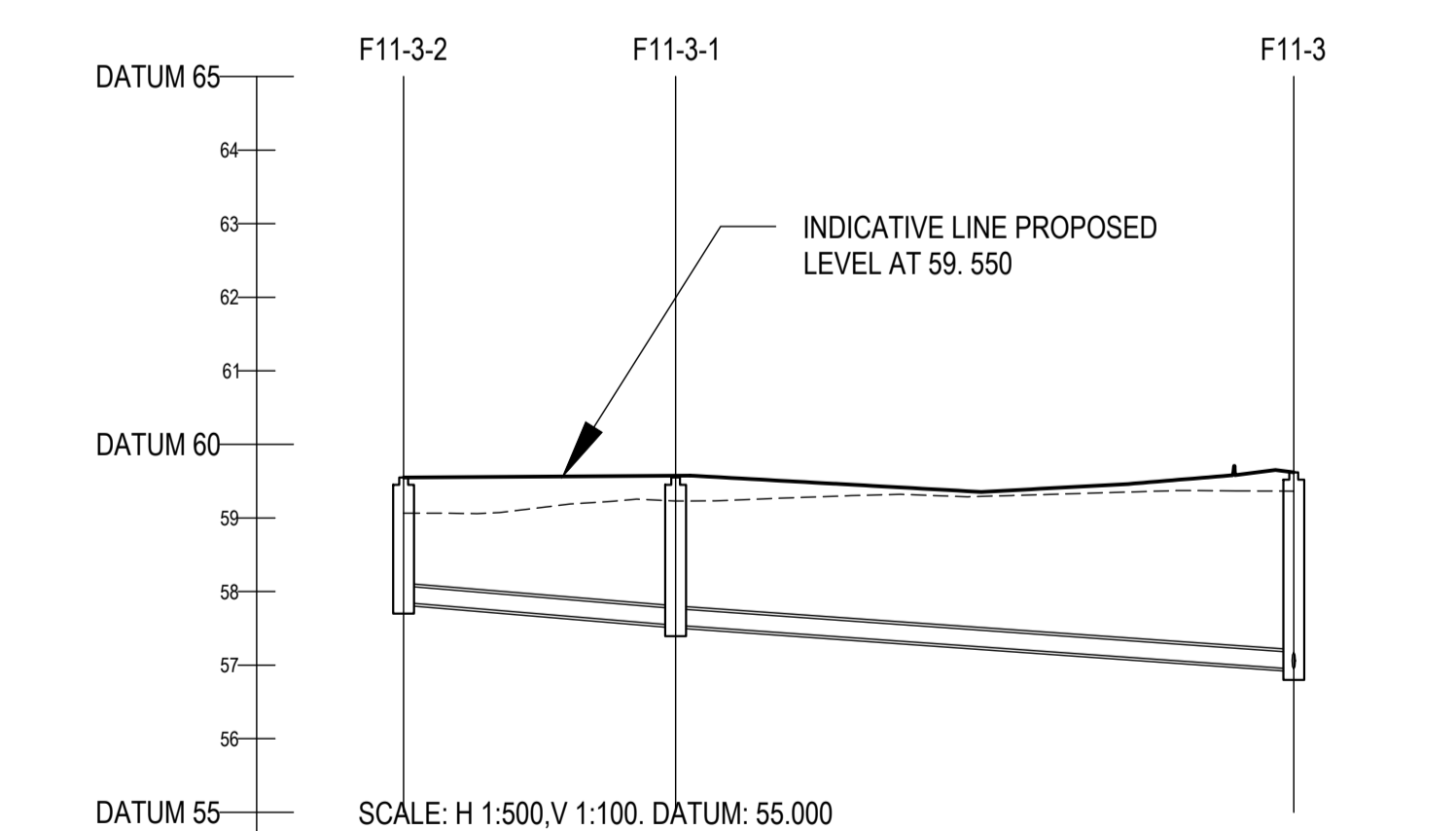
COVER LEVEL	60.675	60.523	60.428	59.859
INVERT LEVEL	59.160	59.010	59.010	58.295
DEPTH (m)	1.515	1.513	1.506	1.661
DISTANCE (m)	13.78	8.84	38.32	
PIPE SLOPE	1:92	1:100	1:61	
PIPE SIZE	225mm	225mm	225mm	



COVER LEVEL	59.631	59.550	59.627	59.624	59.459
INVERT LEVEL	56.813	18.000	56.315	56.827	55.693
DEPTH (m)	2.818	2.987	3.312	3.436	6.215
DISTANCE (m)	15.01	37.20	3.50	70.50	
PIPE SLOPE	1:60	1:150	1:30	1:100	
PIPE SIZE	225mm	225mm	225mm	225mm	



COVER LEVEL	59.407	59.579
INVERT LEVEL	57.450	56.881
DEPTH (m)	1.957	2.698
DISTANCE (m)	34.18	
PIPE SLOPE	1:60	
PIPE SIZE	225mm	



COVER LEVEL	59.550	59.550	59.620
INVERT LEVEL	57.661	8.000	57.543
DEPTH (m)	1.889	2.007	2.672
DISTANCE (m)	18.49	42.03	
PIPE SLOPE	1:60	1:71	
PIPE SIZE	225mm	225mm	