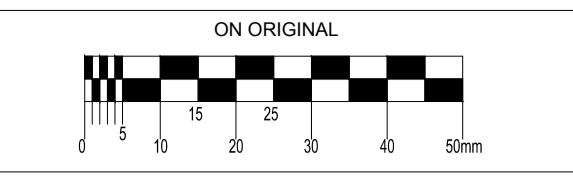


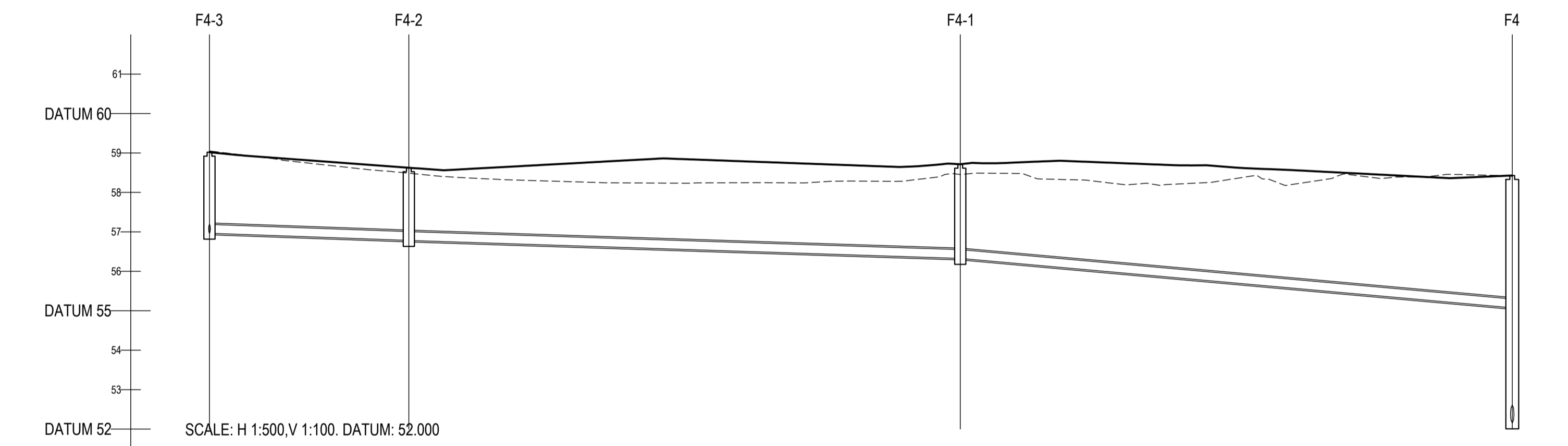
COVER LEVEL	61.567		61.140		60.721	60.699		60.612	60.693		60.428		59.501	59.335		59.019											
INVERT LEVEL	59.920	19.000	59.539	59.539	19.001	59.893	59.893	19.002	58.812	58.812	19.003	58.520	58.520	19.004	58.398	58.398	19.005	58.096	58.096	19.006	57.224	57.224	19.007	57.103	57.103	19.008	56.985
DEPTH (m)	1.647		1.601	1.601		1.628	1.628		1.687	1.687		2.092	2.092		2.296	2.296		2.372	2.372		2.269	2.269		2.232	2.232		2.054
DISTANCE (m)		40.21			60.95			14.68			20.46			12.15			35.18				67.42			18.00		22.04	
PIPE SLOPE		1:106			1:94			1:181			1:70			1:100			1:103				1:82			1:140		1:160	
PIPE SIZE		225mm			225mm			225mm			225mm			225mm			225mm				225mm			225mm		225mm	



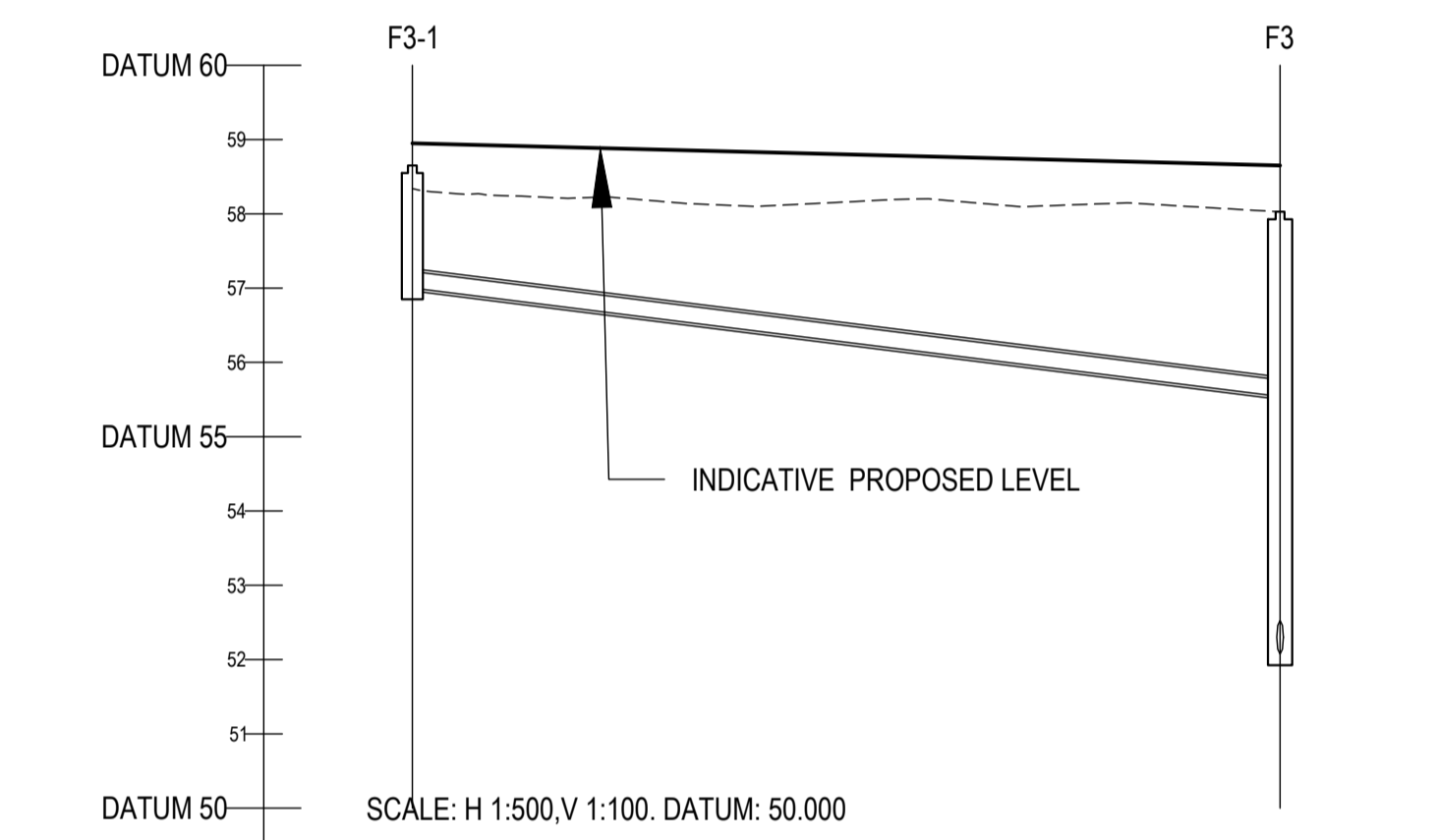
© COPYRIGHT OF THIS DRAWING IS RESERVED BY DBFL CONSULTING ENGINEERS. NO PART SHALL BE REPRODUCED OR TRANSMITTED WITHOUT THEIR WRITTEN PERMISSION.
 NO CHANGES OF WHATSOEVER NATURE ARE TO BE MADE TO ANY DETAILS SET OUT OR CONTAINED IN ANY DBFL SPECIFICATIONS OR DRAWINGS UNLESS THE EXPRESS CONSENT HAS BEEN OBTAINED IN ADVANCE, IN WRITING, FROM DBFL.

- NOTES:
1. ALL DRAWINGS TO BE CHECKED BY CONTRACTOR ON SITE AND ENGINEER INFORMED OF DISCREPANCIES BEFORE WORK COMMENCES
 2. ALL LEVELS ARE IN METRES AND ARE RELATED TO ORDNANCE DATUM
 3. CONTRACTOR SHALL SATISFY HIMSELF AS TO THE ACCURACY OF PAVEMENT LEVELS ON SITE PRIOR TO COMMENCEMENT OF WORKS ON SITE
 4. ALL WORKS TO BE CONSTRUCTED IN ACCORDANCE WITH THE NRA SPECIFICATION FOR ROAD WORKS UNLESS NOTED OTHERWISE
 5. THIS DRAWING IS FOR PLANNING PURPOSES ONLY
 6. MANHOLE COVER LEVELS ARE TO CONFORM WITH FINISHED ROAD AND PATH LEVELS
 7. WHERE COVER TO PIPE IS LESS THAN 100mm (ROAD/PATH/VERGE) OR 900mm (OPEN SPACE) SURROUND PIPE IN MINIMUM 150mm CONCRETE

KEY
 - - - - - EXISTING GROUND PROFILE
 _____ PROPOSED GROUND PROFILE

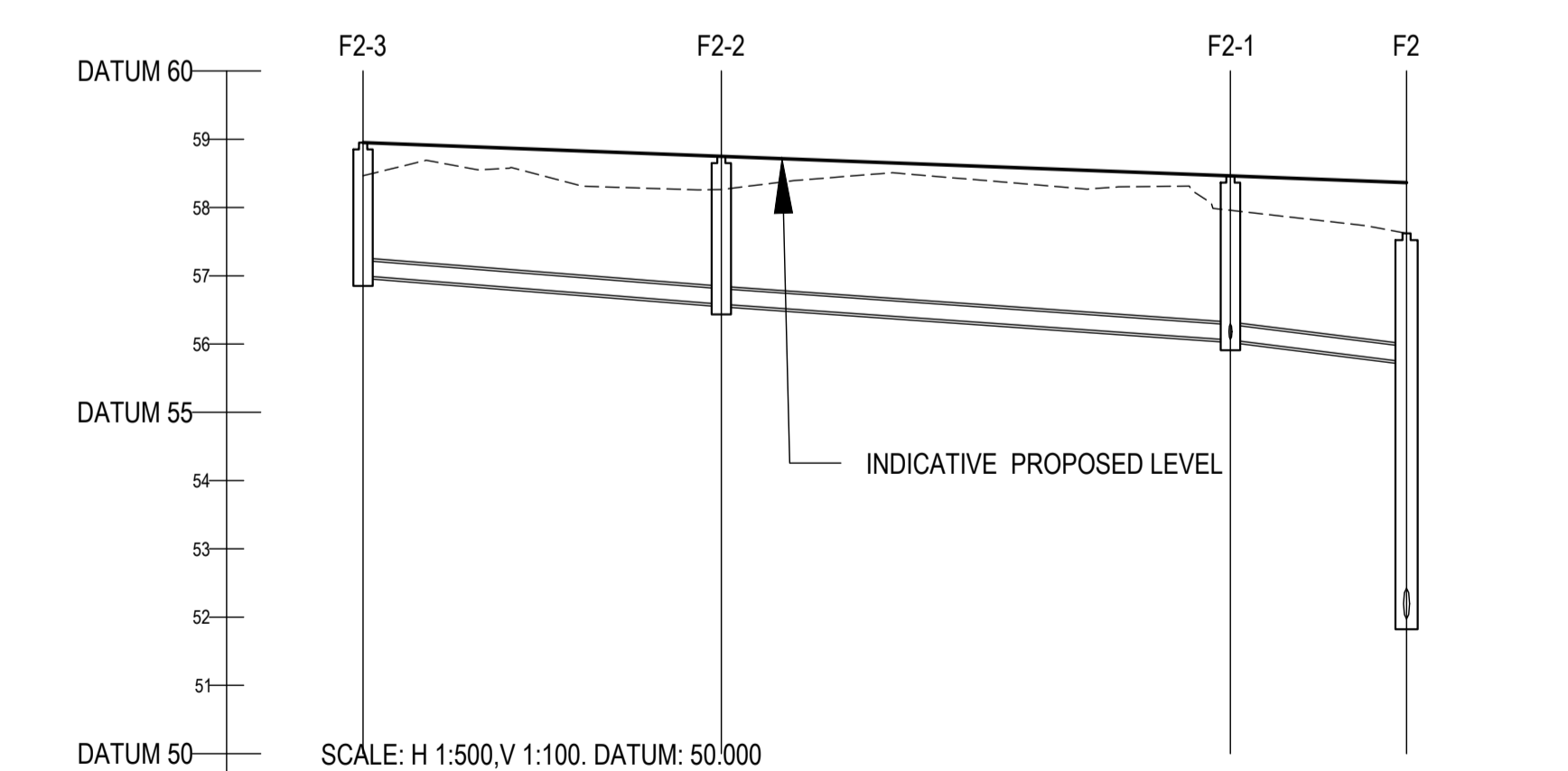


COVER LEVEL	59.019		58.626		58.715		58.429		
INVERT LEVEL	56.965	19.009	56.792	56.792	19.010	56.326	56.326	19.011	55.074
DEPTH (m)	2.054		1.894	1.894		2.389	2.389		6.672
DISTANCE (m)		25.30			69.99			70.06	
PIPE SLOPE		1:138			1:153			1:56	
PIPE SIZE		225mm			225mm			225mm	

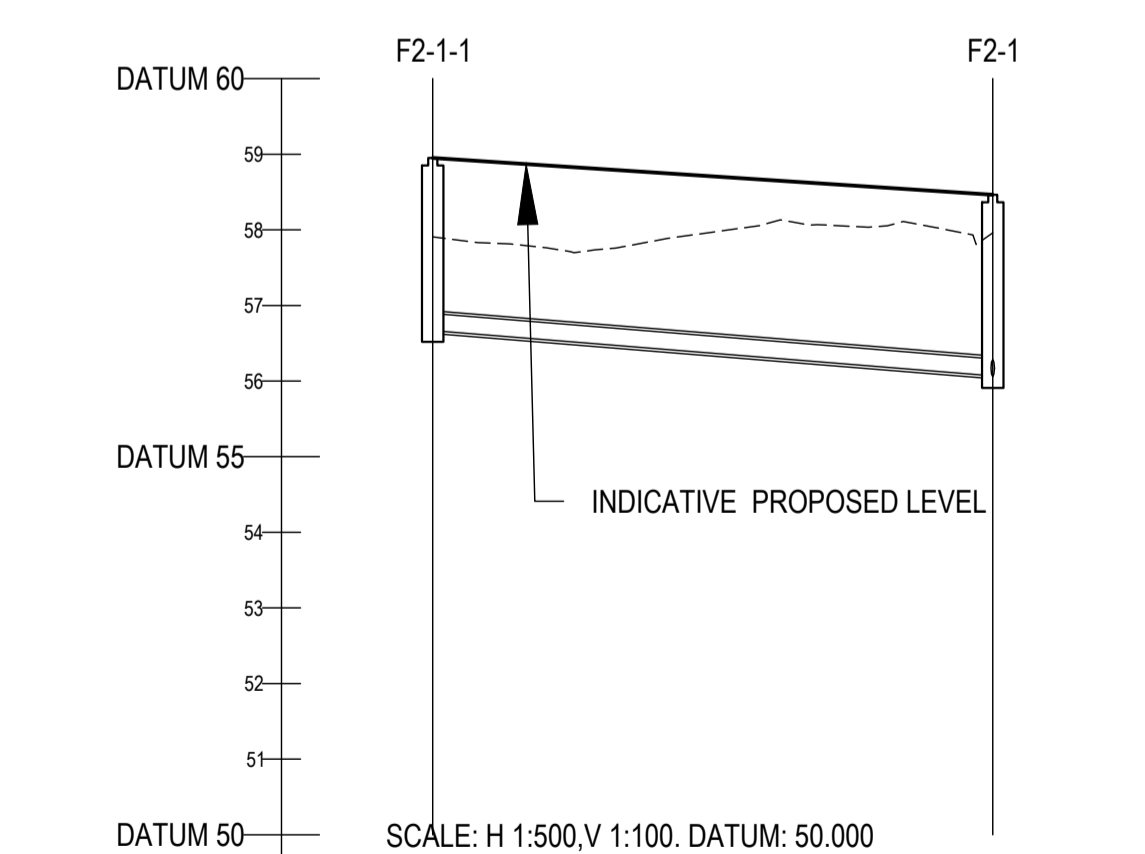


COVER LEVEL	58.650		58.028
INVERT LEVEL	57.000	20.000	55.540
DEPTH (m)	1.650		5.993
DISTANCE (m)		58.38	
PIPE SLOPE		1:40	
PIPE SIZE		225mm	

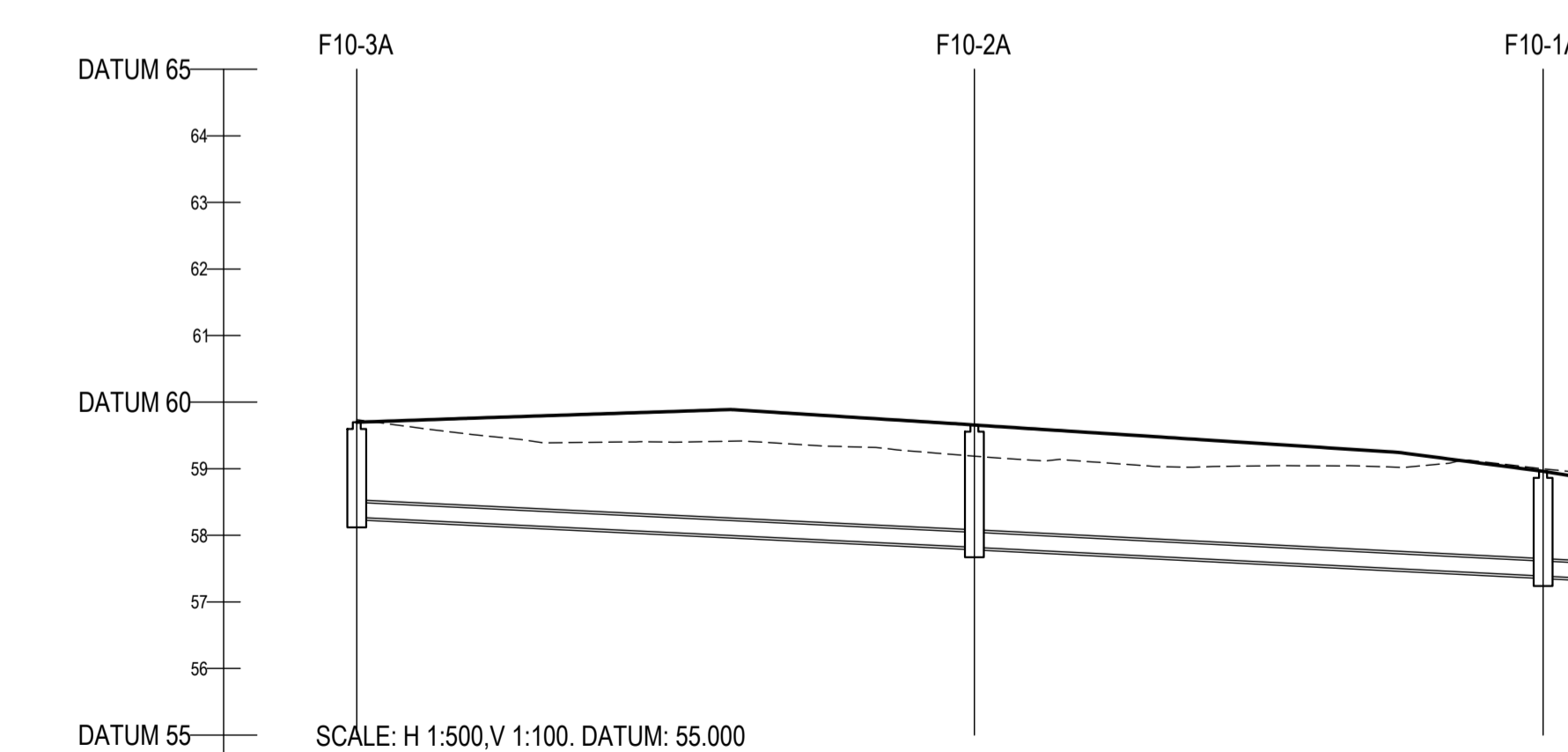
ORDNANCE SURVEY IRELAND LICENCE
 No EN 0017921
 © ORDNANCE SURVEY IRELAND
 GOVERNMENT OF IRELAND



COVER LEVEL	58.850		58.749		58.464		57.622		
INVERT LEVEL	57.000	21.000	56.894	56.894	21.001	56.099	56.099	21.002	55.737
DEPTH (m)	1.850		2.105	2.105		2.405	2.405		5.690
DISTANCE (m)		26.23			37.28			12.90	
PIPE SLOPE		1:63			1:71			1:40	
PIPE SIZE		225mm			225mm			225mm	



COVER LEVEL	58.950		58.464
INVERT LEVEL	56.668	22.000	56.099
DEPTH (m)	2.282		2.405
DISTANCE (m)		37.04	
PIPE SLOPE		1:62	
PIPE SIZE		225mm	



COVER LEVEL	59.697		59.696		58.961				
INVERT LEVEL	58.270	10.000	57.800	57.800	10.001	57.385	57.385	10.002	57.261
DEPTH (m)	1.427		1.896	1.896		1.573	1.573		1.701
DISTANCE (m)		46.40			42.72			9.66	
PIPE SLOPE		1:103			1:99			1:100	
PIPE SIZE		225mm			225mm			225mm	

rev	date	description	by	chkd.
P01	17-11-21	ISSUED FOR PLANNING	DKE	JPC
A		Approved		
B		Approved with comments		
C		Do not use		

DBFL Consulting Engineers
 Civil, Structural & Transportation Engineering
 www.dbfl.ie

DUBLIN OFFICE: Ormond House, Upper Ormond Quay, Dublin 7, D07 W704
 PHONE: +353 1 450 4000
 CORK OFFICE: 14 South Mall, Cork, T12 CT91
 PHONE: +353 21 204538
 WATERFORD OFFICE: Suite 10 The Arkun, Maritime Gate, Canada Street, Waterford, X91 W028
 PHONE: +353 51 309 500

project ref.
CLONBURRIS PHASE 1A

drawing title
LONGITUDINAL SECTIONS THROUGH FOUL WATER SEWERS SHEET 1

client
CAIRN HOMES LTD

designed by	author	scale	sheet size
TCA	DKE	AS NOTED	A1
drawing no.	revision		
162119-DBFL-FW-SP-DR-C-3311	P01		