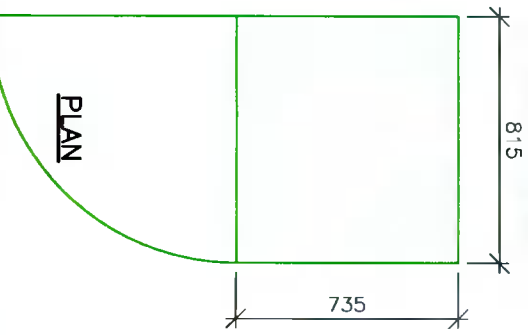
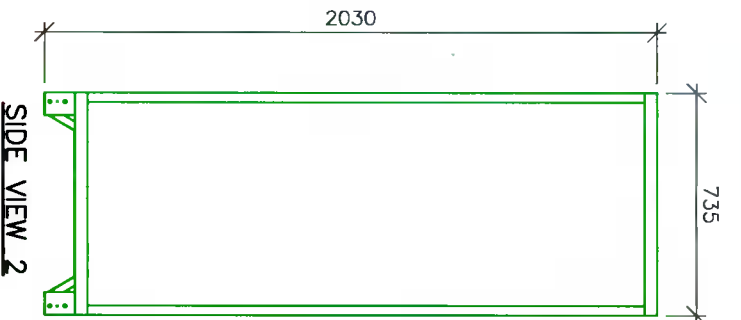
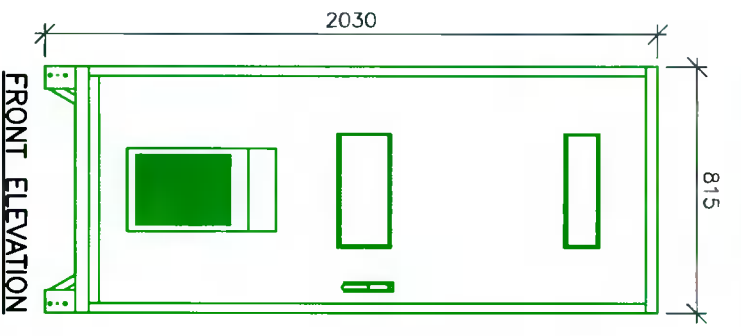
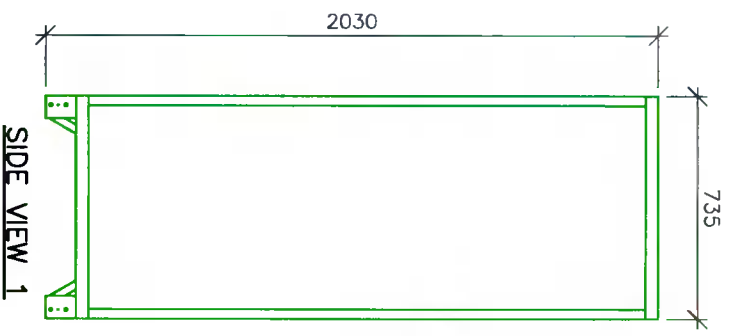
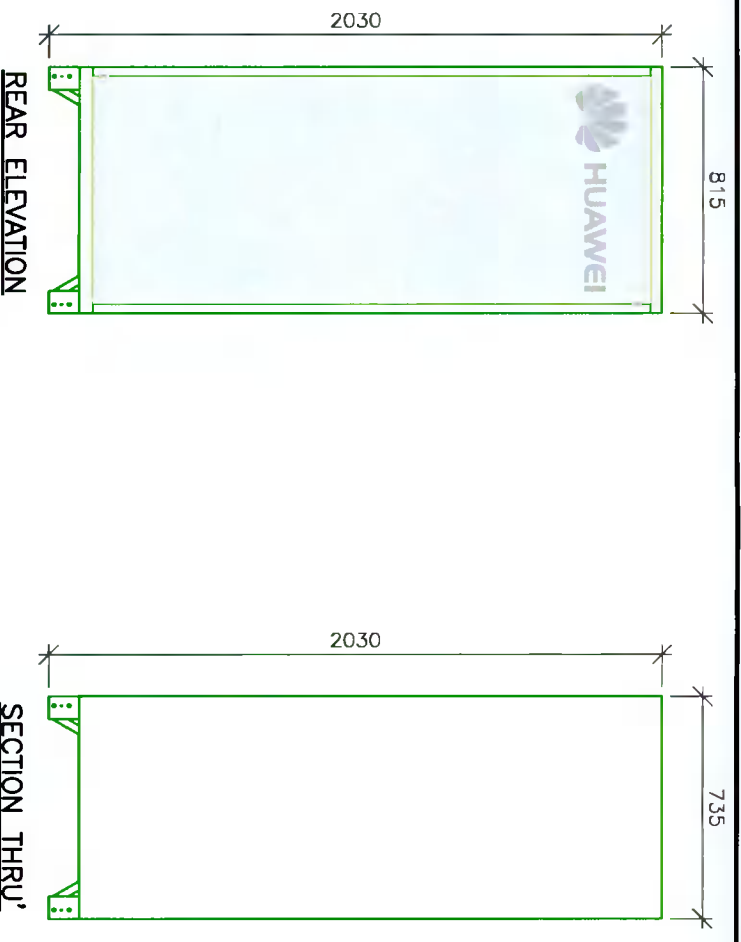


- GENERAL NOTES**
1. Do not scale.
 2. All dimensions to be in mm unless specified otherwise.
 3. This drawing read in conjunction with the network scope of works and all relevant engineers and specialist drawings.
 4. All works to be in accordance with the network and current health and safety legislation.
 5. Specification of the works to be to the appropriate Irish standard or the equivalent British standard.
 6. All works to be carried out in strict accordance with project specifications.



No.	Description	Revision	Date	By	Check
1	EXISTING SITE BOUNDARY IN RED UPDATED AND PROPOSED PLAN & ELEVATION PAGES UPDATED		15/12/2021	SP	ED
2	PLANNING APPLICATION DRAWING		30/11/2021	SM	SJF

celmex
driving telecom connectivity
Signal Infrastructure Ltd
Suite 311 O'Haus, 76 Purze Road Sandycord
Industrial Estate
Dublin 10, D10 V90, IRELAND

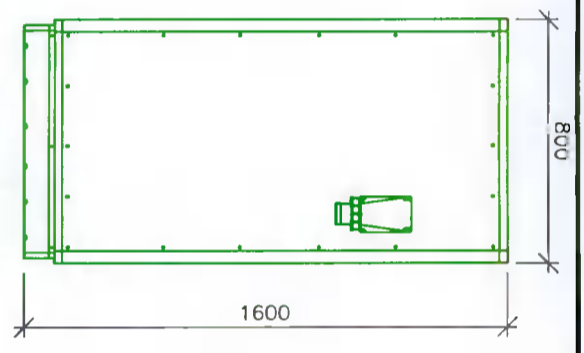
INDIGO
ENGINEERING A DIGITAL FUTURE
Cloughkeating Avenue,
Rahree Business Pk, Limerick, V94 V488
IRELAND

Site Code: **CIG_02499**
Structure Height: **21m**
Structure Type: **MONOPOLE**
Site Name: **SUREWELD INTERNATIONAL LTD., FONTHILL, LUCAN, CO. DUBLIN**

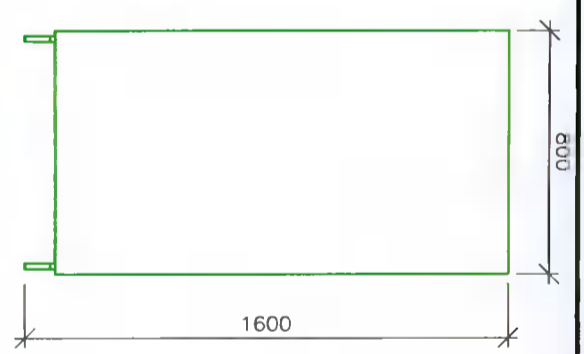
Title: **PROPOSED FUTURE OPERATOR (2) CABINET DETAILS**
Drawing: **PLANNING APPLICATION DRAWING**
Scale: **AS SHOWN**
Rev: **A**

PROPOSED FUTURE OPERATOR (2) CABINET DETAILS
SCALE 1:25

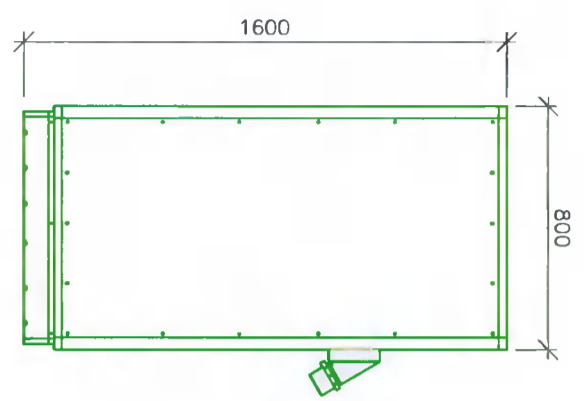
- GENERAL NOTES**
1. Do not scale.
 2. All dimensions to be in mm unless specified otherwise.
 3. This drawing read in conjunction with the relevant scope of works and all relevant engineers and specialist drawings.
 4. All works to be in accordance with the network and current health and safety legislation.
 5. Specification of the works to be to the appropriate Irish standard or the equivalent British standard.
 6. All works to be carried out in strict accordance with project specifications.



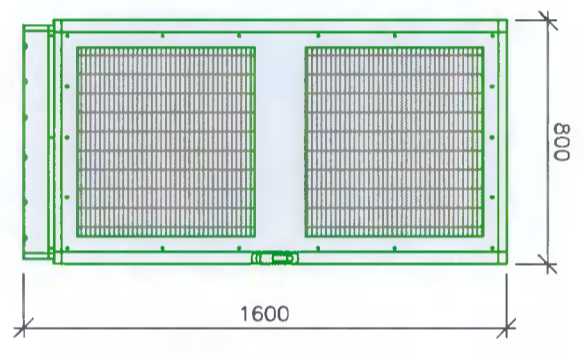
REAR ELEVATION



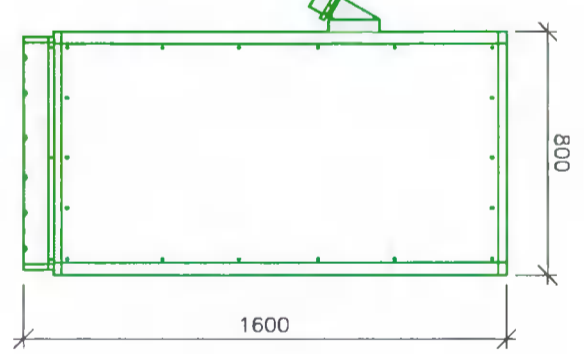
SECTION THRU



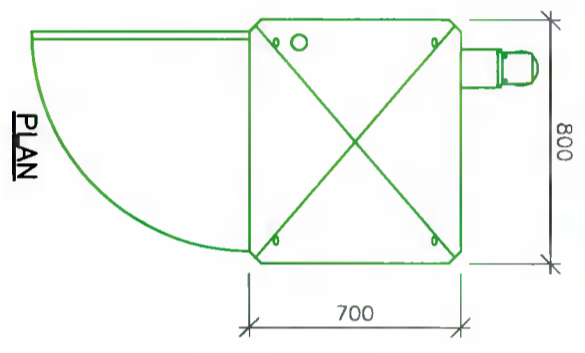
SIDE VIEW 1



FRONT ELEVATION



SIDE VIEW 2



PLAN



Signal Infrastructure Ltd
 Suite 311 Q House, 76 Purza Road Sandycroft
 Industrial Estate
 Dublin 18, D18 V50, IRELAND



Cloughkilting Avenue,
 Rahsaan Business Park, Limerick, V94 V988,
 IRELAND

Site Code	CG_02499
Structure Height	21m
Structure Type	MONOPOLE
Span Width	-
Site Name	SUREWELD INTERNATIONAL LTD, FONTHILL, LUCAN, Co. DUBLIN

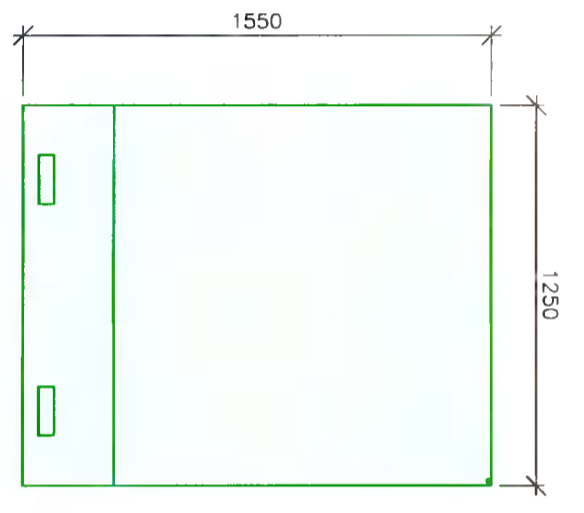
Project Name	PROPOSED FUTURE BROADBAND OPERATOR (3) CABINET DETAILS
Drawing Title	PLANNING APPLICATION DRAWING
Design No.	CG_02499-111 PA
Scale	AS SHOWN
Drawn By	SI
Checked By	SI
Date	29/11/2021
Scale	AS SHOWN
Rev.	A

THIS DRAWING IS THE PROPERTY OF SIGNAL INFRASTRUCTURE LTD (TRADING AS CELMEX TELECOM) AT ALL TIMES, AND MUST NOT BE COPIED, TRACED OR REPRODUCED WITHOUT THEIR PERMISSION

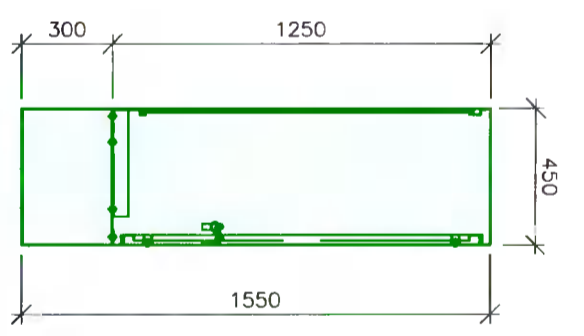
PROPOSED FUTURE BROADBAND OPERATOR (3) CABINET DETAILS
 SCALE 1:25

GENERAL NOTES

1. Do not scale.
2. All dimensions to be in mm unless specified otherwise.
3. This drawing read in conjunction with the relevant scope of works and all relevant engineers and specialist drawings.
4. All works to be in accordance with the relevant and current health and safety legislation.
5. Specification of the works to be to the appropriate high standard or the equivalent British standard.
6. All works to be carried out in strict accordance with project specifications.



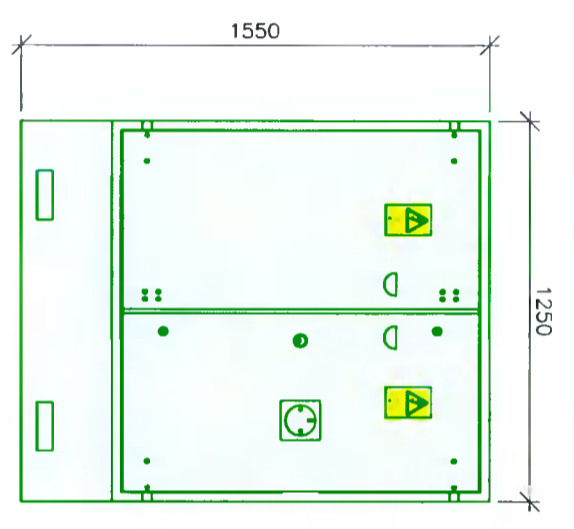
REAR ELEVATION



SECTION 'THRU'



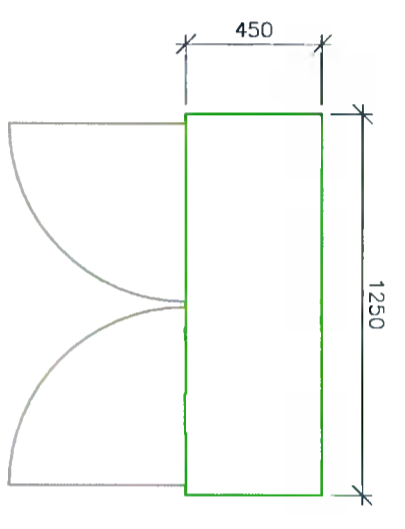
SIDE VIEW 1



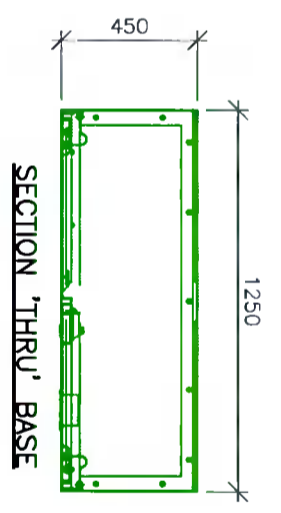
FRONT ELEVATION



SIDE VIEW 2



PLAN



SECTION 'THRU' BASE

PROPOSED MMU CABINET DETAILS
SCALE 1:25



NO.	REVISION	DATE	BY	CHKD
1	EXISTING SITE BOUNDARY IN RED UPDATED AND PROPOSED PLAN & ELEVATION PAGES UPDATED	15/12/2021	SP	ED
2	PLANNING APPLICATION DRAWINGS	30/11/2021	SI	SWF

cellnex
driving telecom connectivity

Signal Infrastructure Ltd
Suite 311 Q House, 78 Purze Road Sandymount
Industrial Estate,
Dublin 18, D18 YV90, IRELAND

INDIGO
ENGINEERING A DIGITAL FUTURE

Cloaghkeating Avenue,
Raheween Business Park, Limerick, V94 VY98,
IRELAND

Site Code	CG_02499
Structure Height	21m
Structure Type	MONOPOLE
Span Name	SUREWELD INTERNATIONAL LTD, FONTHILL, LUCAN, Co. DUBLIN
Title	PROPOSED MMU CABINET DETAILS
Issue	PLANNING APPLICATION DRAWING
Designed	LI
Drawn	SI
Date	29/11/2021
Scale	AS SHOWN
Dwg No.	CG_02499-112 PA
Rev.	A