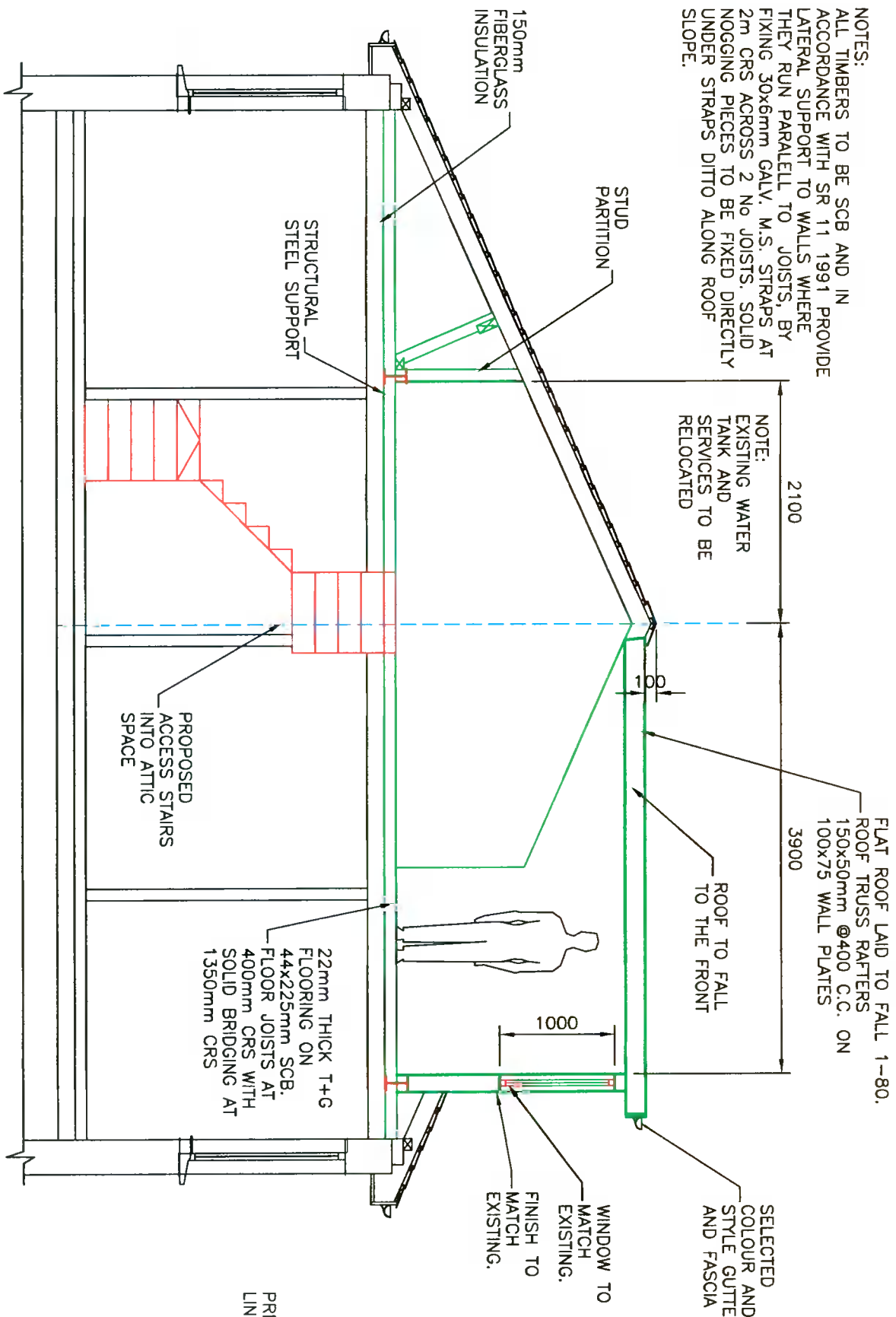
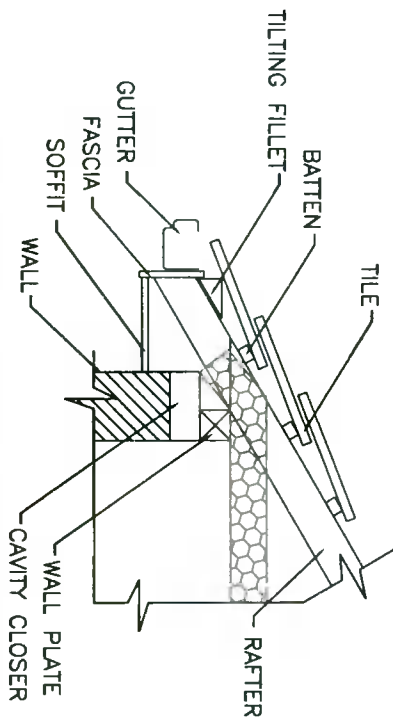


NOTES:  
 ALL TIMBERS TO BE SCB AND IN ACCORDANCE WITH SR 11 1991 PROVIDE LATERAL SUPPORT TO WALLS WHERE THEY RUN PARALLEL TO JOISTS, BY FIXING 30x6mm GALV. M.S. STRAPS AT 2m CRS ACROSS 2 NO JOISTS. SOLID NOGGING PIECES TO BE FIXED DIRECTLY UNDER STRAPS DITTO ALONG ROOF SLOPE.

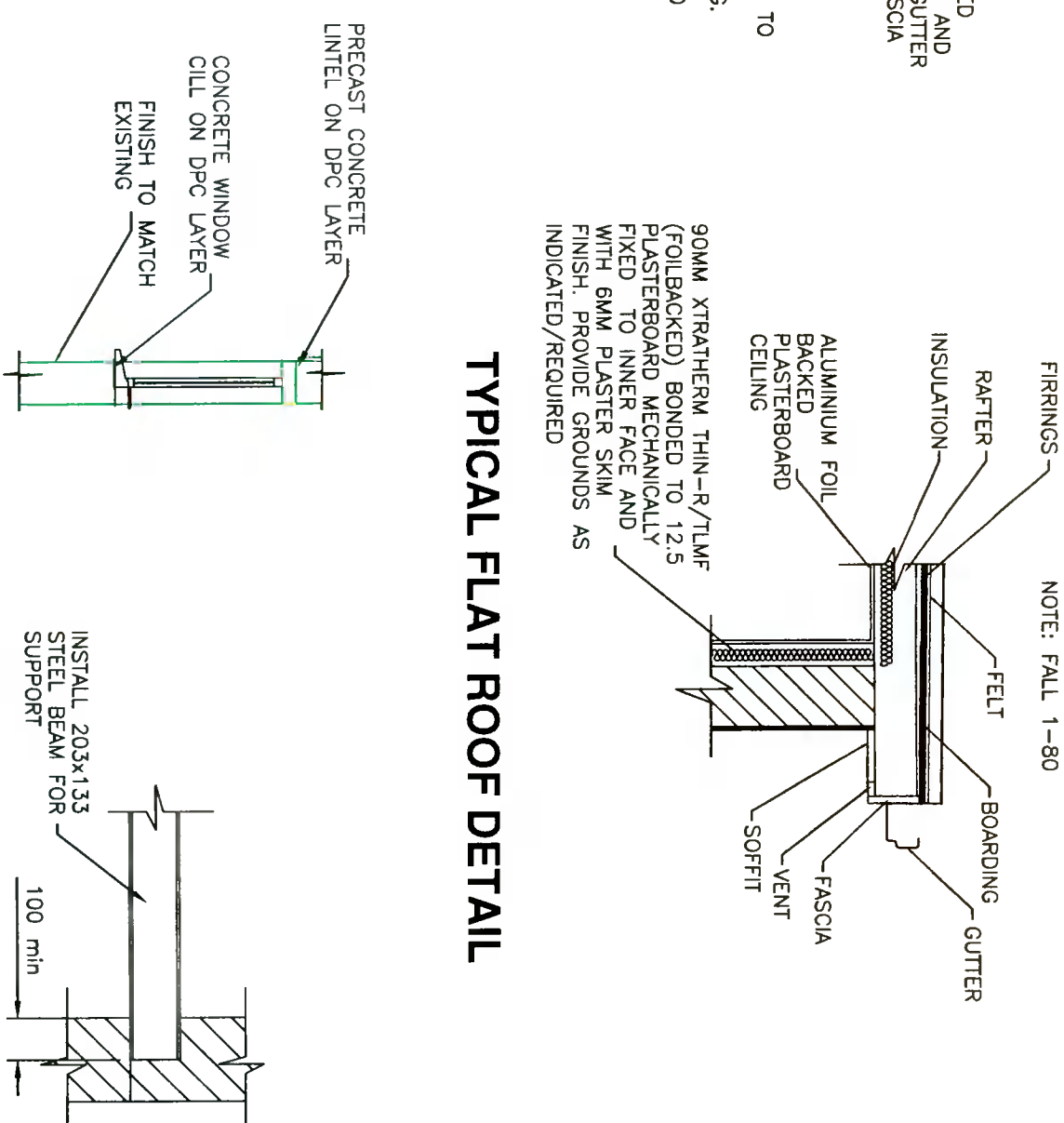


**SECTION VIEW SHOWING PROPOSED ATTIC CONVERSION**



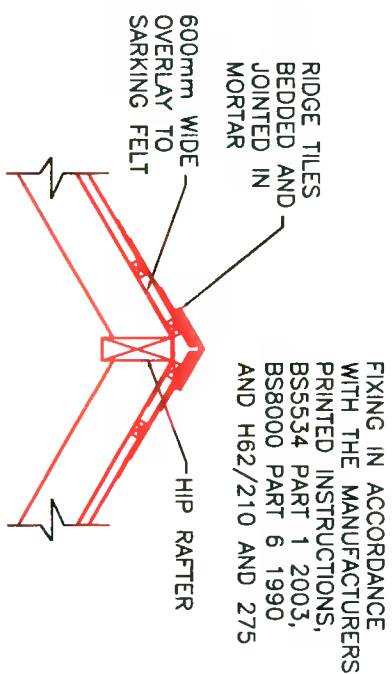
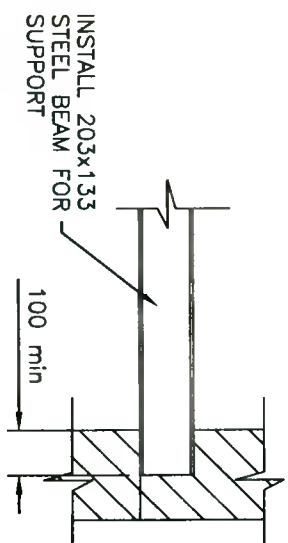
**TYPICAL ROOF DETAIL**

1. Mortar 1:3 cement/sand pigmented to approved colour.
2. Fix 600mm wide underlay, overlapping the main underlay
3. Fix hip to iron (to BS 5534: Part 1: Clause 12) to hip rafter.
4. Cut slates to fit closely at junction.
5. Lay hip ridge tiles true and bed edges and joints firmly in mortar.
5. Cut first tile to provide a flush finish.
6. Fill end of hip with mortar and slips of slate finished flush.



**TYPICAL WINDOW DETAIL**

**TYPICAL FLAT ROOF DETAIL**



The information contained in this drawing is confidential and must not be divulged to any third party without the written consent of 4bes Design Services.



38 Larkfield Avenue  
 Lucan  
 Co. Dublin

24 Castlefield Court,  
 Knocklyon,  
 Dublin 16

PROPOSED SECTION AND  
 DETAILS

DRAWN	JOHN FORBES , 38 LARKFIELD AVE. , LUCAN, Co. DUBLIN
DATE	Nov 2021
SCALE	1:50 @ A3
	David Wilson

CC - 10