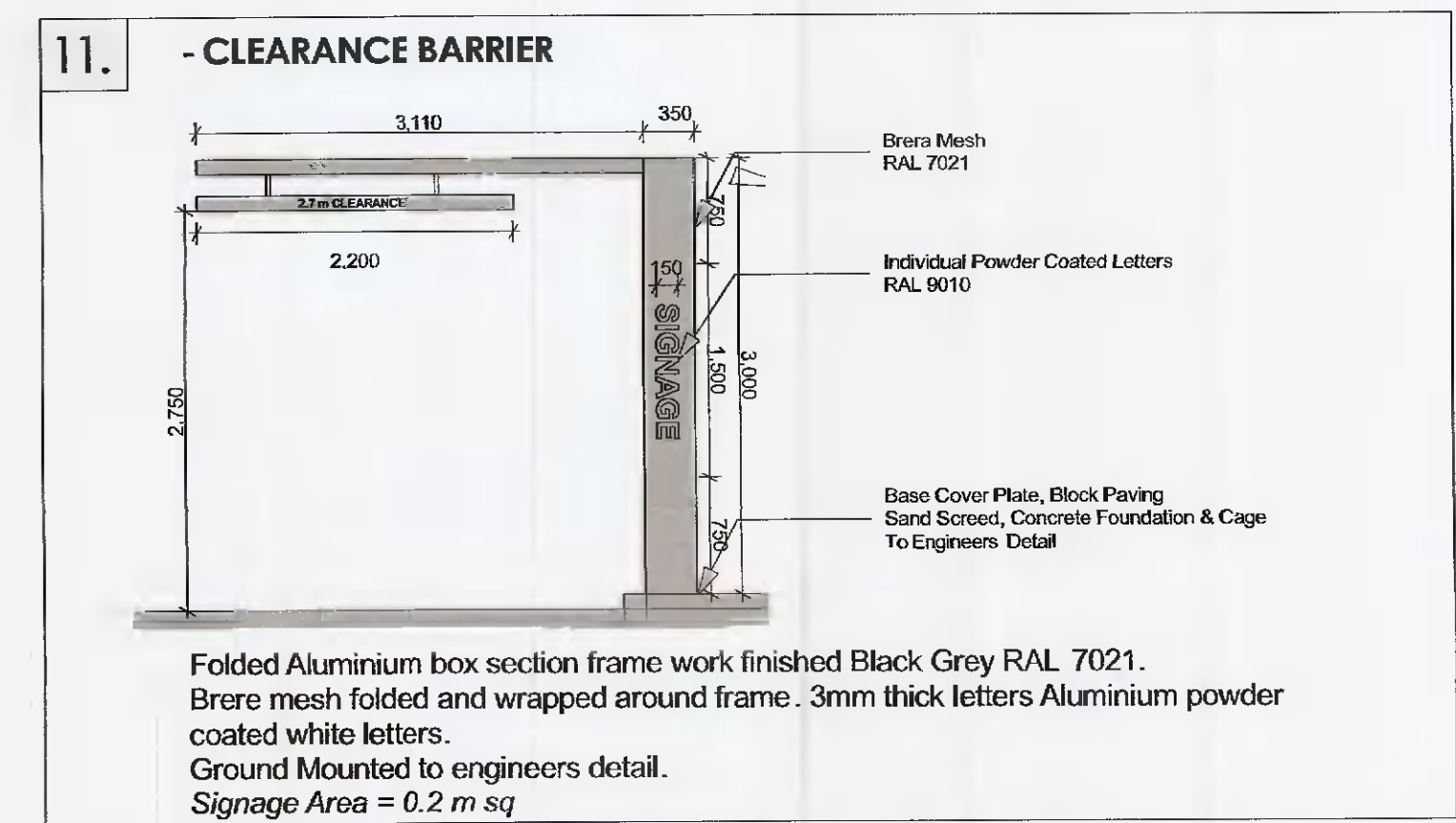
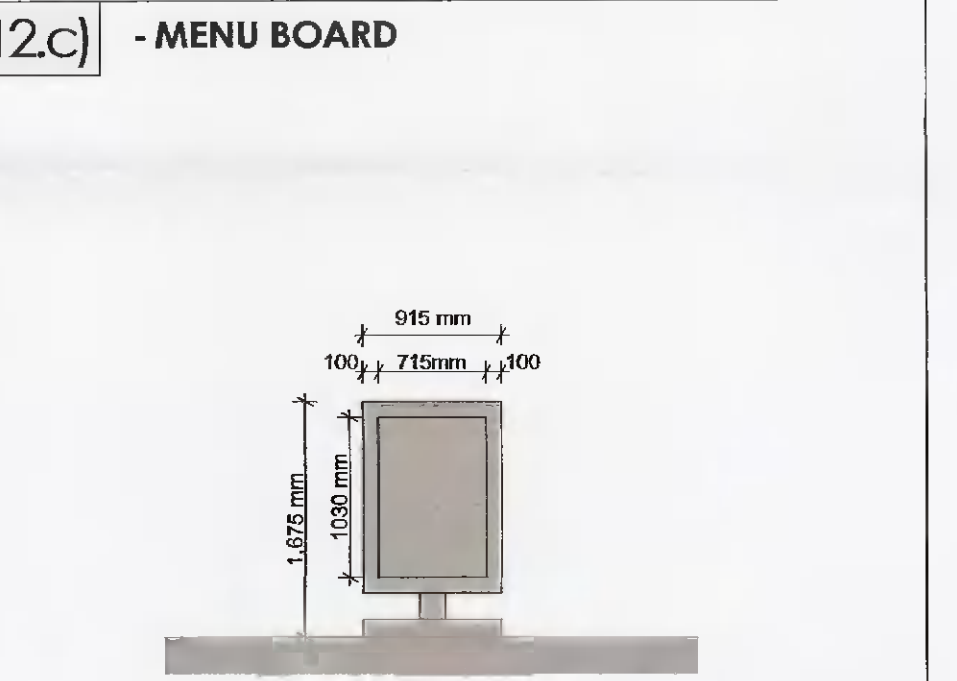
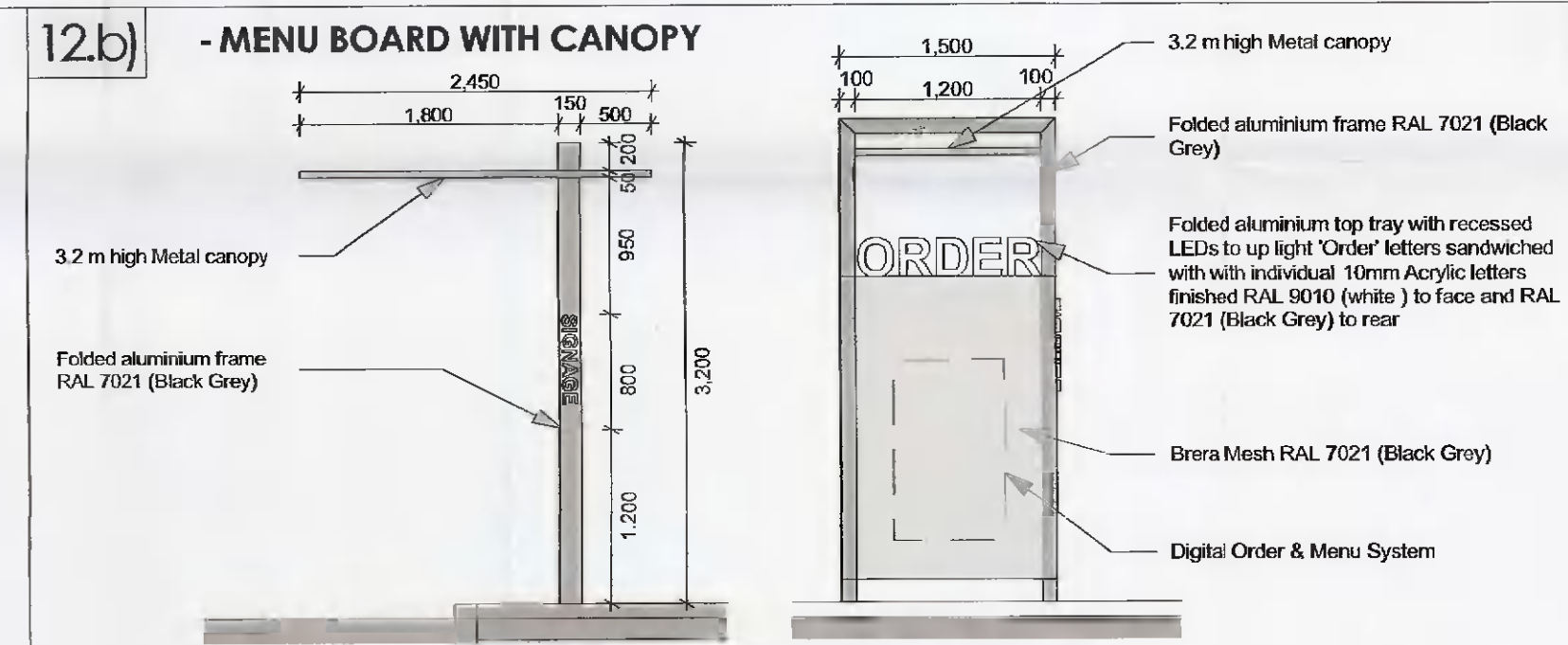
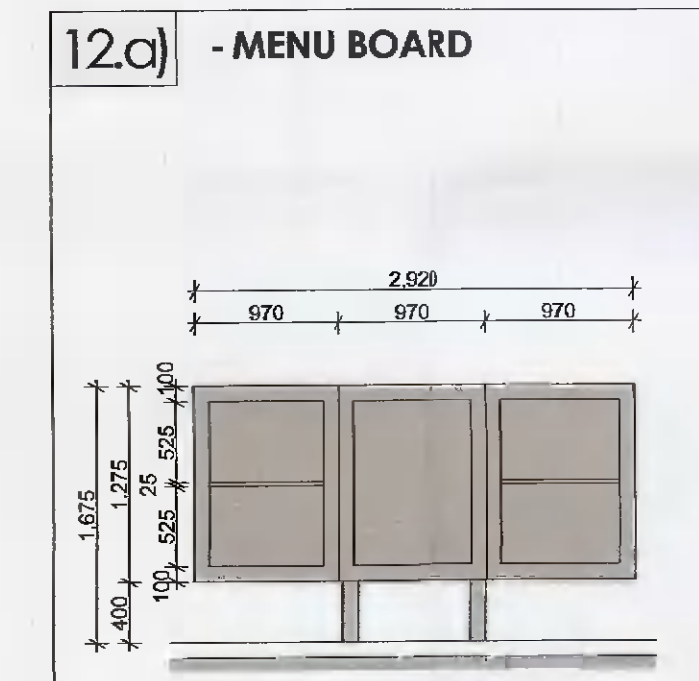


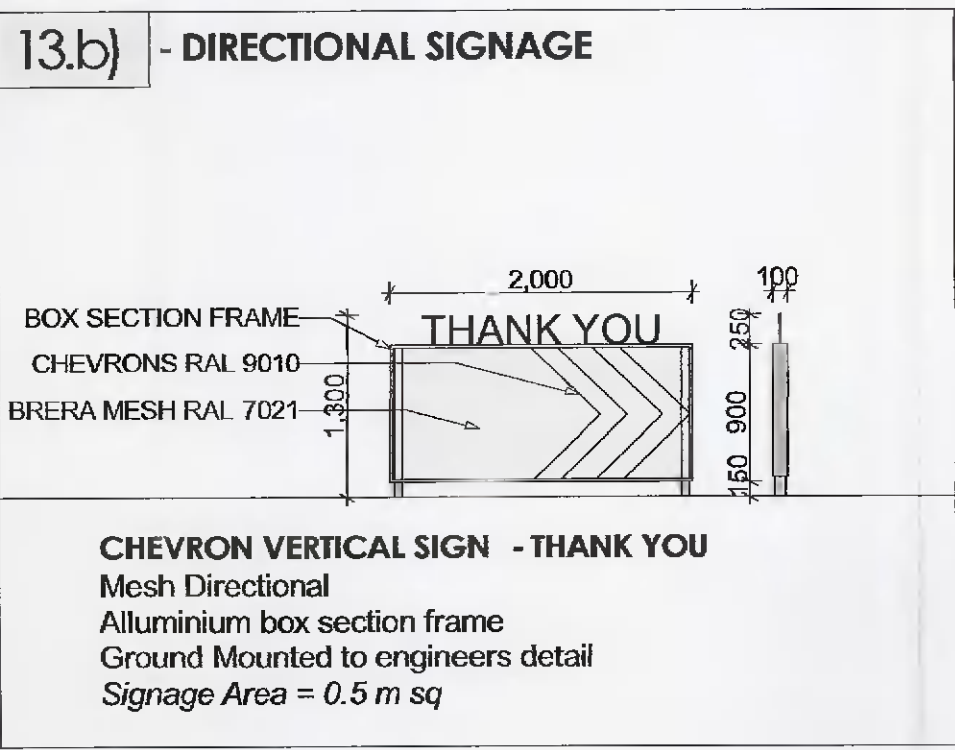
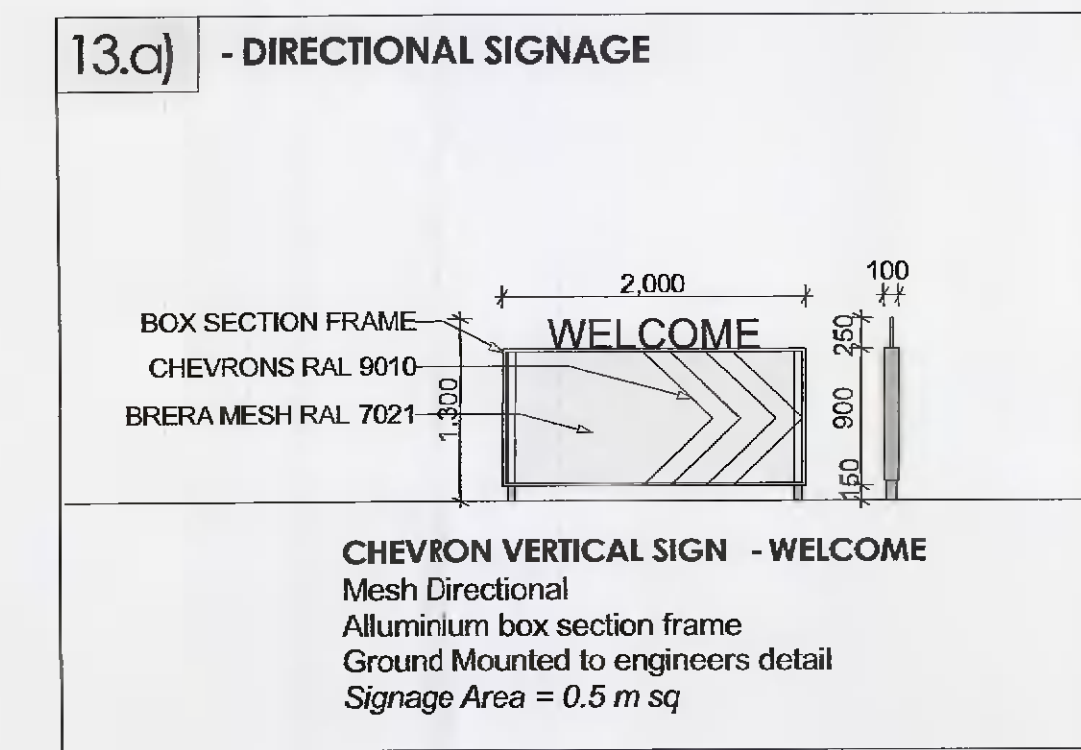
Proposed Signage Detail No. 10A, 10B  
1:50



Proposed Signage Detail No. 11  
1:50



Proposed Signage Detail No. 12A, 12B, 12C  
1:50



Proposed Signage Detail No. 13A, 13B  
1:50

Rev#	Chd	Change Name	Date
1	A		24/11/2021

**FOR PLANNING**

**JDA** Joseph Doyle Architects MRIAI  
5 ARRLANE STREET DON LAGANVAIR C/O DUBLIN  
TEL: +353 (0)1 271 1300 INFO@JOYDOYLEARCHITECTURE.COM

Client: **New Ireland Assurance Company PLC**  
Project: **Drive Through Coffee Shop, Lucan Retail Park**  
Drawing Title: **Proposed Signage Pack**

Drawn	Checked	Approved	Scale	Date	Rev
E.M.J.	J.D.A.	J.D.A.	1:50, 1:100	24/11/2021	A
Project Number:	2021PL-04	Work Stage:	PL	Drawing Number:	F300

© Joseph Doyle Architects  
This drawing and any design herein is the copyright of the Consultant and must not be reproduced without their written consent. All drawings remain the property of the Consultant.  
Figural dimensions only to be taken from this drawing. All dimensions to be checked on site.  
Consultant to be informed immediately of any discrepancies before work proceeds.

Proposed Signage Plan  
1:100