



TYPICAL IMAGE of similar SHOWING MATERIALITY



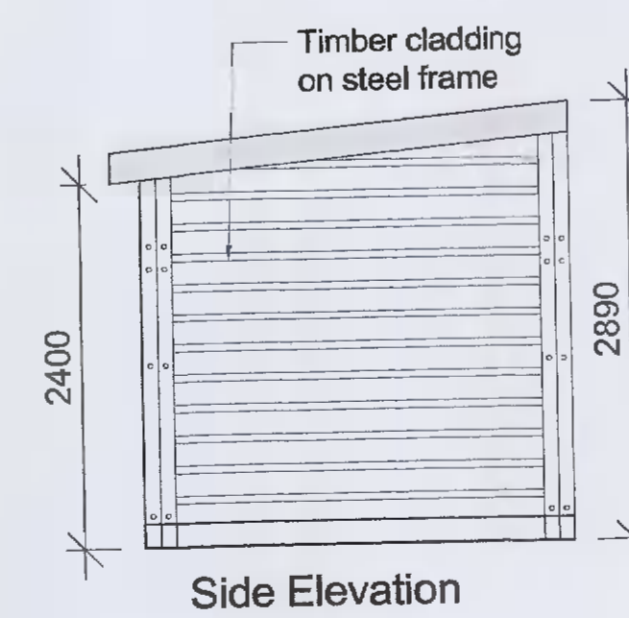
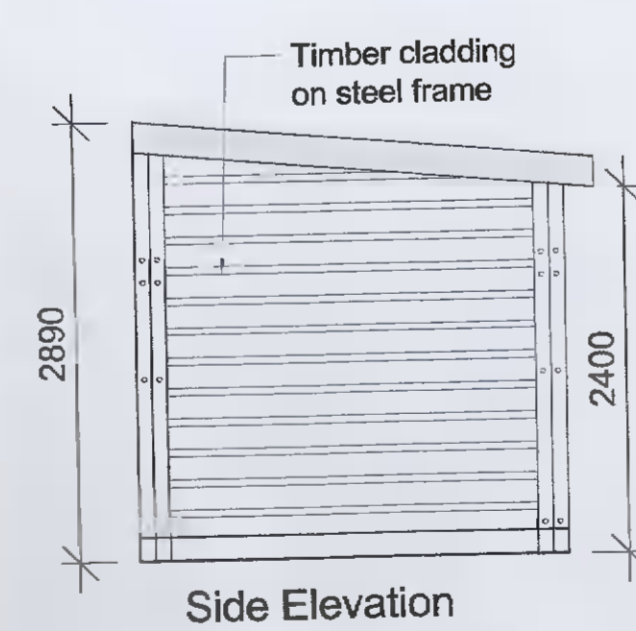
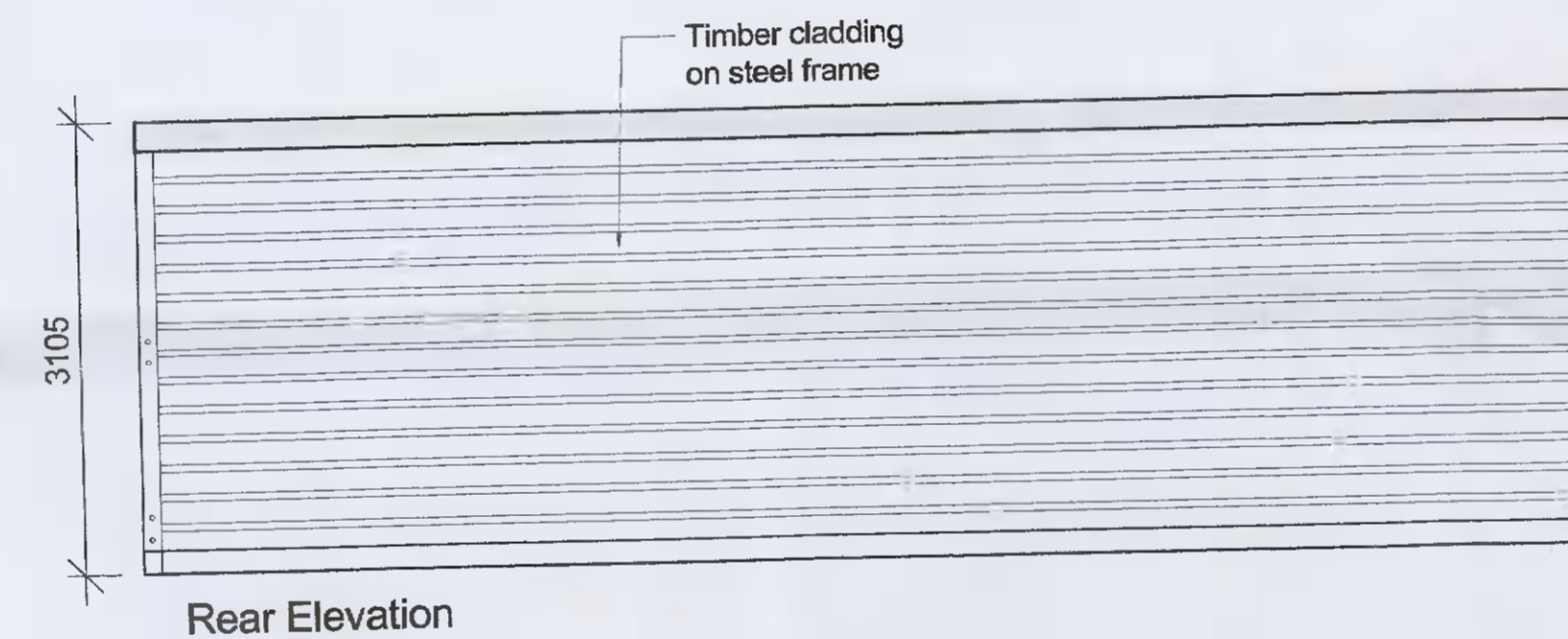
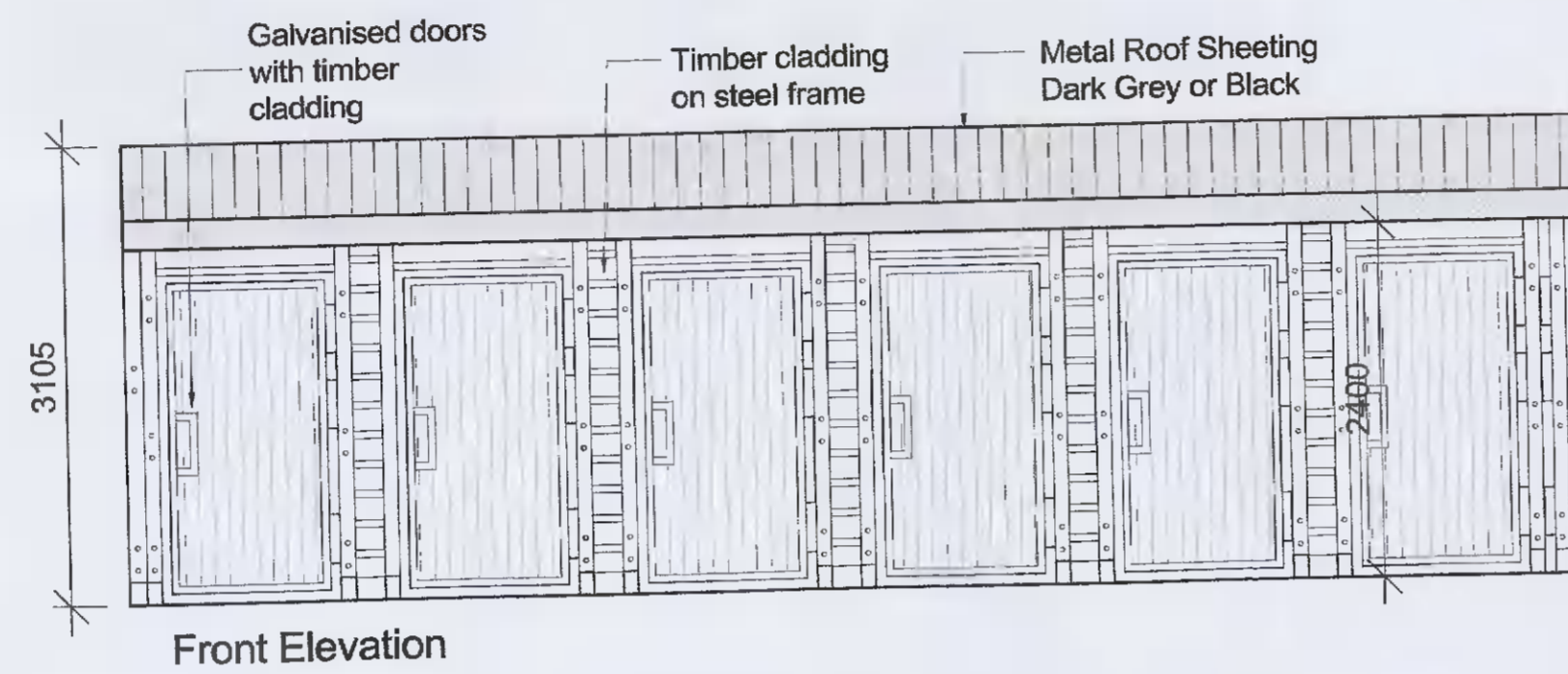
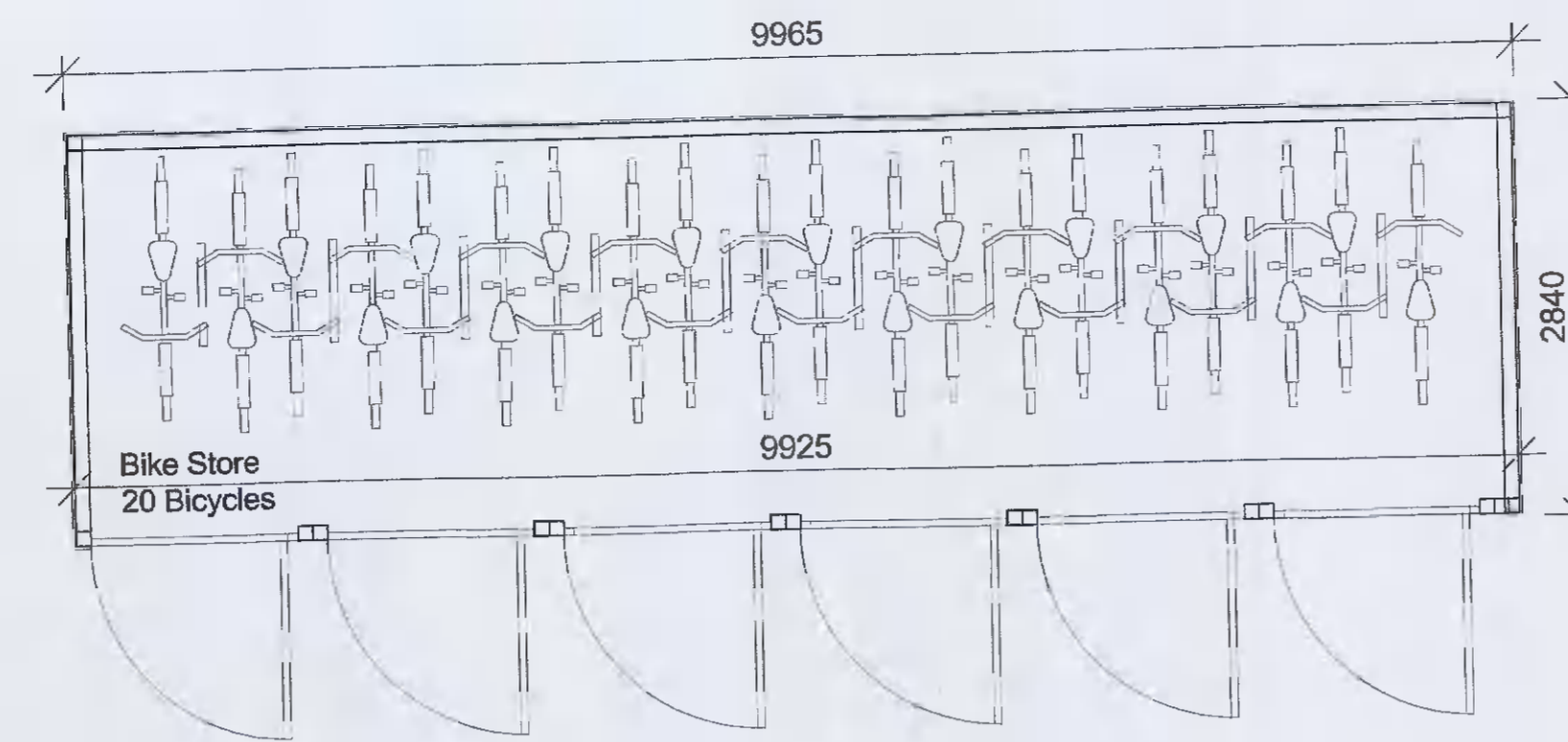
TYPICAL IMAGE of similar SHOWING MATERIALITY



TYPICAL IMAGE of similar SHOWING MATERIALITY



TYPICAL IMAGE of similar SHOWING MATERIALITY



PROPOSED BIKE STORE

External Finishes:

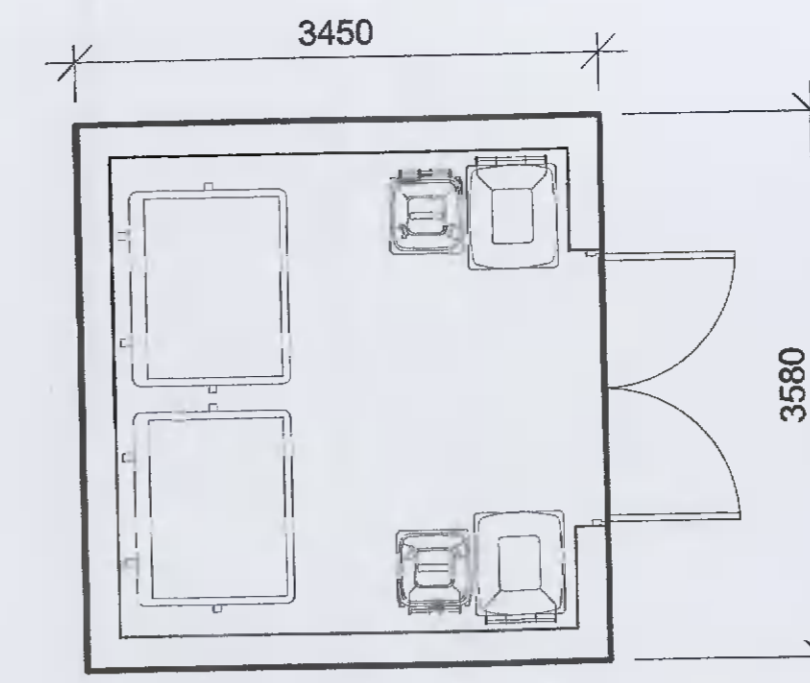
Walls: Galvanized steel frame with timber cladding

Roof: metal profile roof with metal gutters and downpipes

Doors: Metal mesh doors

Security: Entry door locked with digi-code entry.

Bikes secured to Sheffield Stand internally with residents provision of own lock and key.



Bin Store Plan

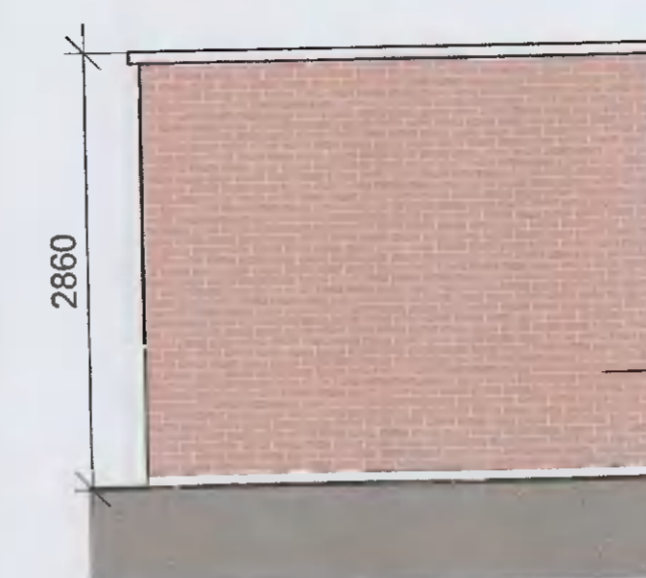
External Finishes:

Roof: Flat Paralon System – APP modified bitumen waterproofing, BBA certified with a life expectancy in excess of 30 years. Maintenance free granular surface.
Thickness: 4.0 – 6.0mm (Paralon cap sheet only)
System components: APP modified bitumen, polyester reinforced, granular or smooth finish

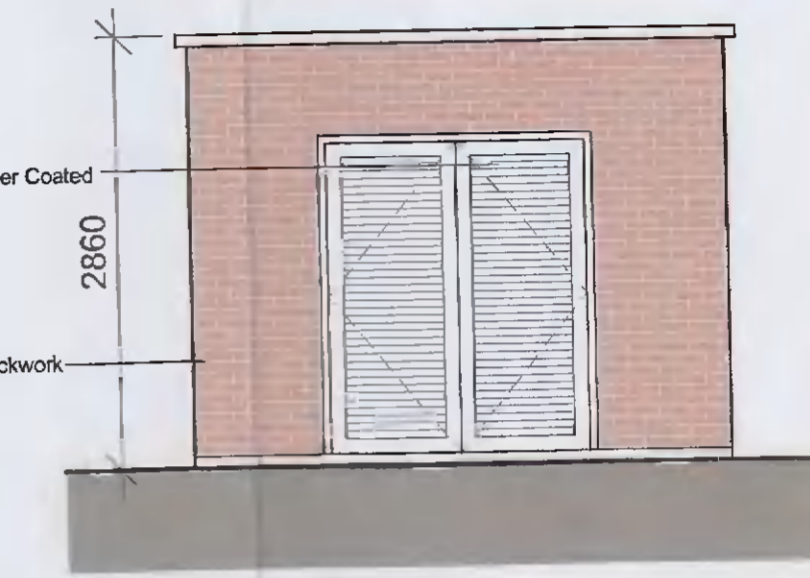
Walls: Painted render finish and/or selected facing brick

Downpipes: uPVC or aluminium

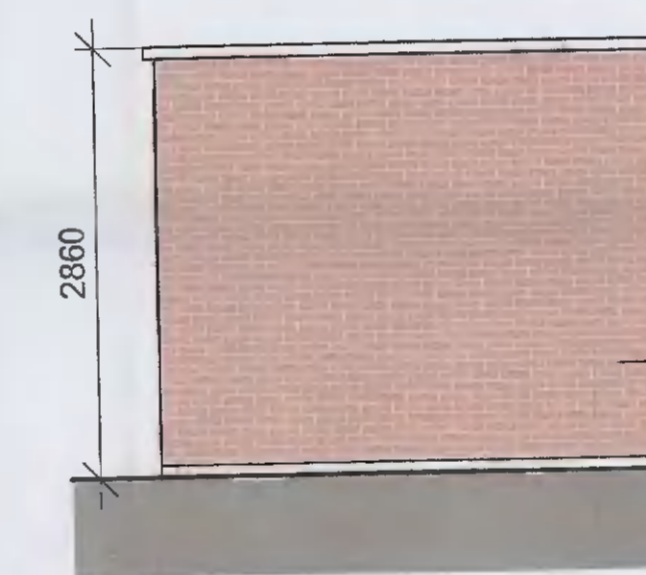
Door: High grade steel with powder-coated finish.



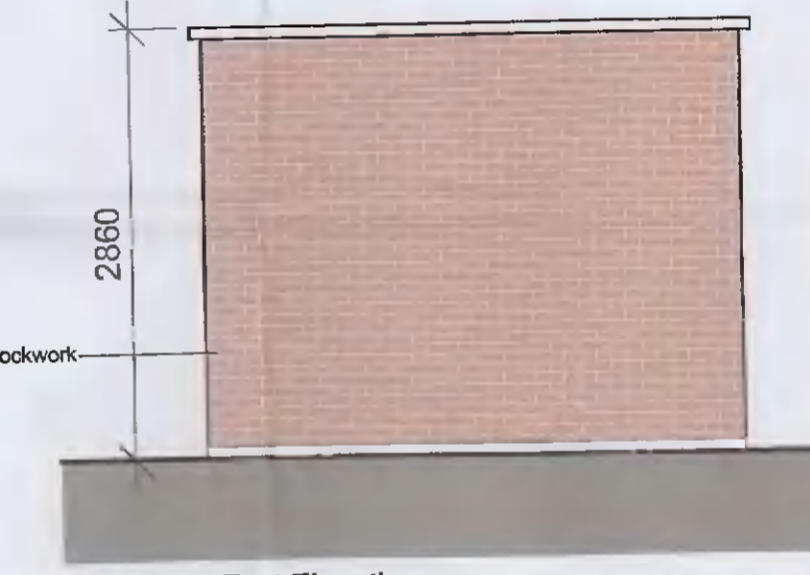
Bin Store North Elevation



Bin Store West Elevation

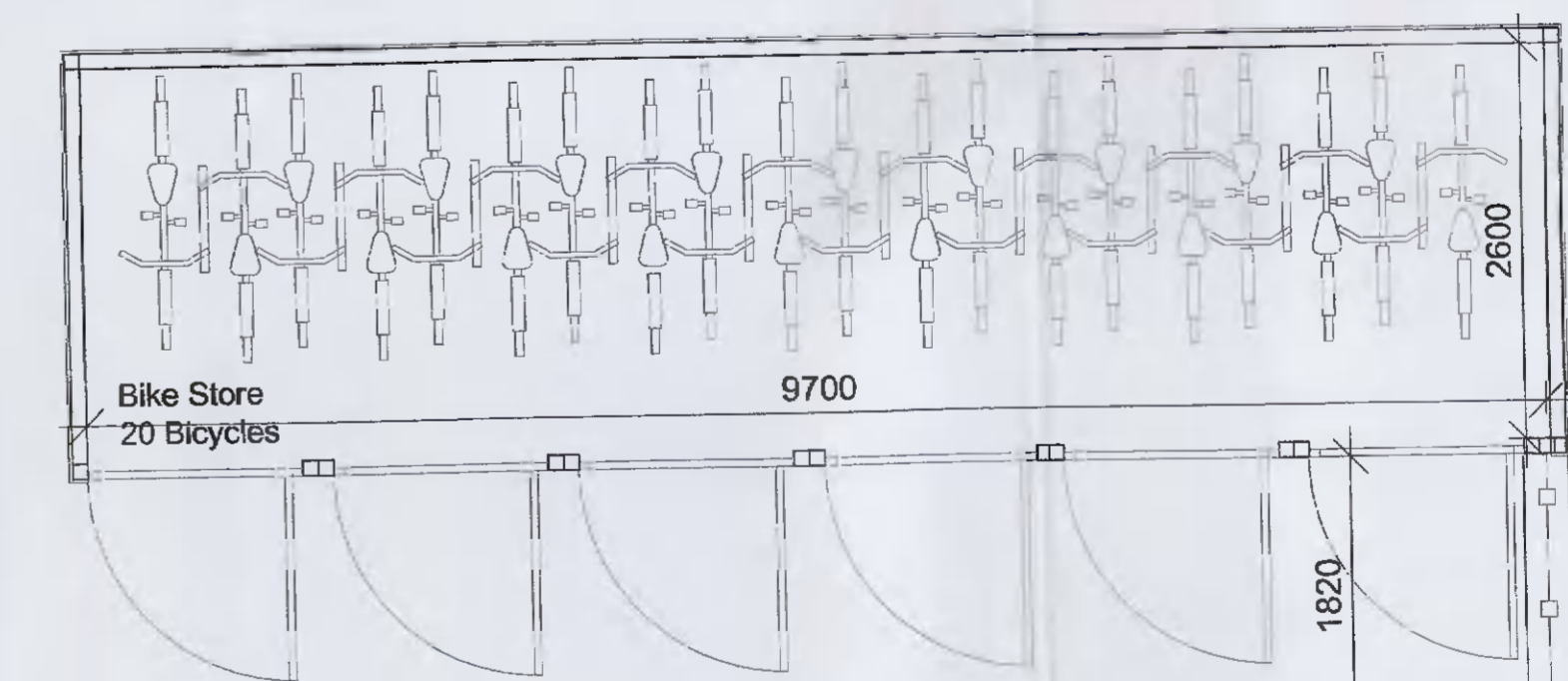


Bin Store South Elevation

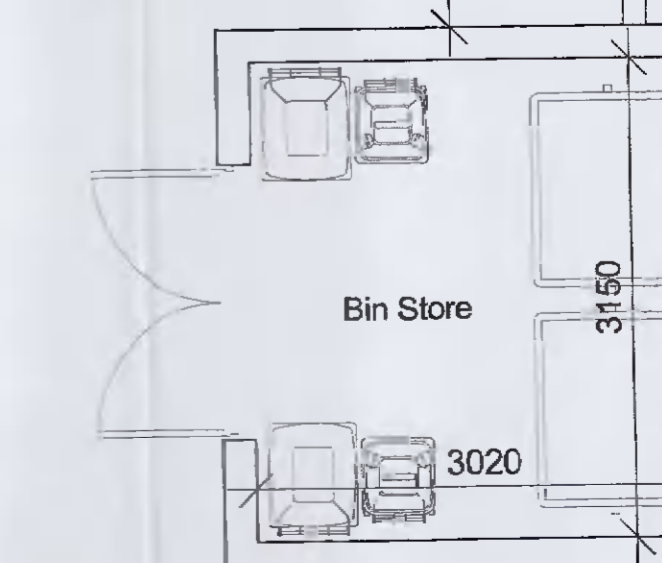


Bin Store East Elevation

PROPOSED BIN STORE



PROPOSED LAYOUT OF BIKE & BIN STORE ON SITE



<p>© This drawing is copyright: 1. Does not constitute an offer. 2. Review and approval to be made by the architect. 3. All dimensions to be checked on site. 4. To be used with relevant design drawings.</p>	
<p>Refer to site layout drawings for reference to external bin storage locations: 2112 P 1001 - Site Layout Plan</p>	
revisions	date ins
description	2112 P 210
External Bicycle and Bin Stores	2112 P 210
job	scale
Proposed Residential Development at Gordon Park	1:50@
client	date
Greenwalk Development Ltd.	Sept'2
issue	drawn
Planning	AQ
	checked
	KL
<p>CONROY CROWE KELLY ARCHITECTS 65 MERRION SQUARE DUBLIN 2</p>	
<p>PHONE 66139901 FAX 6765715 E-MAIL info@ckk.ie</p>	