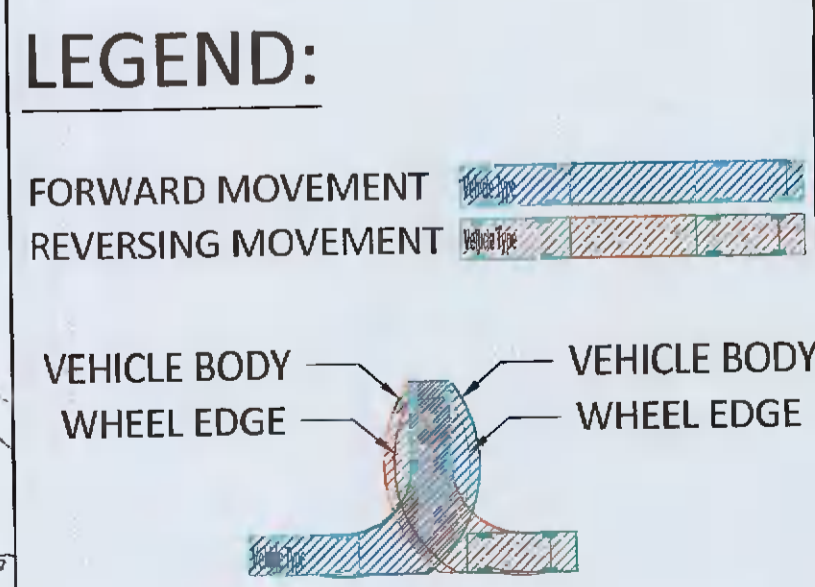
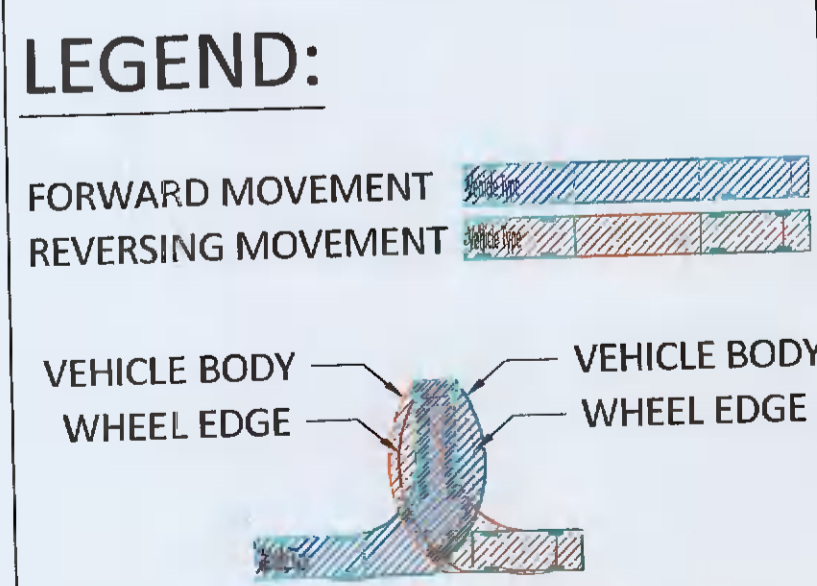
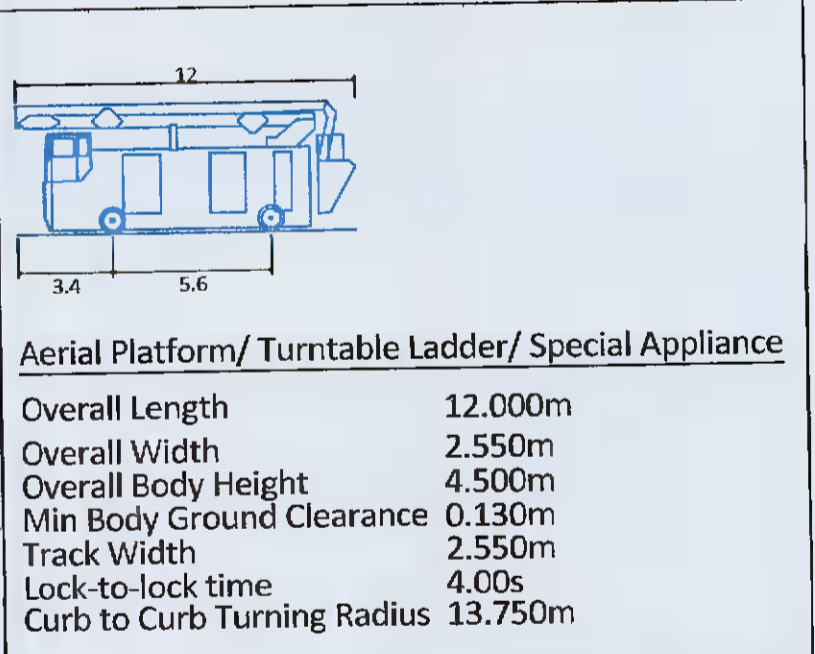
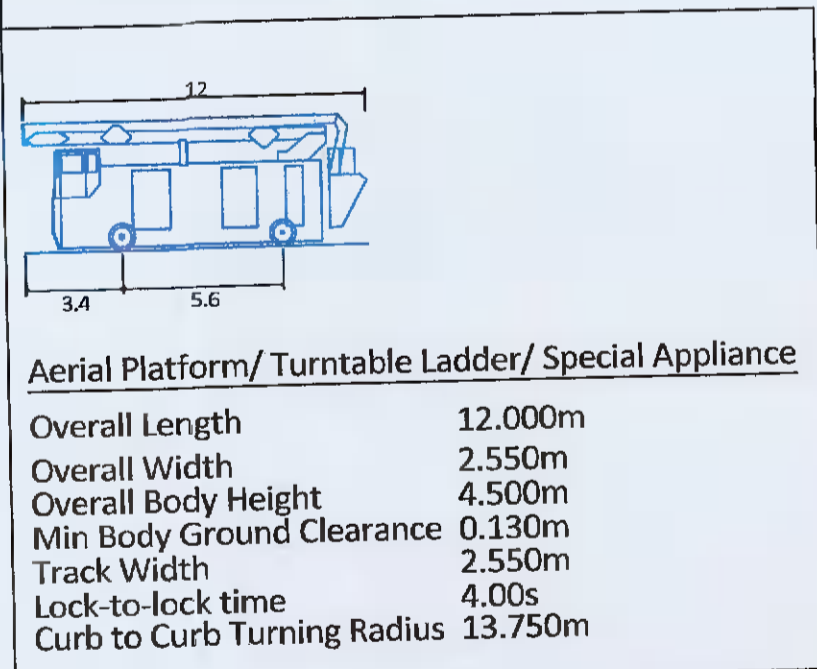




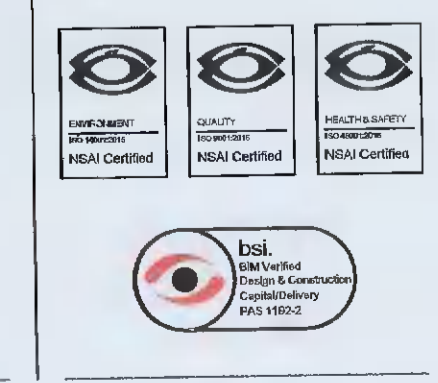
**PLANNING DRAWING.**  
 NOT FOR CONSTRUCTION.  
 ALL LEVELS GIVEN ARE  
 RELATIVE TO ORDNANCE DATUM.  
 THIS DRAWING HAS BEEN ISSUED FOR INFORMATION  
 PURPOSES ONLY AND MUST NOT BE USED  
 FOR CONSTRUCTION UNDER ANY CIRCUMSTANCES



ENTERING

EXITING

Rev No.	Date	Revision Note	Drn by	Chkd by	Rev No.	Date	Revision Note	Drn by	Chkd by
P01	23.09.21	SUITABLE FOR INFORMATION	JT	PR					
P02	04.11.21	SUITABLE FOR INFORMATION	JT	PR					
C01	25.11.21	STAGE COMPLETE-SUITABLE FOR PLANNING	JT	PR					



Head Office,  
 9 Prussia Street,  
 Dublin 7,  
 D07 K157

TEL +353 (0)1 8682000

e: [contactus@ocsc.ie](mailto:contactus@ocsc.ie)  
 w: [www.ocsc.ie](http://www.ocsc.ie)

Dublin | London | Belfast | Galway | Cork | Birmingham



Client:	HIBERNIA REIT							
Project:	KATHARINE TYNAN HOUSE							
Title:	AUTOTRACK ANALYSIS - FIRE TENDER							
Code	Originator	Zone	Level	Type	Role	Number	Status	Revision
H657	OCSC	XX	XX	DR	C	0104	A1	C01
Date: 23.09.21 Scale: 1:500 @ A1 Drn by: JT Chkd by: PR Aprvd by: IC								

• FOR SETTING OUT REFER TO ARCHITECT'S DRAWINGS.  
 • THIS DRAWING TO BE READ IN CONJUNCTION WITH ALL OTHER ARCHITECTURAL AND ENGINEERING DRAWINGS AND ALL OTHER RELEVANT DRAWINGS AND SPECIFICATIONS.  
 • DO NOT SCALE THIS DRAWING. USE FIGURED DIMENSIONS ONLY.  
 • NO PART OF THIS DOCUMENT MAY BE REPRODUCED OR TRANSMITTED IN ANY FORM OR STORED IN ANY RETRIEVAL SYSTEM OF ANY NATURE WITHOUT THE WRITTEN PERMISSION OF O'CONNOR SUIOTON CRONIN AS COPYRIGHT HOLDER EXCEPT AS AGREED FOR USE ON THE PROJECT FOR WHICH THE DOCUMENT WAS ORIGINALLY ISSUED.