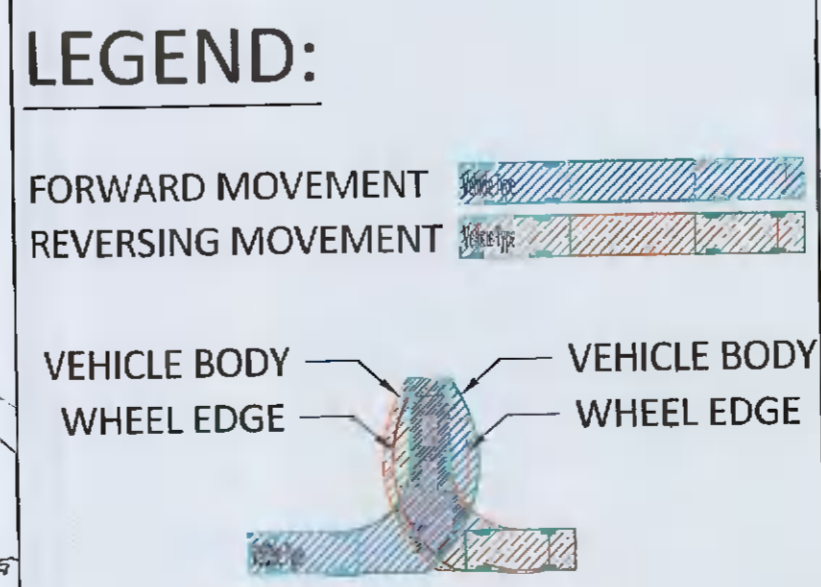
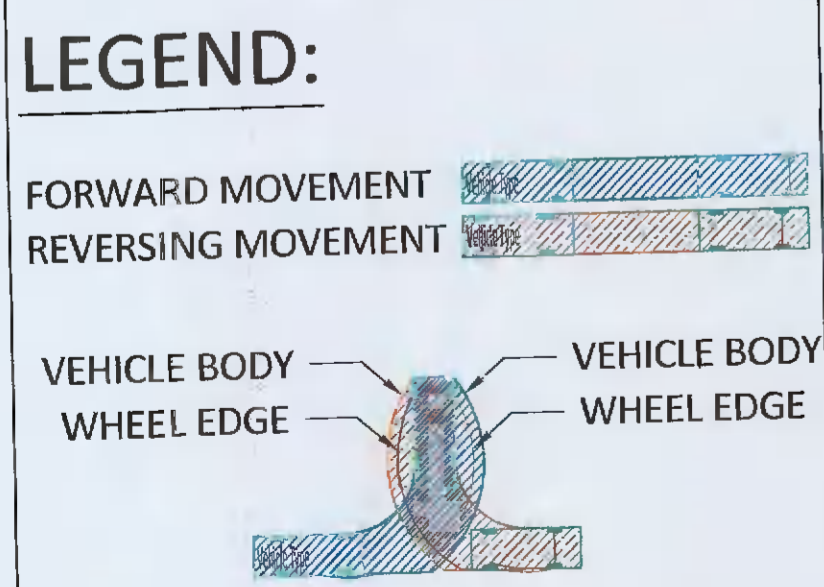
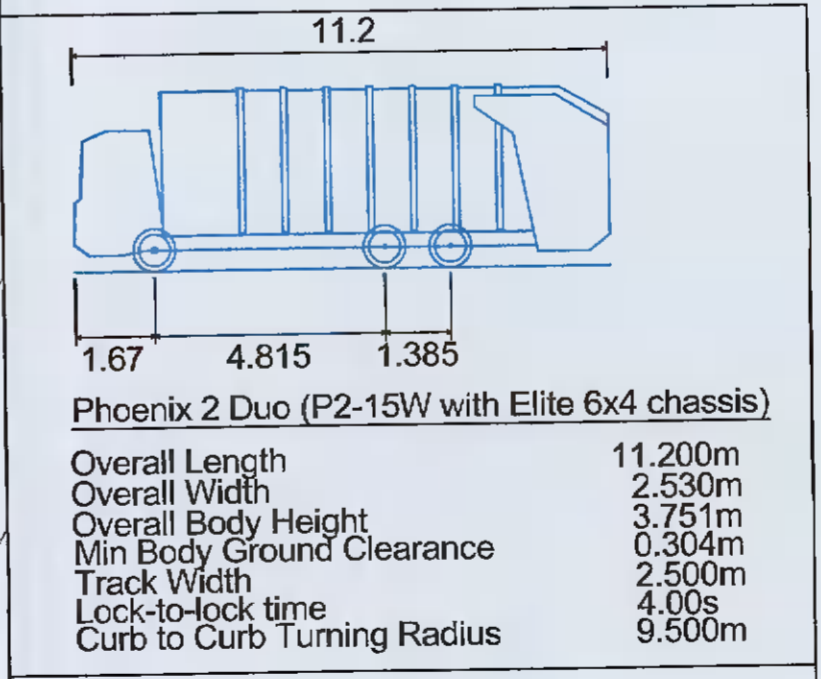
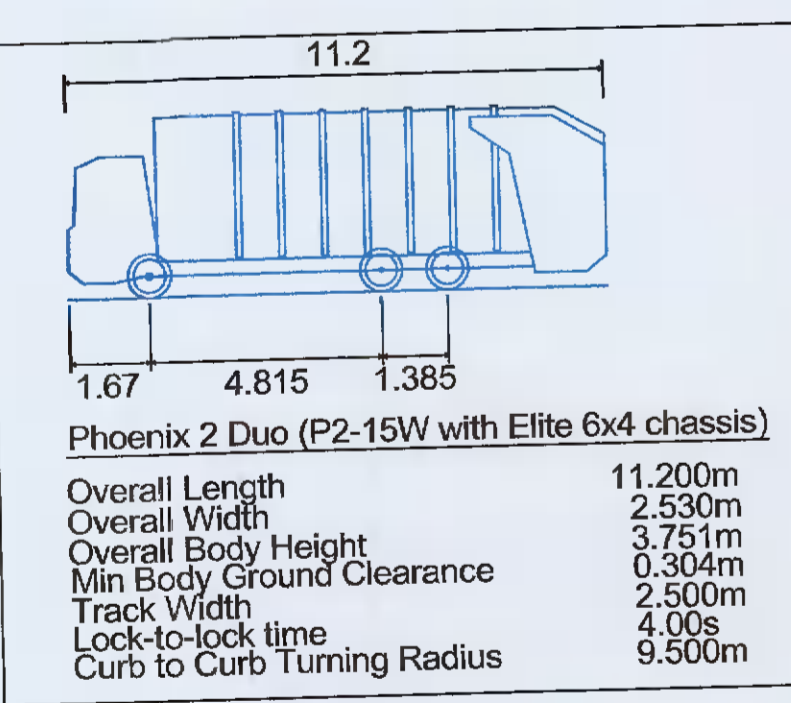


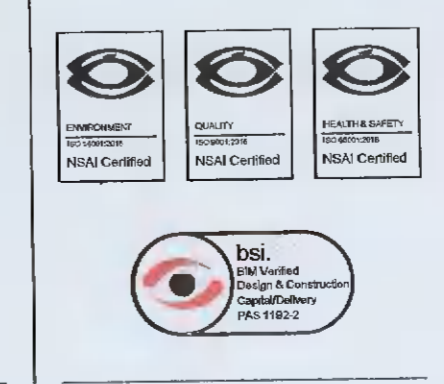


PLANNING DRAWING.
 NOT FOR CONSTRUCTION.
 ALL LEVELS GIVEN ARE
 RELATIVE TO ORDNANCE DATUM.
 THIS DRAWING HAS BEEN ISSUED FOR INFORMATION
 PURPOSES ONLY AND MUST NOT BE USED
 FOR CONSTRUCTION UNDER ANY CIRCUMSTANCES



Rev No.	Date	Revision Note	Drm by	Chkd by	Rev No.	Date	Revision Note	Drm by	Chkd by
P01	23.09.21	SUITABLE FOR INFORMATION	JT	PR					
P02	04.11.21	SUITABLE FOR INFORMATION	JT	PR					
C01	25.11.21	STAGE COMPLETE-SUITABLE FOR PLANNING	JT	PR					

• FOR SETTING OUT REFER TO ARCHITECT'S DRAWINGS.
 • THIS DRAWING IS TO BE READ IN CONJUNCTION WITH ALL OTHER ARCHITECTURAL AND ENGINEERING DRAWINGS AND ALL OTHER RELEVANT DRAWINGS AND SPECIFICATIONS.
 • DO NOT SCALE THIS DRAWING. USE FIGURED DIMENSIONS ONLY.
 • NO PART OF THIS DOCUMENT MAY BE REPRODUCED OR TRANSMITTED IN ANY FORM OR STORED IN ANY RETRIEVAL SYSTEM OF ANY NATURE WITHOUT THE WRITTEN PERMISSION OF O'CONNOR SUTTON CRONIN AS COPYRIGHT HOLDER EXCEPT AS AGREED FOR USE ON THE PROJECT FOR WHICH THE DOCUMENT WAS ORIGINALLY ISSUED.



Head Office,
 9 Prussia Street,
 Dublin 7.
 D07 KT57



TEL +353 (0)1 8682000
 e: contactus@ocsc.ie
 w: www.ocsc.ie
 Dublin | London | Belfast | Galway | Cork | Birmingham

Client:	HIBERNIA REIT									
Project:	KATHARINE TYNAN HOUSE									
Title:	AUTOTRACK ANALYSIS - REFUSE TRUCK									
Code	Originator	Zone	Level	Type	Role	Number	Status	Revision		
H657	OCSC	XX	XX	DR	C	0103	A1	C01		
Date:	23.09.21	Scale:	1:500	@ A1	Drm by:	JT	Chkd by:	PR	Aprvd by:	IC