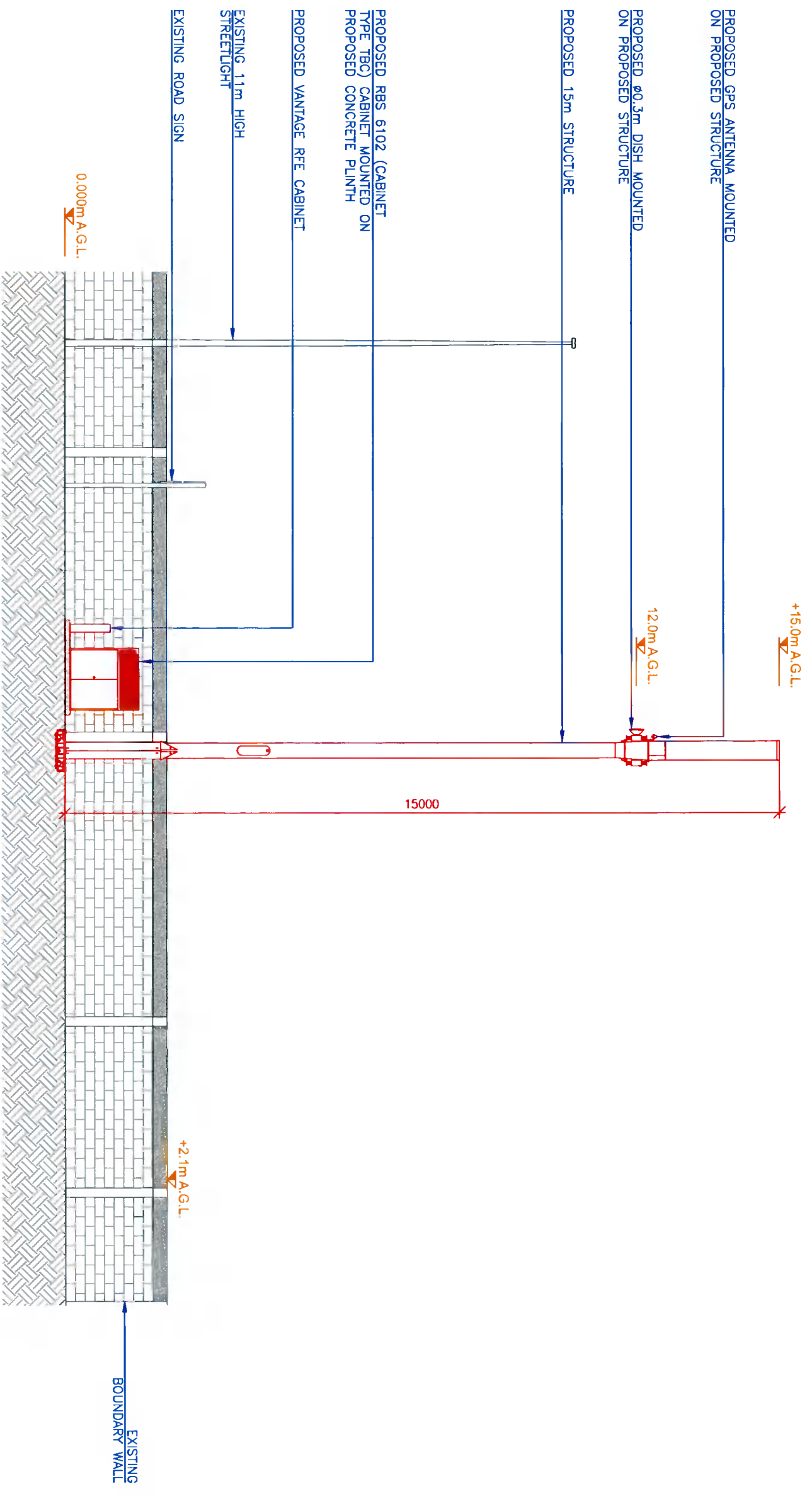




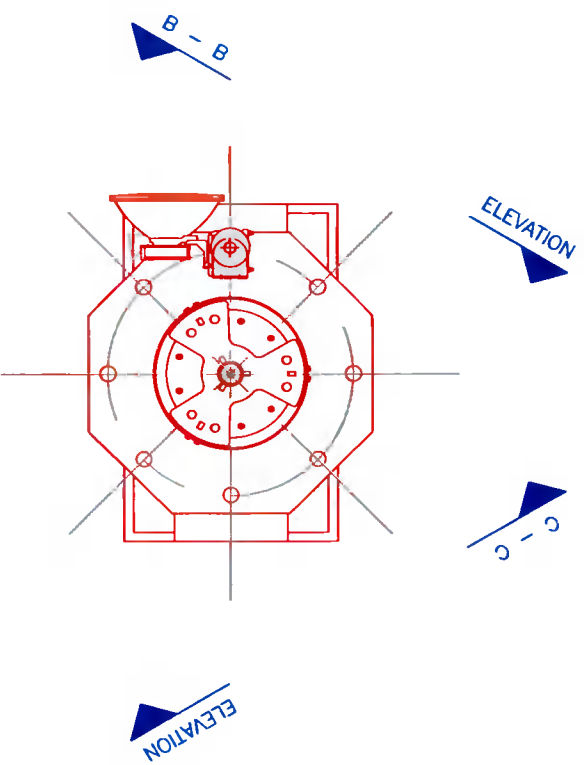
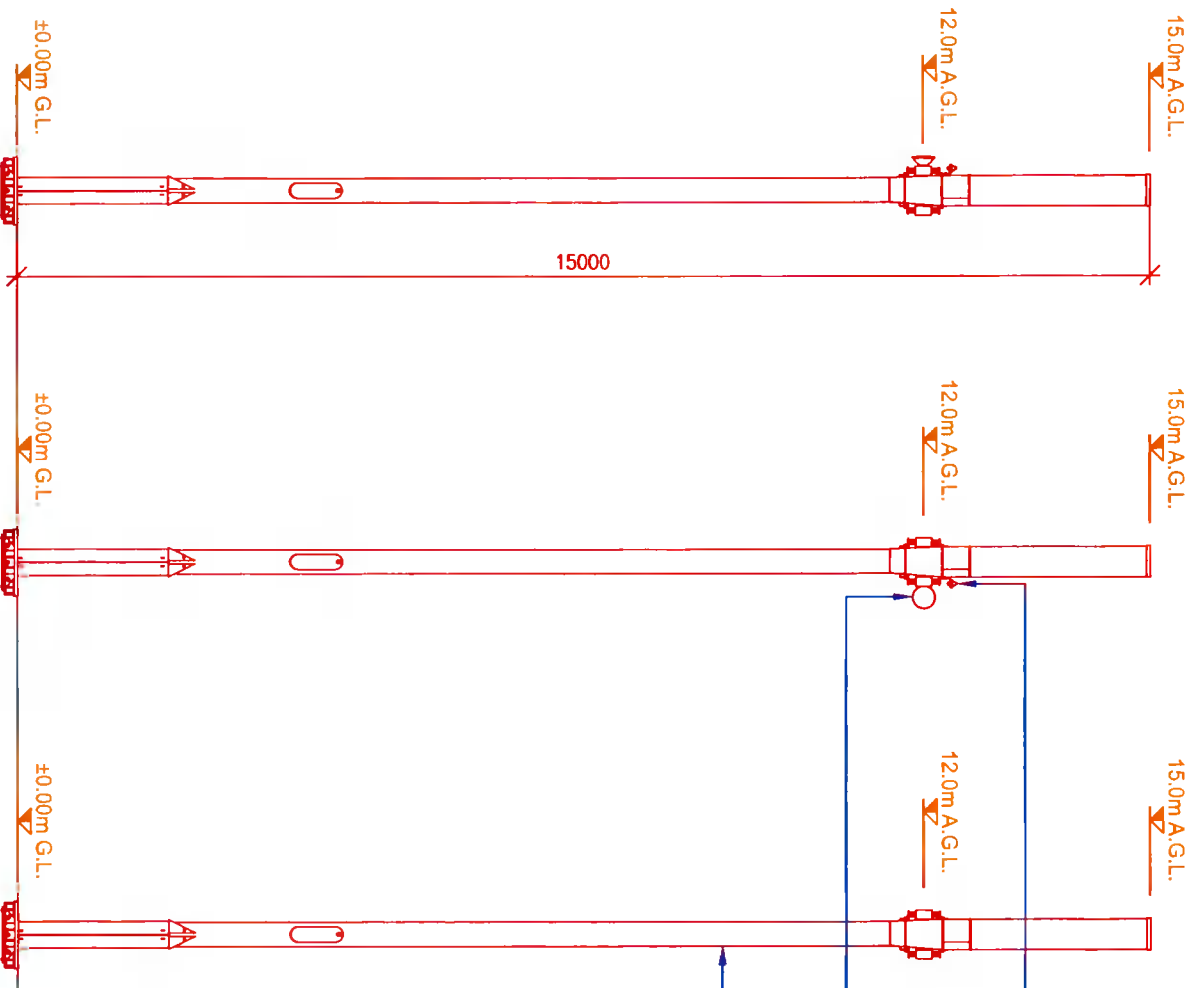
Site Code: DX049 Site Name: CHEEVERSTOWN ROAD.



**SOUTH-WEST ELEVATION**  
SCALE 1:100

<b>VANTAGE TOWERS</b>		<p>Notes:</p> <ol style="list-style-type: none"> <li>Do not scale.</li> <li>All dimensions are in mm otherwise specified.</li> <li>Assume all site details are existing unless otherwise specified.</li> </ol>	
<p><b>PLANNING APPLICATION DRAWING</b></p>		<p>Job/Detail: RBS 6102 Dims: 1450x1300x700 Colour: -</p>	
<p>Site code: DX049 Survey date: XX/XX/XX</p>		<p>Structure Details: STEEL POLE Type: STEEL POLE Height: 15.0m</p>	
<p>Scale: As Shown</p>		<p>Drawn: GD Date: 06/10/21</p>	
<p>Checked: DS Date: 06/10/21</p>		<p>Approved: IB Date: 06/10/21</p>	
<p>Project: South-West Elevation PROPOSED VANTAGE TOWERS SITE AT (R136) CHEEVERSTOWN ROAD KILMARTIN GREEN, JOBSTOWN CO. DUBLIN</p>		<p>Drawing No: DX049 / 002 / 06</p>	
<p>NOT FOR CONSTRUCTION - AWAITING PCM</p>		<p>Revision: A</p>	

THE OWNERSHIP AND COPYRIGHT OF THIS DRAWING REMAINS WITH VANTAGE TOWERS AT ALL TIMES. THE DRAWING MAY NOT BE COPIED, DUPLICATED OR PASSED TO THIRD PARTIES WITHOUT THE WRITTEN PERMISSION OF VANTAGE TOWERS.



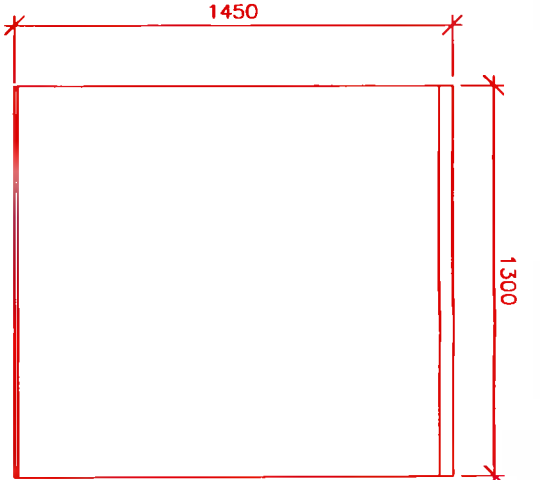
ELEVATION A-A    ELEVATION B-B    ELEVATION C-C  
 STRUCTURE ELEVATION  
 SCALE 1:100

STRUCTURE PLAN  
 SCALE 1:20

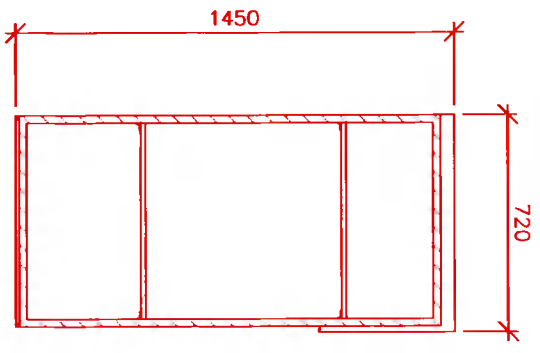
<b>VANTAGE TOWERS</b>		Notes: 1. Do not scale. 2. All dimensions are in mm, otherwise specified. 3. Assume all site details are existing unless otherwise specified.																												
<table border="1"> <tr><th>Rev.</th><th>Description</th></tr> <tr><td>A</td><td>ADDRESS UPDATED</td></tr> <tr><td>B</td><td>PLANNING APPLICATION DRAWING</td></tr> <tr><td>C</td><td></td></tr> <tr><td>D</td><td></td></tr> <tr><td>E</td><td></td></tr> <tr><td>F</td><td></td></tr> <tr><td>G</td><td></td></tr> <tr><td>H</td><td></td></tr> </table>		Rev.	Description	A	ADDRESS UPDATED	B	PLANNING APPLICATION DRAWING	C		D		E		F		G		H		<table border="1"> <tr><th>Rev.</th><th>By</th><th>Date</th></tr> <tr><td>A</td><td>GD</td><td>06/10/21</td></tr> <tr><td>B</td><td>GD</td><td>06/10/21</td></tr> </table>		Rev.	By	Date	A	GD	06/10/21	B	GD	06/10/21
Rev.	Description																													
A	ADDRESS UPDATED																													
B	PLANNING APPLICATION DRAWING																													
C																														
D																														
E																														
F																														
G																														
H																														
Rev.	By	Date																												
A	GD	06/10/21																												
B	GD	06/10/21																												
<table border="1"> <tr><th>Structure Details</th><th>Type</th><th>Height</th></tr> <tr><td>STEEL POLE</td><td>STEEL POLE</td><td>15.0m</td></tr> </table>		Structure Details	Type	Height	STEEL POLE	STEEL POLE	15.0m	<table border="1"> <tr><th>Structure Details</th><th>Type</th><th>Height</th></tr> <tr><td>STEEL POLE</td><td>STEEL POLE</td><td>15.0m</td></tr> </table>		Structure Details	Type	Height	STEEL POLE	STEEL POLE	15.0m															
Structure Details	Type	Height																												
STEEL POLE	STEEL POLE	15.0m																												
Structure Details	Type	Height																												
STEEL POLE	STEEL POLE	15.0m																												
<table border="1"> <tr><th>Site Code</th><th>Site Name</th></tr> <tr><td>DX049</td><td>CHEEVERSTOWN ROAD</td></tr> </table>		Site Code	Site Name	DX049	CHEEVERSTOWN ROAD	<table border="1"> <tr><th>Site Code</th><th>Site Name</th></tr> <tr><td>DX049</td><td>CHEEVERSTOWN ROAD</td></tr> </table>		Site Code	Site Name	DX049	CHEEVERSTOWN ROAD																			
Site Code	Site Name																													
DX049	CHEEVERSTOWN ROAD																													
Site Code	Site Name																													
DX049	CHEEVERSTOWN ROAD																													
<table border="1"> <tr><th>Scale</th><th>As Shown</th></tr> <tr><td>As Shown</td><td>As Shown</td></tr> </table>		Scale	As Shown	As Shown	As Shown	<table border="1"> <tr><th>Scale</th><th>As Shown</th></tr> <tr><td>As Shown</td><td>As Shown</td></tr> </table>		Scale	As Shown	As Shown	As Shown																			
Scale	As Shown																													
As Shown	As Shown																													
Scale	As Shown																													
As Shown	As Shown																													
<table border="1"> <tr><th>Drawn</th><th>Checked</th><th>Approved</th></tr> <tr><td>GD</td><td>DS</td><td>IB</td></tr> </table>		Drawn	Checked	Approved	GD	DS	IB	<table border="1"> <tr><th>Drawn</th><th>Checked</th><th>Approved</th></tr> <tr><td>GD</td><td>DS</td><td>IB</td></tr> </table>		Drawn	Checked	Approved	GD	DS	IB															
Drawn	Checked	Approved																												
GD	DS	IB																												
Drawn	Checked	Approved																												
GD	DS	IB																												
<table border="1"> <tr><th>Project</th><th>Project Name</th></tr> <tr><td>PROPOSED VANTAGE TOWERS SITE AT</td><td>PROPOSED VANTAGE TOWERS SITE AT</td></tr> <tr><td>(R136) CHEEVERSTOWN ROAD,</td><td>(R136) CHEEVERSTOWN ROAD,</td></tr> <tr><td>KILMARTIN GREEN, JOBSTOWN</td><td>KILMARTIN GREEN, JOBSTOWN</td></tr> <tr><td>CO. DUBLIN</td><td>CO. DUBLIN</td></tr> </table>		Project	Project Name	PROPOSED VANTAGE TOWERS SITE AT	PROPOSED VANTAGE TOWERS SITE AT	(R136) CHEEVERSTOWN ROAD,	(R136) CHEEVERSTOWN ROAD,	KILMARTIN GREEN, JOBSTOWN	KILMARTIN GREEN, JOBSTOWN	CO. DUBLIN	CO. DUBLIN	<table border="1"> <tr><th>Project</th><th>Project Name</th></tr> <tr><td>PROPOSED VANTAGE TOWERS SITE AT</td><td>PROPOSED VANTAGE TOWERS SITE AT</td></tr> <tr><td>(R136) CHEEVERSTOWN ROAD,</td><td>(R136) CHEEVERSTOWN ROAD,</td></tr> <tr><td>KILMARTIN GREEN, JOBSTOWN</td><td>KILMARTIN GREEN, JOBSTOWN</td></tr> <tr><td>CO. DUBLIN</td><td>CO. DUBLIN</td></tr> </table>		Project	Project Name	PROPOSED VANTAGE TOWERS SITE AT	PROPOSED VANTAGE TOWERS SITE AT	(R136) CHEEVERSTOWN ROAD,	(R136) CHEEVERSTOWN ROAD,	KILMARTIN GREEN, JOBSTOWN	KILMARTIN GREEN, JOBSTOWN	CO. DUBLIN	CO. DUBLIN							
Project	Project Name																													
PROPOSED VANTAGE TOWERS SITE AT	PROPOSED VANTAGE TOWERS SITE AT																													
(R136) CHEEVERSTOWN ROAD,	(R136) CHEEVERSTOWN ROAD,																													
KILMARTIN GREEN, JOBSTOWN	KILMARTIN GREEN, JOBSTOWN																													
CO. DUBLIN	CO. DUBLIN																													
Project	Project Name																													
PROPOSED VANTAGE TOWERS SITE AT	PROPOSED VANTAGE TOWERS SITE AT																													
(R136) CHEEVERSTOWN ROAD,	(R136) CHEEVERSTOWN ROAD,																													
KILMARTIN GREEN, JOBSTOWN	KILMARTIN GREEN, JOBSTOWN																													
CO. DUBLIN	CO. DUBLIN																													
<table border="1"> <tr><th>Drawing No.</th><th>Revision</th></tr> <tr><td>DX049 / 002 / 07</td><td>A</td></tr> </table>		Drawing No.	Revision	DX049 / 002 / 07	A	<table border="1"> <tr><th>Drawing No.</th><th>Revision</th></tr> <tr><td>DX049 / 002 / 07</td><td>A</td></tr> </table>		Drawing No.	Revision	DX049 / 002 / 07	A																			
Drawing No.	Revision																													
DX049 / 002 / 07	A																													
Drawing No.	Revision																													
DX049 / 002 / 07	A																													
<table border="1"> <tr><th>Structural Elevations</th><th>NOT FOR CONSTRUCTION - AWAITING PCM</th></tr> <tr><td>Structural Elevations</td><td>NOT FOR CONSTRUCTION - AWAITING PCM</td></tr> </table>		Structural Elevations	NOT FOR CONSTRUCTION - AWAITING PCM	Structural Elevations	NOT FOR CONSTRUCTION - AWAITING PCM	<table border="1"> <tr><th>Structural Elevations</th><th>NOT FOR CONSTRUCTION - AWAITING PCM</th></tr> <tr><td>Structural Elevations</td><td>NOT FOR CONSTRUCTION - AWAITING PCM</td></tr> </table>		Structural Elevations	NOT FOR CONSTRUCTION - AWAITING PCM	Structural Elevations	NOT FOR CONSTRUCTION - AWAITING PCM																			
Structural Elevations	NOT FOR CONSTRUCTION - AWAITING PCM																													
Structural Elevations	NOT FOR CONSTRUCTION - AWAITING PCM																													
Structural Elevations	NOT FOR CONSTRUCTION - AWAITING PCM																													
Structural Elevations	NOT FOR CONSTRUCTION - AWAITING PCM																													

THE OWNERSHIP AND COPYRIGHT OF THIS DRAWING REMAINS WITH VANTAGE TOWERS AT ALL TIMES. THE DRAWING MAY NOT BE COPIED, DUPLICATED OR PASSED TO THIRD PARTIES WITHOUT THE WRITTEN PERMISSION OF VANTAGE TOWERS.

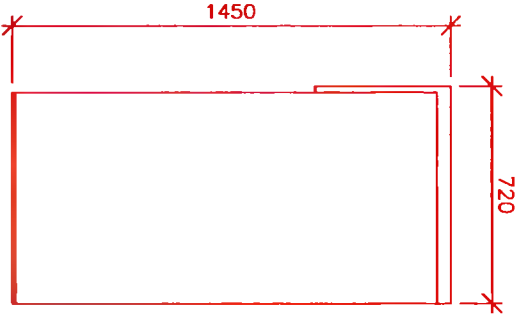
Site Code: DX049    Site Name: CHEEVERSTOWN ROAD.



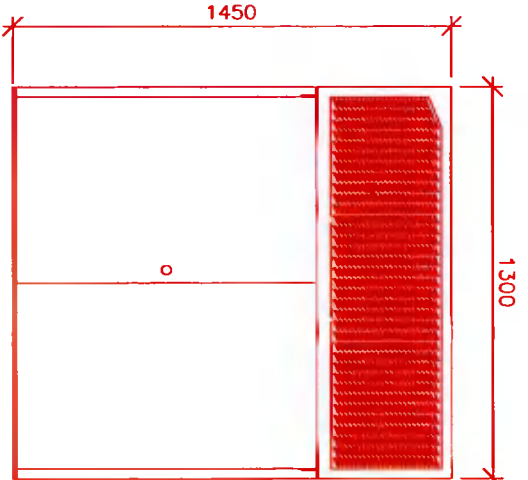
REAR ELEVATION



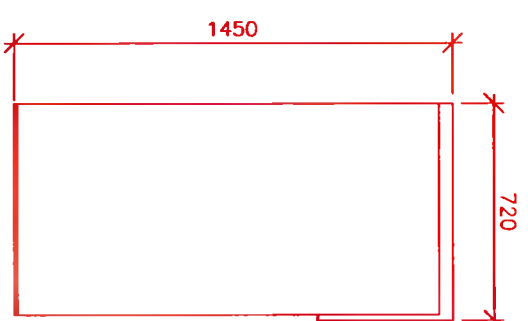
SECTION THRU'



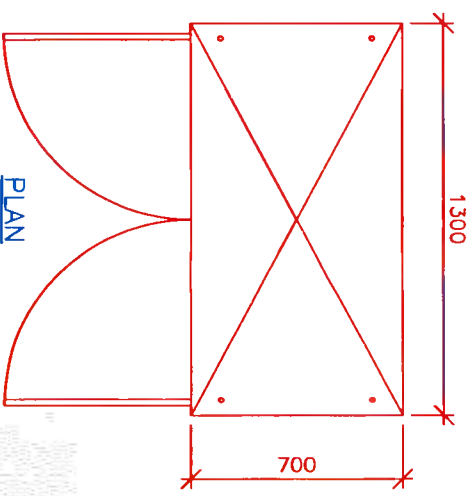
SIDE VIEW 1



FRONT ELEVATION



SIDE VIEW 2



PLAN



**PROPOSED RBS 6102 CABINET DETAILS**  
SCALE 1:25

Notes:

1. Do not scale.
2. All dimensions are in mm otherwise specified.
3. Assume all site details are existing unless otherwise specified.

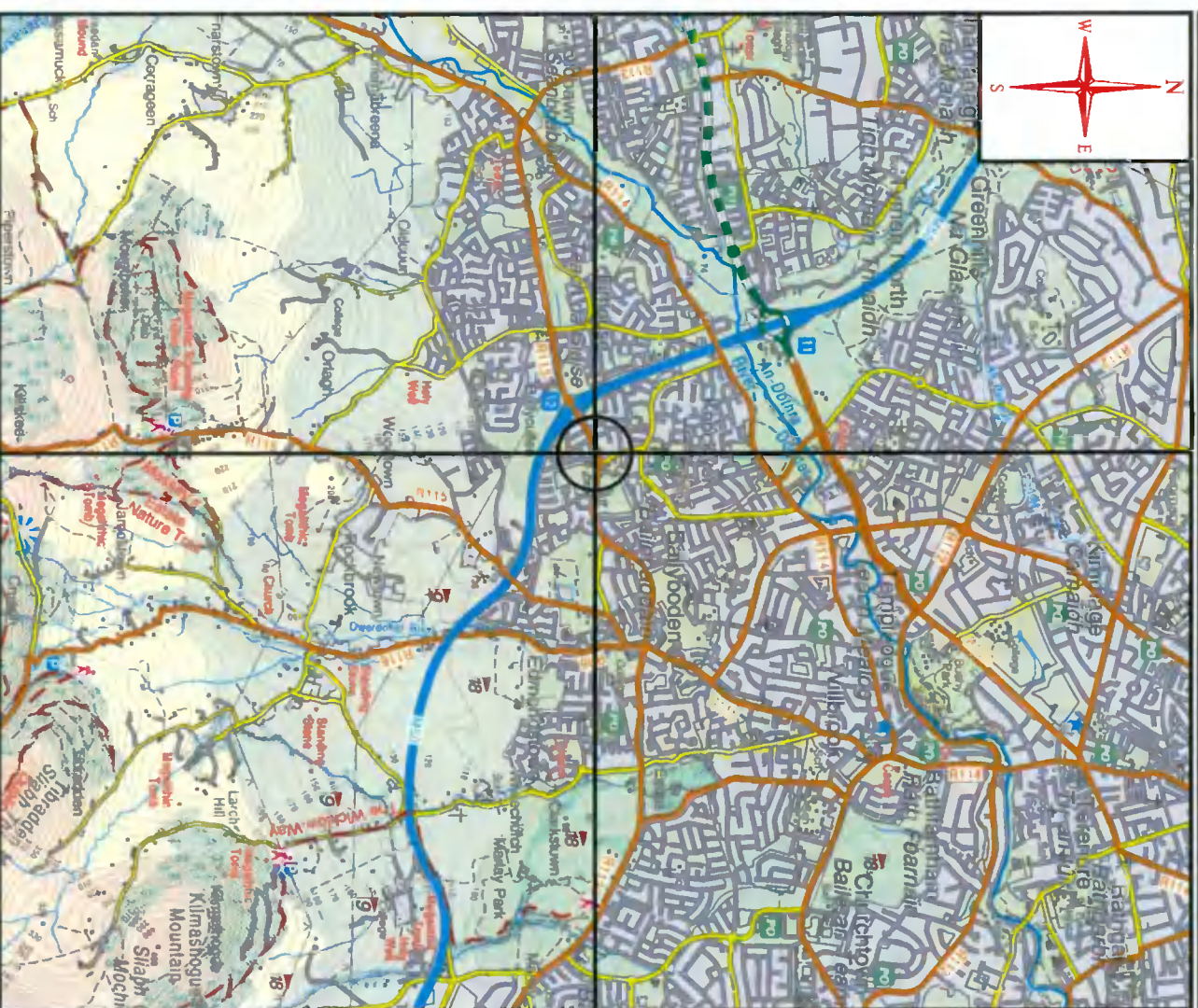
Rev.	Description	By	Date
A	PLANNING APPLICATION DRAWING	GD	06/10/21
B	ADDRESS UPDATED	DM	07/10/21
C			
D			
E			
F			
G			
H			

Cabinet Details	
Type:	RBS 6102
Dim:	1450x1300x700
Colour:	
Structure:	STEEL POLE
Height:	15.0m

Purpose: <b>PLANNING APPLICATION DRAWING</b>					
Site code	DX049	Survey date	XX/XX/XX	Sheet Size	A3
Scale	As Shown	Drawn	GD	Checked	DS
Date	06/10/21	Date	06/10/21	Date	06/10/21
		Date	06/10/21	Date	06/10/21

Title: <b>Proposed Cabinet Details</b>	
Project	PROPOSED VANTAGE TOWERS SITE AT (R136) CHEEVERSTOWN ROAD, KILMARTIN GREEN, JOBSTOWN CO. DUBLIN
Drawing No.	DX049 / 002 / 08
Revision	A
<b>NOT FOR CONSTRUCTION - AWAITING PCM</b>	





Reproduced from the OS Discovery Maps, 1:50000 with the permission of © Ordnance Survey Ireland Government of Ireland Copyright Reference: CYAL50167948

Drawing No.	Drawing Title
DX039 / 002 / 01	O.S. Location Map & Photos
DX039 / 002 / 02	Site Location Map 1:10560
DX039 / 002 / 03	Site Location Map 1:2500
DX039 / 002 / 04	Site Location Plan 1:500
DX039 / 002 / 05	Site Layout Plan 1:100
DX039 / 002 / 06	North Elevation
DX039 / 002 / 07	Structural Elevations
DX039 / 002 / 08	Proposed Cabinet Details

Irish Grid Site Coordinates	
East	312227
North	226728

Irish Grid Site Entrance Coordinates	
East	312231
North	226726

GPS Site Coordinates	
Latitude	53.279253
Longitude	-6.318255

GPS Site Entrance Coordinates	
Latitude	53.279231
Longitude	-6.318192

Site Photographs



FIG. 1: EXISTING SITE ELEVATION



FIG. 2: PROPOSED SITE LOCATION



FIG. 3: EXISTING SATELLITE VIEW

Notes:

1. Do not scale.
2. All dimensions are in mm otherwise specified
3. Assume all site details otherwise specified.

Rev	Description	By	Date
A	PROPOSED SITE LOCATION CHANGED	SN	05/10/21
B	PLANNING APPLICATION DRAWING	KG	21/07/21

Cabinet/Structural Details	
Type	RBS 6102
Colour	Green
Dimensions	1300x700x1450mm
Structure Details	GREEN FIELD
Type	GREEN FIELD
Height	15.0m

Purpose	
Site code	DX039
Scale	As Shown
Drawn	SN
Checked	DS
Approved	IB

The	
Project	PROPOSED VANTAGE TOWERS SITE AT SCHOLARSTOWN ROAD CO. DUBLIN
Drawing No.	DX039 / 002 / 01

NOT FOR CONSTRUCTION - AWAITING PCM

Together, we accelerate a sustainable, connected Europe

THE OWNERSHIP AND COPYRIGHT OF THIS DRAWING REMAINS WITH VANTAGE TOWERS AT ALL TIMES. THE DRAWING MAY NOT BE COPIED, DUPLICATED OR PASSED TO THIRD PARTIES WITHOUT THE WRITTEN PERMISSION OF VANTAGE TOWERS.