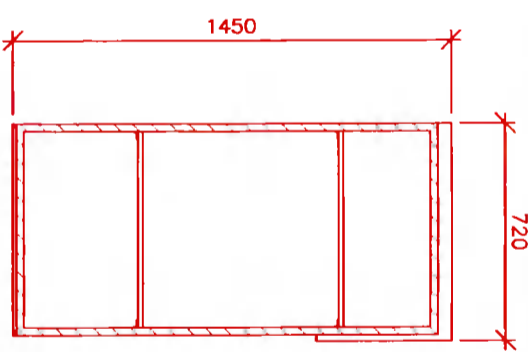
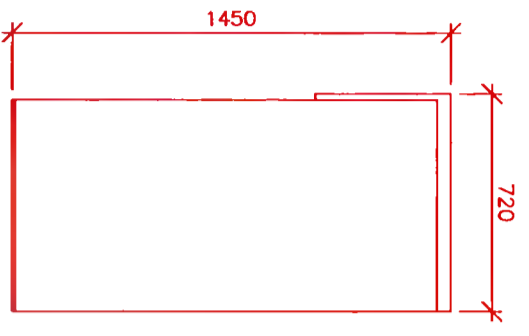


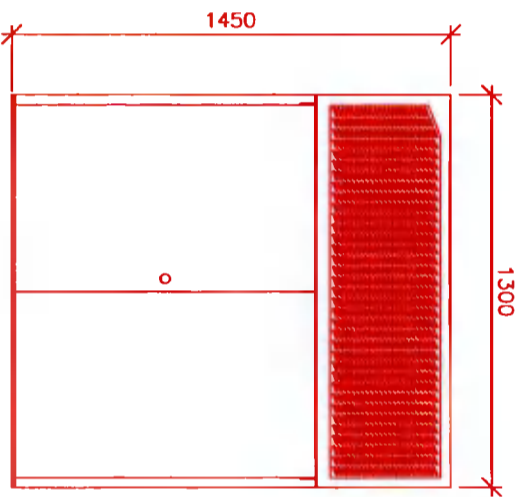
REAR ELEVATION



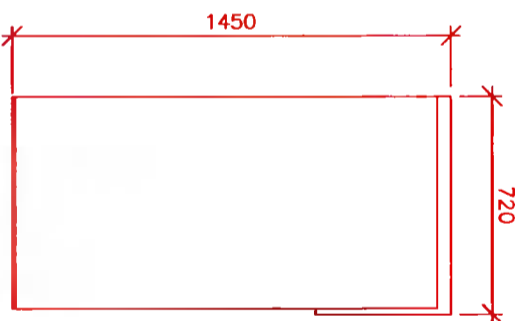
SECTION THRU



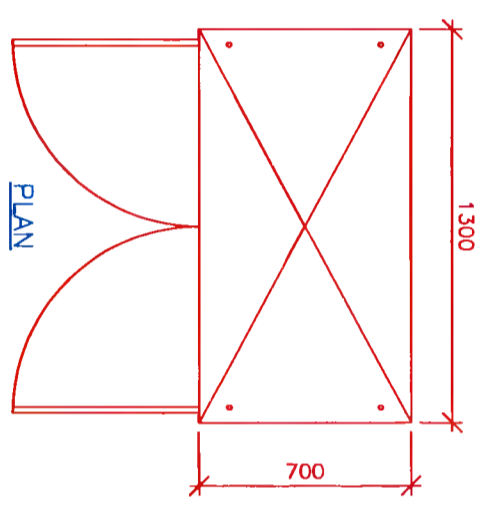
SIDE VIEW 1



FRONT ELEVATION



SIDE VIEW 2



PLAN



PROPOSED RBS 6102 CABINET DETAILS
SCALE 1:25

VANTAGE TOWERS		Notes:		1. Do not scale.		2. All dimensions are in mm unless otherwise specified.		3. Assume all site details are existing unless otherwise specified.	
		H		G		F		E	
		D		C		B		A	
		Rev		Description		By		Date	
		-		PROPOSED SITE LOCATION CHANGED		SN		09/10/21	
		-		PLANNING APPLICATION DRAWING		KG		27/07/21	
		Type		RBS 6102		Colour		GREEN FIELD	
		Dims		1300x700x1450mm		Height		15.0m	
		Title		Proposed Cabinet Details		Project		PROPOSED VANTAGE TOWERS SITE AT SCHOLARSTOWN ROAD, CO. DUBLIN	
		Purpose		PLANNING APPLICATION DRAWING		Site Code		DX039	
		Scale		As Shown		Survey date		24/09/21	
		Date		05/10/21		Checked		DS	
		Date		05/10/21		Approved		IB	
		Revision		A		Drawing No.		DX039 / 002 / 08	
		NOT FOR CONSTRUCTION - AWAITING PCM				Site Code:		DX039	
						Site Name:		SCHOLARSTOWN ROAD	

THE OWNERSHIP AND COPYRIGHT OF THIS DRAWING REMAINS WITH VANTAGE TOWERS AT ALL TIMES. THE DRAWING MAY NOT BE COPIED, DUPLICATED OR PASSED TO THIRD PARTIES WITHOUT THE WRITTEN PERMISSION OF VANTAGE TOWERS.