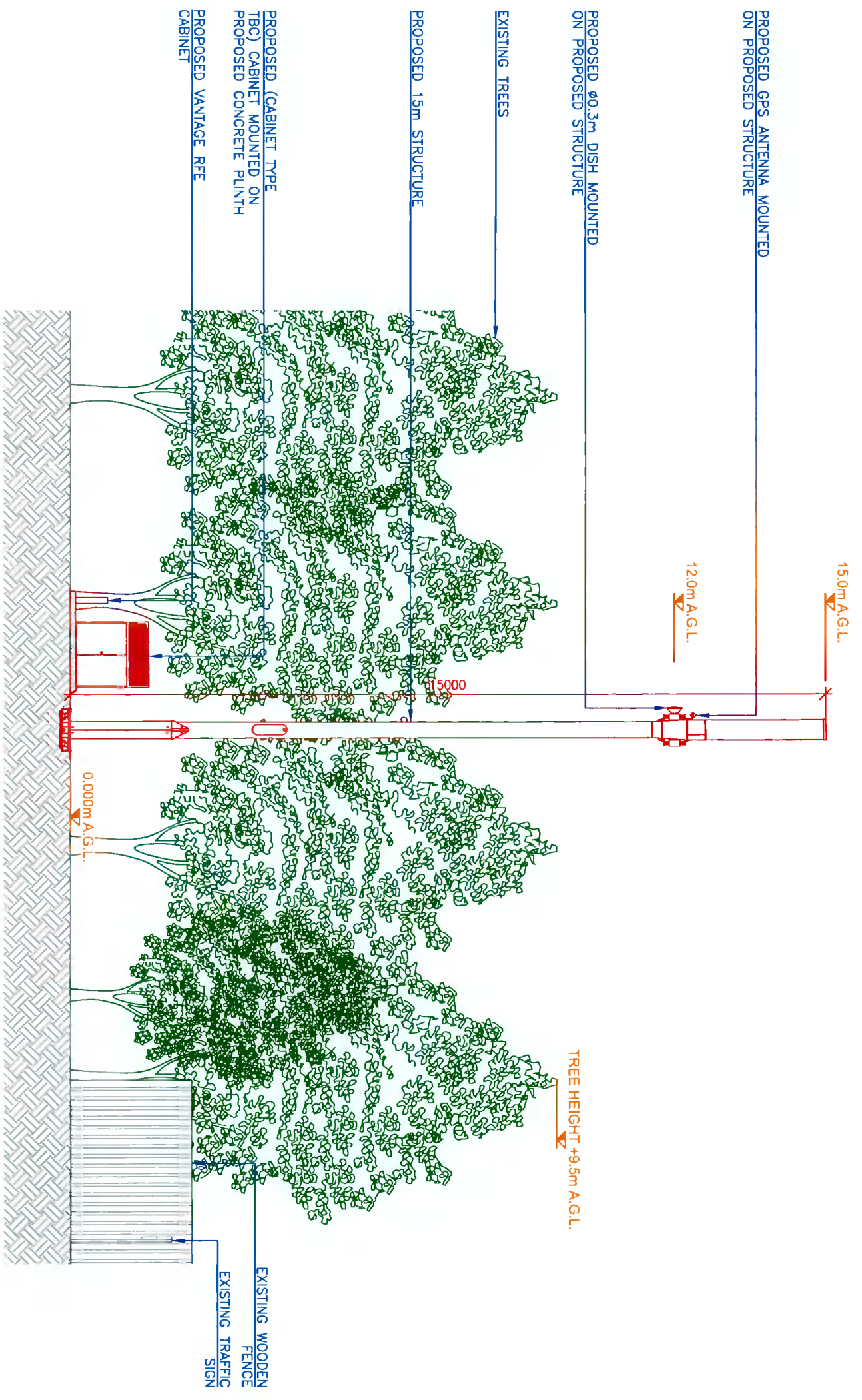




Site Code: DX039 Site Name: SCHOLARSTOWN ROAD

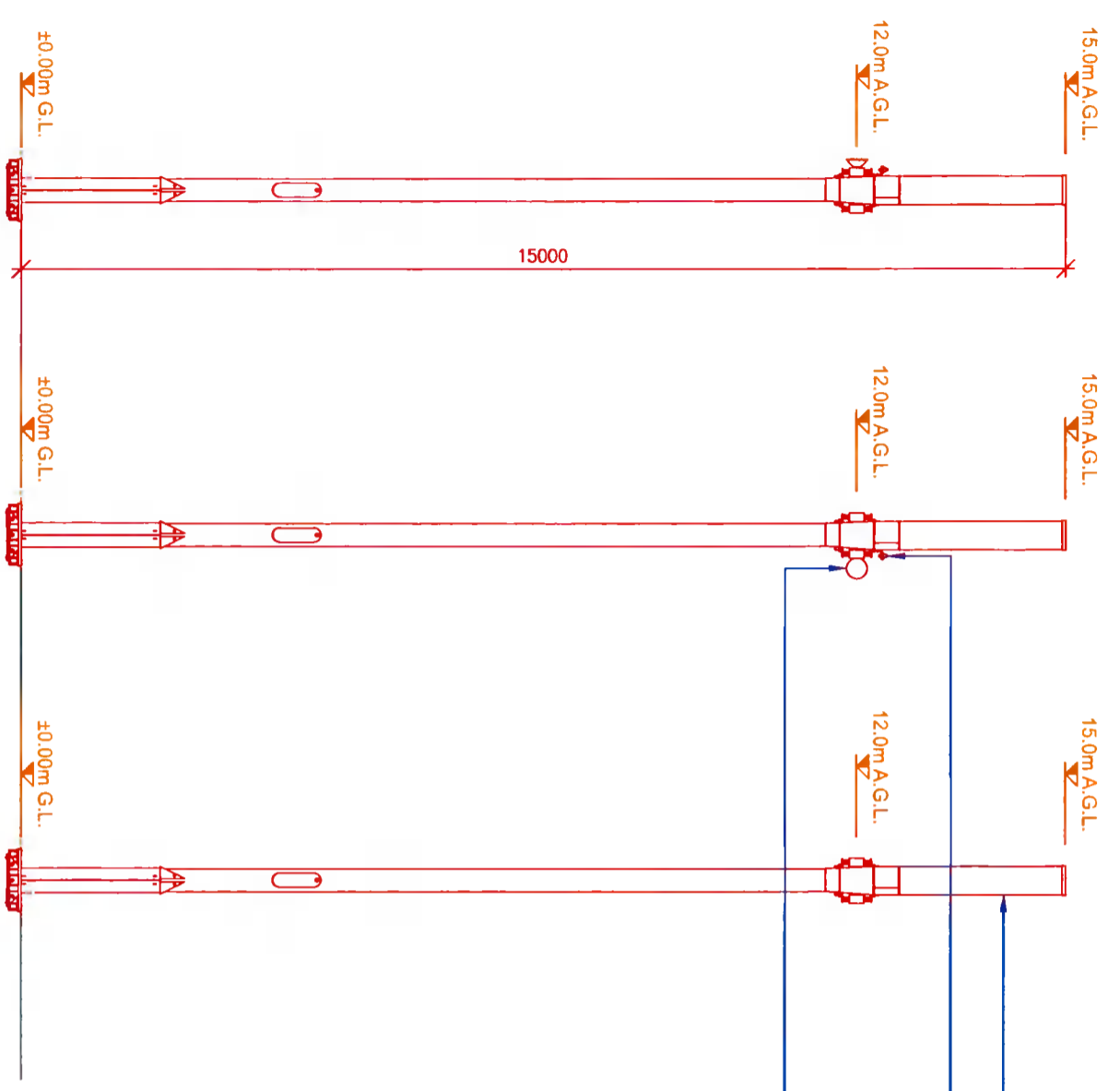


NORTH ELEVATION  
SCALE 1:100

**VANTAGE TOWERS**

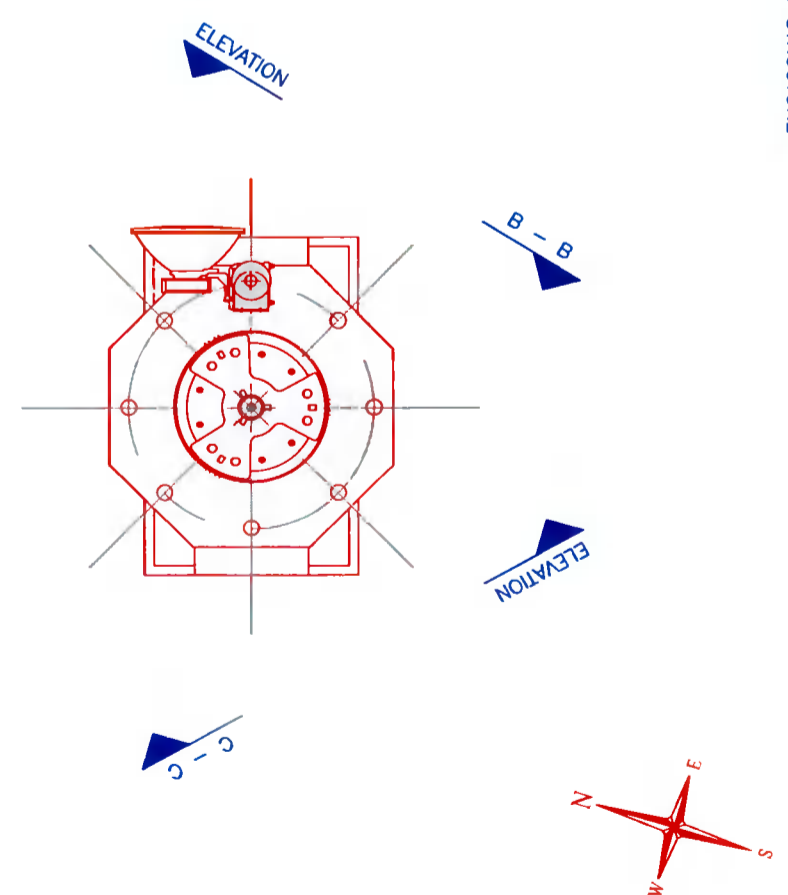
THE OWNERSHIP AND COPYRIGHT OF THIS DRAWING REMAINS WITH VANTAGE TOWERS AT ALL TIMES. THE DRAWING MAY NOT BE COPIED, DUPLICATED OR PASSED TO THIRD PARTIES WITHOUT THE WRITTEN PERMISSION OF VANTAGE TOWERS.

<p><b>Notes:</b></p> <ol style="list-style-type: none"> <li>Do not scale.</li> <li>All dimensions are in mm unless specified.</li> <li>Assume all site details are existing unless otherwise specified.</li> </ol>		<p><b>Revisions:</b></p> <table border="1"> <thead> <tr> <th>Rev.</th> <th>Description</th> <th>By</th> <th>Date</th> </tr> </thead> <tbody> <tr> <td>A</td> <td>PROPOSED SITE LOCATION CHANGED</td> <td>SN</td> <td>05/10/21</td> </tr> <tr> <td>B</td> <td></td> <td>KG</td> <td>27/07/21</td> </tr> <tr> <td>C</td> <td></td> <td></td> <td></td> </tr> <tr> <td>D</td> <td></td> <td></td> <td></td> </tr> <tr> <td>E</td> <td></td> <td></td> <td></td> </tr> <tr> <td>F</td> <td></td> <td></td> <td></td> </tr> <tr> <td>G</td> <td></td> <td></td> <td></td> </tr> <tr> <td>H</td> <td></td> <td></td> <td></td> </tr> </tbody> </table>		Rev.	Description	By	Date	A	PROPOSED SITE LOCATION CHANGED	SN	05/10/21	B		KG	27/07/21	C				D				E				F				G				H			
Rev.	Description	By	Date																																				
A	PROPOSED SITE LOCATION CHANGED	SN	05/10/21																																				
B		KG	27/07/21																																				
C																																							
D																																							
E																																							
F																																							
G																																							
H																																							
<p><b>Structure Details</b></p> <p>Type: RBS 6102</p> <p>Dims: 1300x700x1450mm</p> <p>Colour: GREEN FIELD</p> <p>Structure Details</p> <p>Type: GREEN FIELD</p> <p>Height: 15.0m</p>		<p><b>Purpose</b></p> <p>PLANNING APPLICATION DRAWING</p> <p>Scale: AS SHOWN</p>																																					
<p><b>Drawn</b></p> <p>DX039</p> <p>Date: 05/10/21</p>		<p><b>Checked</b></p> <p>DS</p> <p>Date: 05/10/21</p>																																					
<p><b>Drawn</b></p> <p>SN</p> <p>Date: 05/10/21</p>		<p><b>Approved</b></p> <p>IB</p> <p>Date: 05/10/21</p>																																					
<p><b>Title</b></p> <p>North Elevation</p>		<p><b>Project</b></p> <p>PROPOSED VANTAGE TOWERS SITE AT SCHOLARSTOWN ROAD, SCHOLARSTOWN, CO. DUBLIN</p>																																					
<p><b>Drawing No.</b></p> <p>DX039 / 002 / 06</p>		<p><b>Revision</b></p> <p>A</p>																																					



ELEVATION A-A      ELEVATION B-B      ELEVATION C-C

STRUCTURE ELEVATIONS  
SCALE 1:100



STRUCTURE PLAN  
SCALE 1:20

Site Code: DX039      Site Name: SCHOLARSTOWN ROAD

**VANTAGE  
TOWERS**

Notes:  
1. Do not scale.  
2. All dimensions are in mm unless specified.  
3. Assume all site details are existing unless otherwise specified.

Rev	Description	By	Date
A	PROPOSED SITE LOCATION CHANGED	SN	05/10/21
B	PLANNING APPLICATION DRAWING	KG	27/07/21

Client/Contract Details  
Type: RBS 6102  
Dims: 1300x700x1450mm  
Structure Details  
Type: GREEN FIELD  
Height: 15.0m

Drawn	Checked	Approved
SN	DS	IB
Date: 05/10/21	Date: 05/10/21	Date: 05/10/21

Project: PROPOSED VANTAGE TOWERS SITE AT SCHOLARSTOWN ROAD, SCHOLARSTOWN, CO. DUBLIN  
Drawing No: DX039 / 002 / 07

NOT FOR CONSTRUCTION - AWAITING PCM  
Revision: A

THE OWNERSHIP AND COPYRIGHT OF THIS DRAWING REMAINS WITH VANTAGE TOWERS AT ALL TIMES. THE DRAWING MAY NOT BE COPIED, DUPLICATED OR PASSED TO THIRD PARTIES WITHOUT THE WRITTEN PERMISSION OF VANTAGE TOWERS.