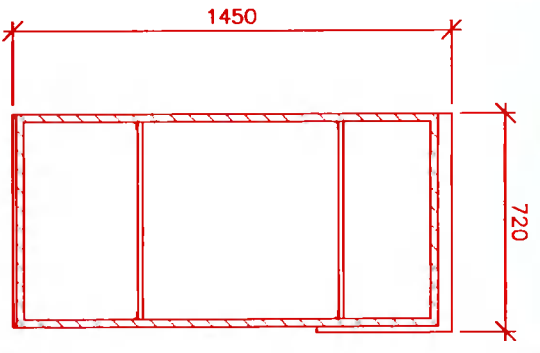
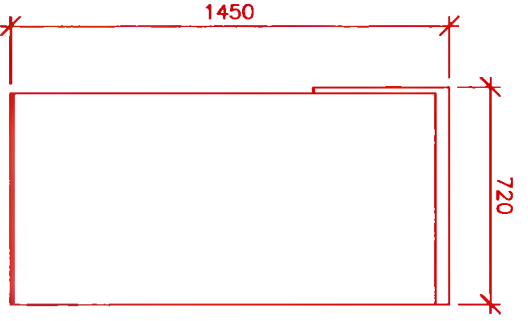


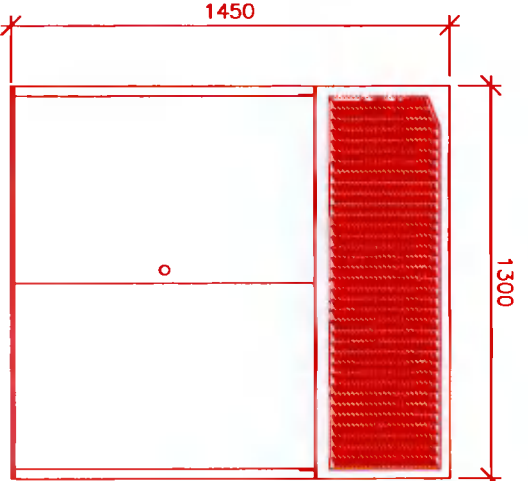
REAR ELEVATION



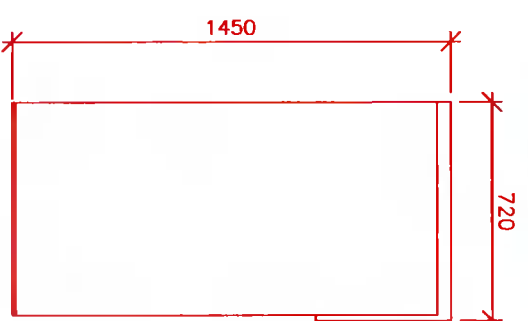
SECTION THRU'



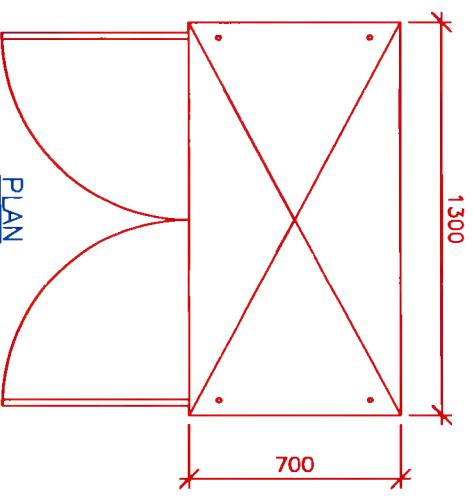
SIDE VIEW 1



FRONT ELEVATION



SIDE VIEW 2



PLAN



PROPOSED RBS 6102 CABINET DETAILS
SCALE 1:25

Notes

- 1. Do not scale.
- 2. All dimensions are in mm otherwise specified.
- 3. Assume all site details are existing unless otherwise specified.

Rev.	Description	By	Date
A	PLANNING APPLICATION DRAWING	SBS	06/10/21

Cabinet/Drawer Details	Type: RBS 6102
Dimensions	1450x1300x700
Structure Details	Type: STEEL POLE
Height	15.0m

Purpose			
Site code	DX048	Site name	STOCKING AVENUE
Scale	As Shown	Drawn	SBS
Date	06/10/21	Checked	DS
Date	06/10/21	Approved	IB
Date	06/10/21	Sheet Size	A3

Title	Proposed Cabinet Details
Project	PROPOSED VANTAGE TOWERS SITE AT STOCKING AVENUE BALLYCULLEN, CO. DUBLIN.
Drawing No.	DX048 / 002 / 08

NOT FOR CONSTRUCTION - AWAITING PCM

Site Code: DX048	Site Name: STOCKING AVENUE
------------------	----------------------------