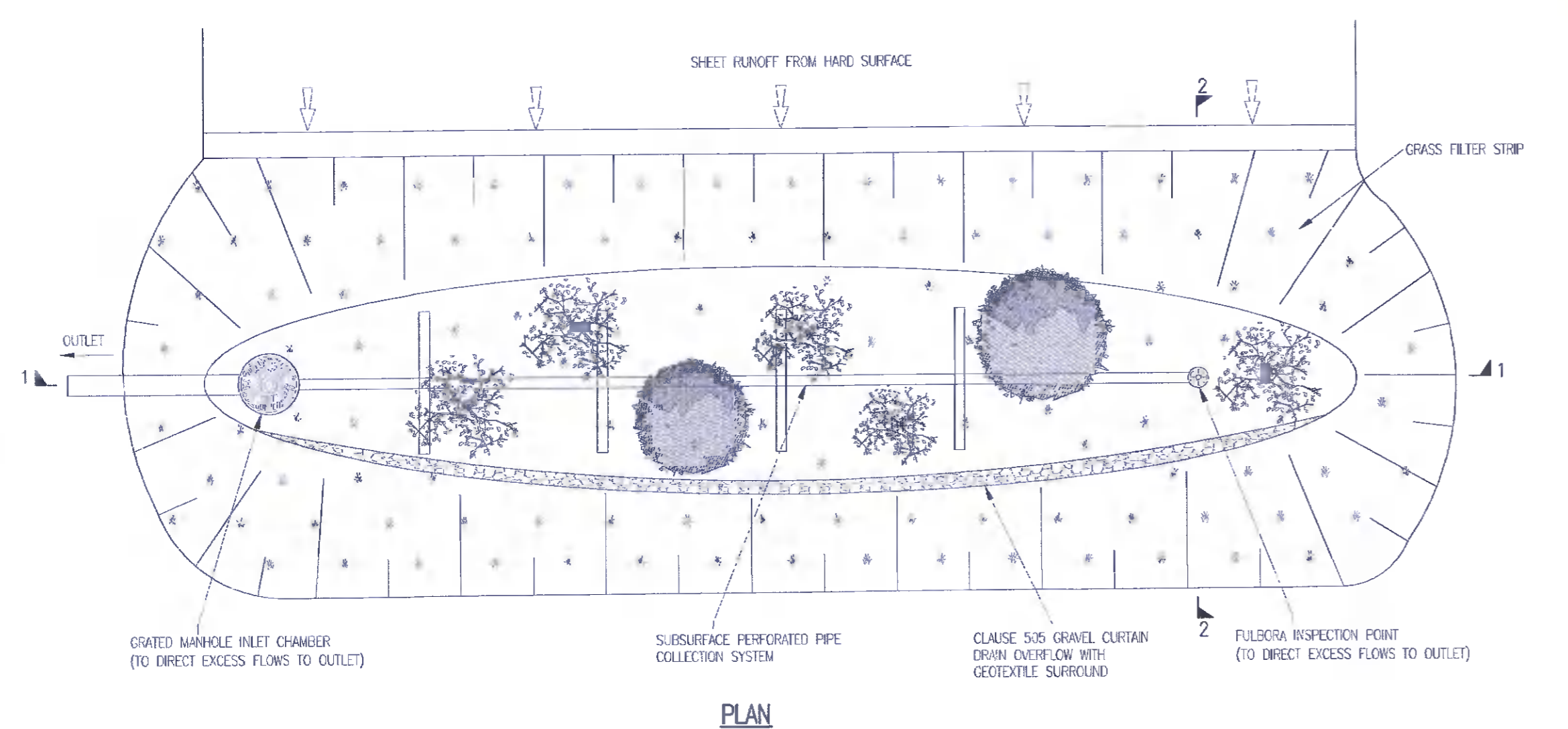
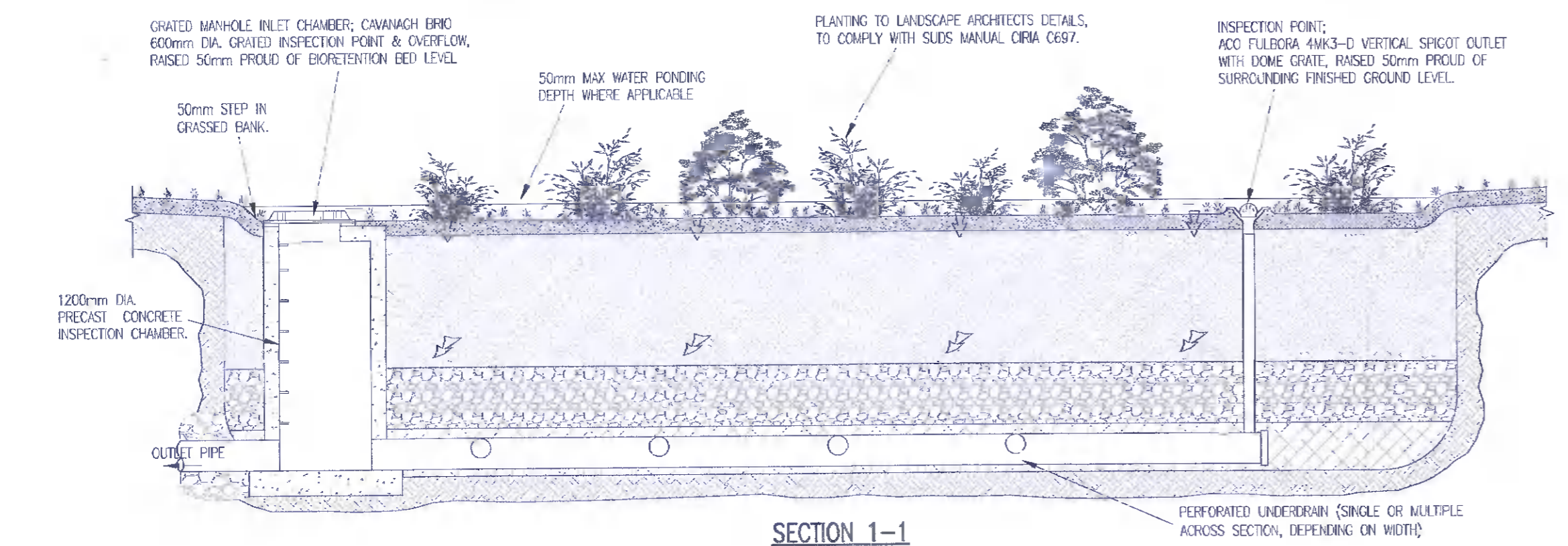


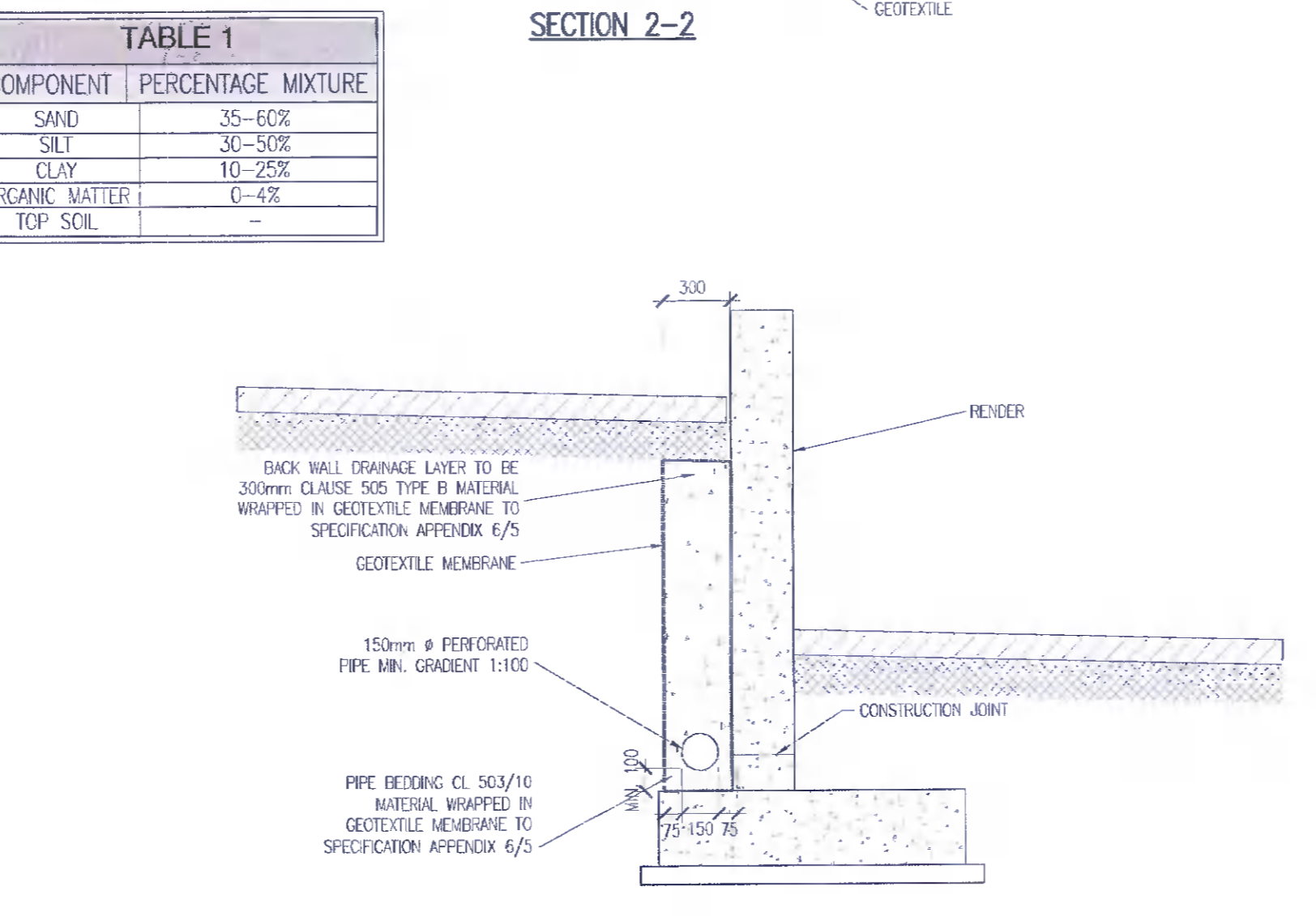
- NOTES:**
- GENERAL NOTES:**
1. ALL WORKS SHALL BE CONSTRUCTED IN ACCORDANCE WITH THE SPECIFICATION FOR ROADWORKS AND SOUTH DUBLIN COUNTY COUNCIL STANDARDS.
  2. ALL DIMENSIONS ARE IN METRES UNLESS SPECIFIED OTHERWISE.
  3. ALL COORDINATES ARE TO THE ITM (IRISH TRANSVERSE MERCATOR) GEOGRAPHIC COORDINATE SYSTEM.
  4. ALL LEVELS ARE TO ORDNANCE DATUM (M.A.S.L.) UNLESS OTHERWISE SPECIFIED.
  5. ALL TEMPORARY TRAFFIC MANAGEMENT SHALL COMPLY WITH CHAPTER 6 OF THE TRAFFIC SIGNS MANUAL.
  6. ALL MATERIAL DISPOSED OFF SITE SHALL BE TAKEN TO A LICENSED FACILITY APPROVED BY SOUTH DUBLIN COUNTY COUNCIL.
  7. ALL AGGREGATES PROPOSED FOR USE ON THIS SCHEME SHALL MEET FULLY THE REQUIREMENTS OF THE CONTRACT SPECIFICATION AND, IN ADDITION, THE REQUIREMENTS STATED IN STANDARD RECOMMENDATION SR 21/2014. GUIDANCE ON THE USE OF IS EN 12622 + A1 2007 - AGGREGATES FOR UNBOUND AND HYDRALLY BOUND MATERIALS FOR USE IN CIVIL ENGINEERING WORK AND ROAD CONSTRUCTION. FURTHER DETAIL IS PROVIDED IN ADDITIONAL CLAUSE 1444R OF THE CONTRACT SPECIFICATION.

- DRAWING SPECIFIC NOTES:**
1. WHERE ROCKS OR OTHER HARD TRENCH BOTTOMS ARE ENCOUNTERED THE FIGURE DENOTED BY \* IS TO BE DOUBLED.
  2. TYPE 1 GRANULAR MATERIAL: BROKEN STONE OR GRAVEL TO PASS 10mm SIEVE AND BE RETAINED ON 6mm SIEVE.
  3. TYPE 2 GRANULAR MATERIAL: BROKEN STONE OR GRAVEL TO PASS 10mm - 25mm SIEVE, ACCORDING TO PIPE SIZE, (SEE TABLE) AND BE RETAINED ON 5mm SIEVE.
  4. CLAUSE 601'S F.W. BACKFILL: UNIFORM READILY COMPACTED MATERIAL FREE FROM TREE ROOTS, VEGETABLE MATTER, BUILDING DEBRIS, AND FROZEN SOIL AND EXCLUDING CLAY LUMPS RETAINED ON A 75mm SIEVE AND STONES RETAINED ON A 37.5mm SIEVE.
  5. RIGID PIPES SHALL BE CAST OR SPUN IRON, CONCRETE OR CLAY.
  6. GULLY GRATINGS AND FRAMES SHALL COMPLY WITH THE REQUIREMENTS OF IS EN 124 1994. GULLIES SHALL BE CLASS D400.
  7. GULLY WALLS SHALL BE CONSTRUCTED IN CLASS 30/100 PRECAST OR IN SITU CONCRETE OR ALTERNATIVELY IN SOLID CONCRETE BLOCKS DESIGNATED S10, STRENGTH 10/100/2.
  8. ALL PIPES TO BE BEDDED IN ACCORDANCE WITH MANUFACTURERS RECOMMENDATIONS.

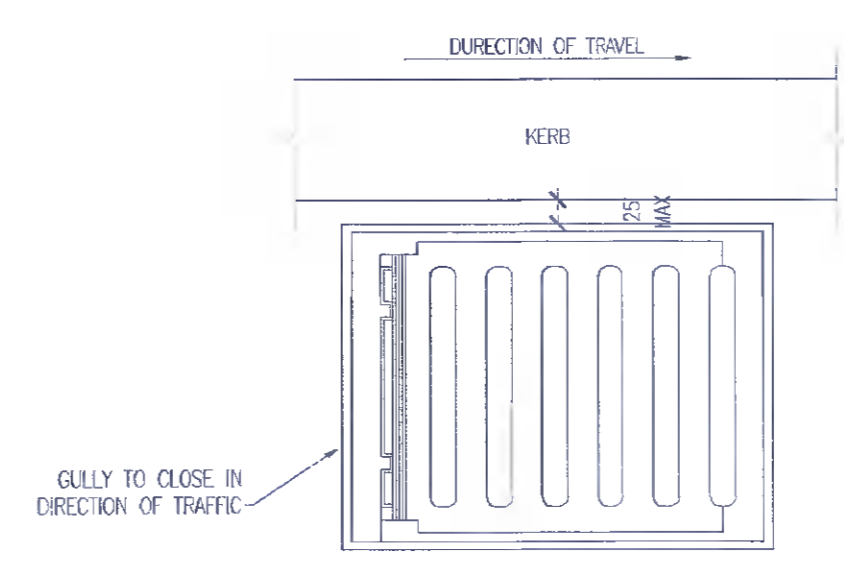


**TABLE 1**

COMPONENT	PERCENTAGE MIXTURE
SAND	35-60%
SILT	30-50%
CLAY	10-25%
ORGANIC MATTER	0-4%
TOP SOIL	-

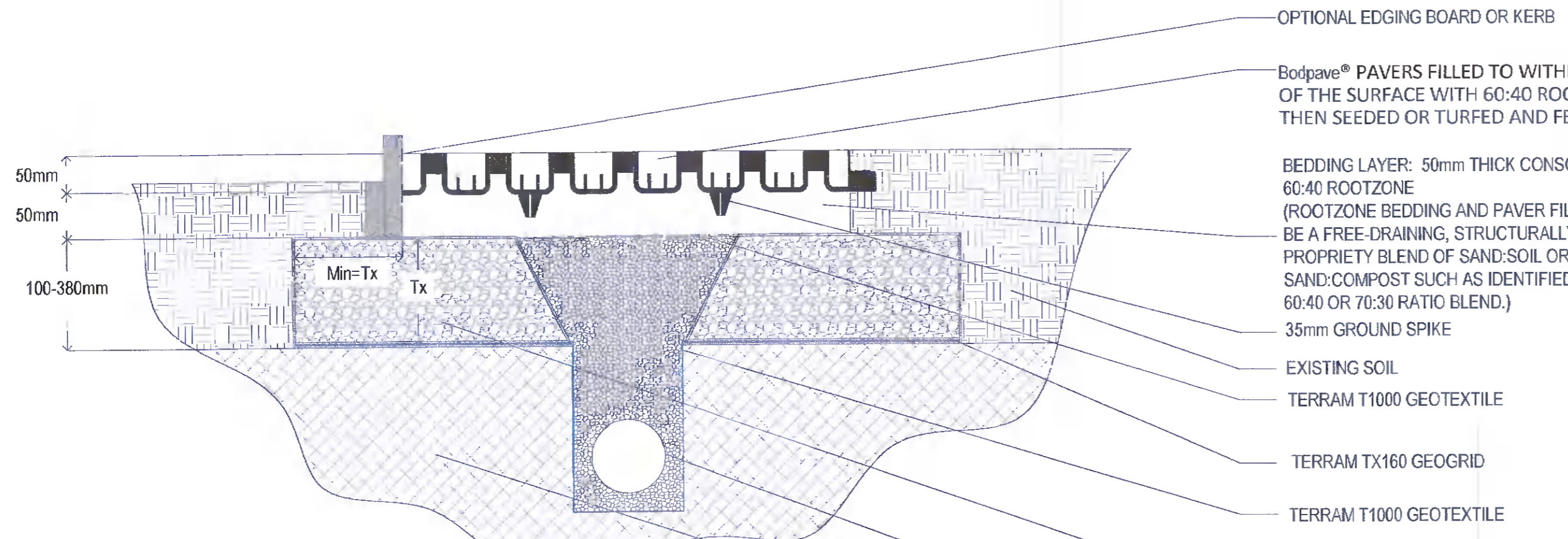


**TYPICAL BACK OF WALL DRAINAGE**  
SCALE: 1:25



**ROAD GULLY DETAILS SECTION**  
SCALE: 1:25

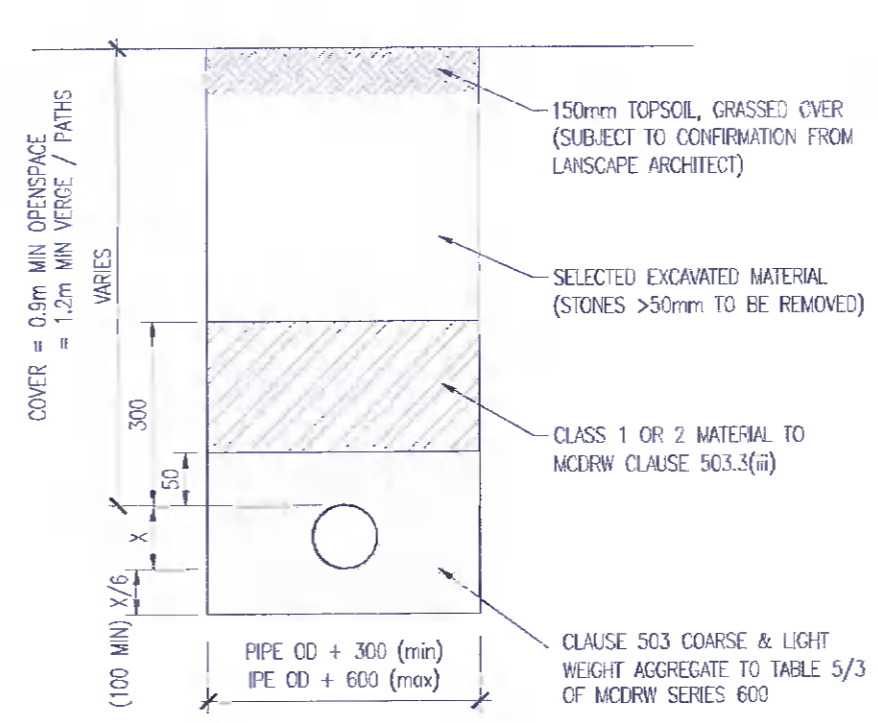
**BIORETENTION AREA - SCHEMATIC LAYOUT**  
SCALE: N.T.S.



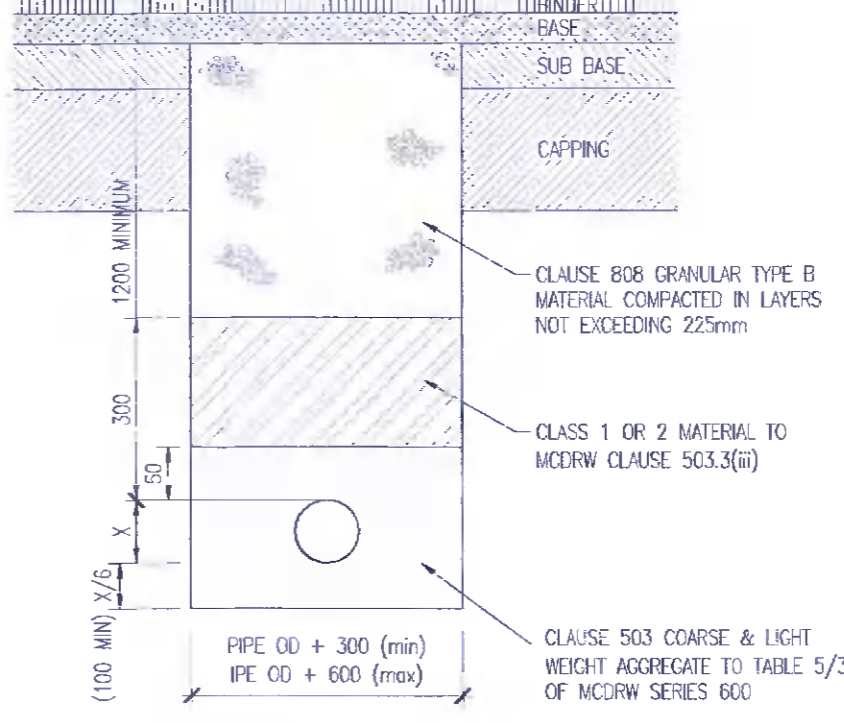
**Table 1: Typical Sub-base Thickness (Tx) Requirements - refer to 2 Typical Construction Profile**

APPLICATION/LOAD	CBR (%) STRENGTH OF SUBGRADE SOIL	(Tx) D1 SUB-BASE THICKNESS (mm)	TERRAM TX160 GEOGRID
Fire trucks, Coaches and occasional HGVs access	≥ 6	100mm	TX160
	= 4 < 6	120mm	TX160
	= 2 < 4	150mm	TX160
	= 1 < 2	350mm	TX160
Light vehicle access and overspill car parking	≥ 6	100mm	TX160
	= 4 < 6	100mm	TX160
	= 2 < 4	135mm	TX160
	= 1 < 2	260mm	TX160

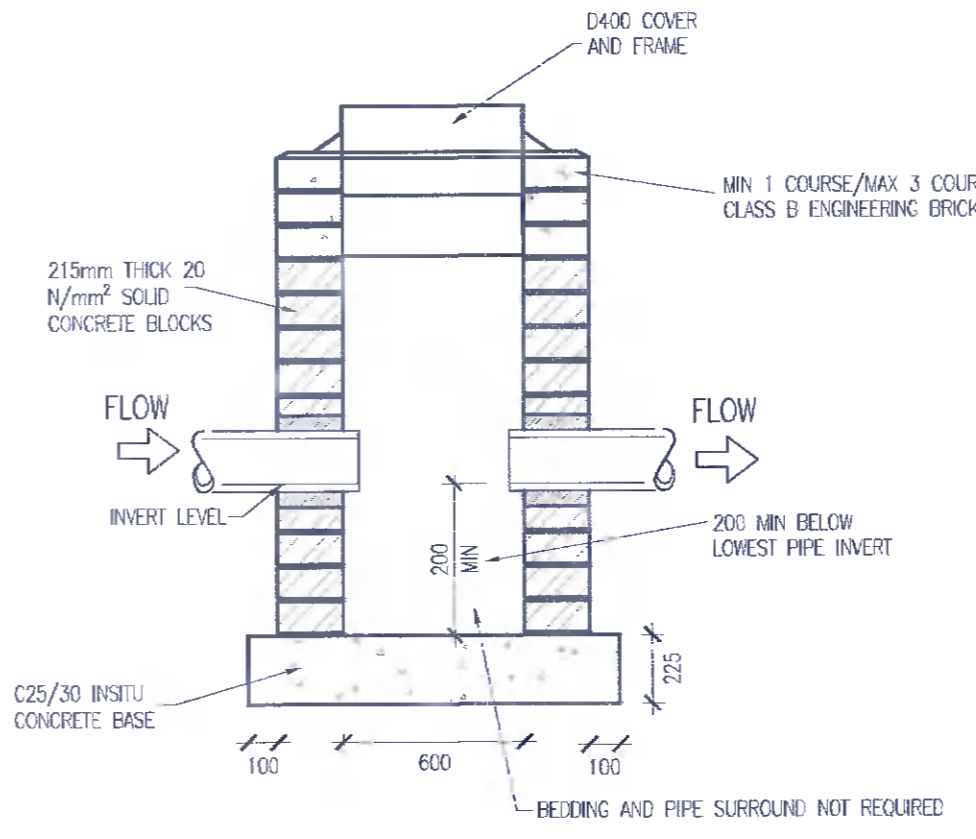
**BODPAVE 85 DETAIL**  
SCALE: N.T.S.



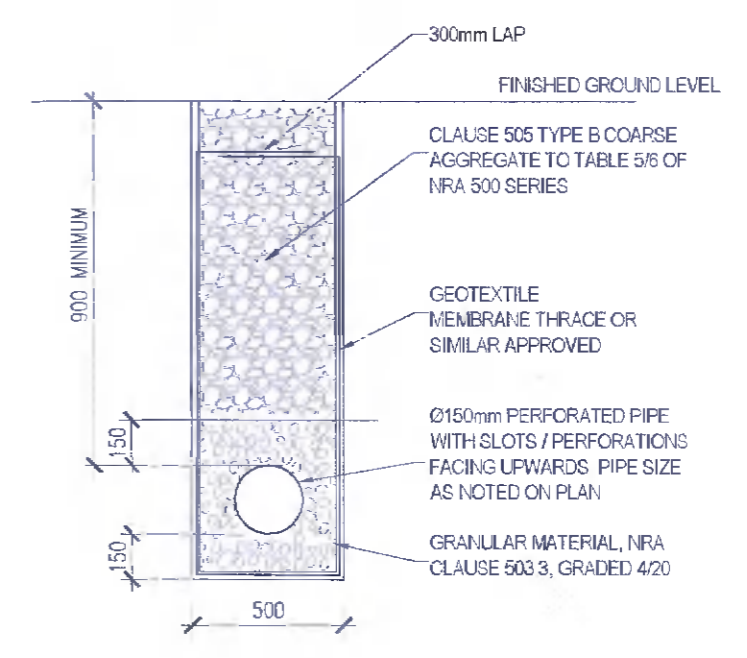
**BEDDING/BACKFILL ACROSS OPEN SPACE**  
SCALE: 1:25



**BEDDING/BACKFILL IN ROADWAYS/VERGES/PATHS**  
SCALE: 1:25



**INSPECTION CHAMBER**  
SCALE: 1:25



**TYPICAL FILTER DRAIN**  
SCALE: 1:25

REV	DATE	DESCRIPTION	BY	CHKD
P01	15-11-21	ISSUED FOR PLANNING RESPONSE	TCA	xx

**DBFL Consulting Engineers**  
Civil, Structural & Landscape Engineers  
www.dbfl.ie

DUBLIN OFFICE: Ormeau House, 100 Ormeau Quay, Dublin 7, Ireland  
PHONE: +353 1 400 4000

WATERFORD OFFICE: Unit 2, The Chandery, 147 O'Connell Street, Waterford, Ireland  
PHONE: +353 51 309 500

project ref: **GOWAN CITY WEST**

drawing title: **TYPICAL DRAINAGE DETAILS**

client: **GOWAN MOTORS**

DESIGNED BY	AUTHOR	SCALE	SHEET SIZE
TCA	TCA	AS NOTED	A1