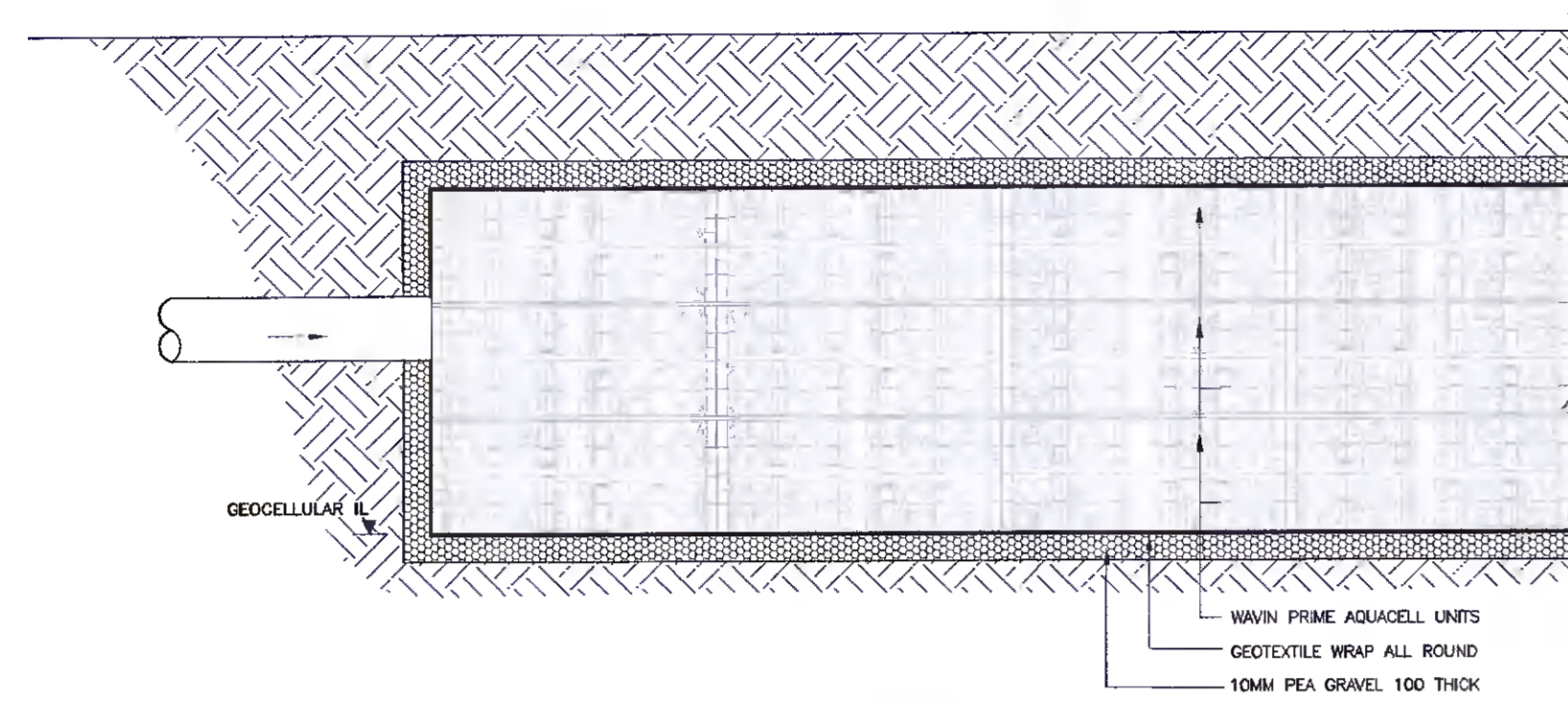


NOTES:  
 OBA CONSULTING CIVIL & STRUCTURAL ENGINEERS  
 THIS DRAWING AND ALL DESIGN HEREON IS THE COPYRIGHT OF THE CONSULTANTS AND MUST NOT BE REPRODUCED WITHOUT THEIR WRITTEN CONSENT.

ALL DRAWINGS REMAIN THE PROPERTY OF THE CONSULTANTS.

FIGURED DIMENSIONS ONLY TO BE TAKEN FROM THIS DRAWING. DO NOT SCALE. ALL DIMENSIONS TO BE CHECKED ON SITE.

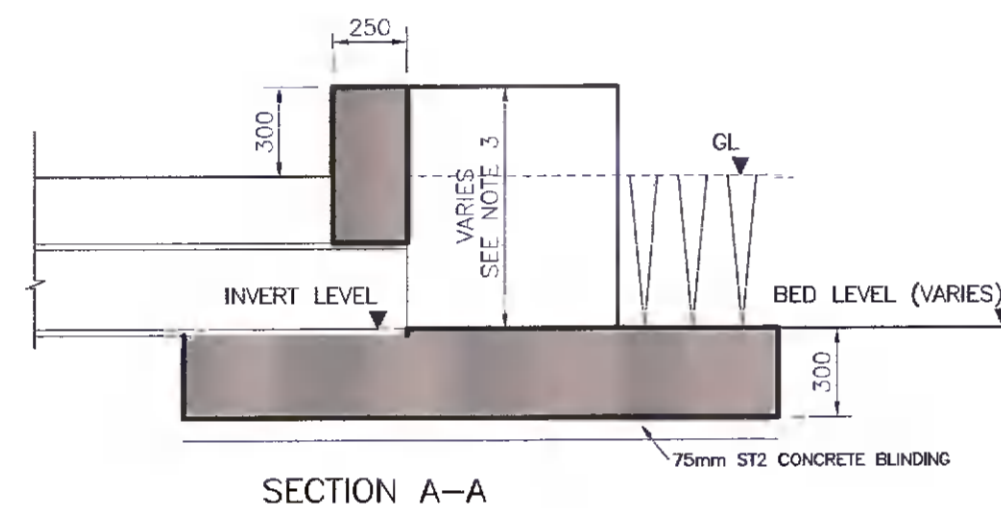
CONSULTANTS TO BE INFORMED OF ANY DISCREPANCIES BEFORE WORK COMMENCES



WAVIN AQUACELL GEOCELLULAR SOAKAWAY / ATTENUATION SUFFICIENT STORAGE TO ACCOMMODATE 1:100 YEAR RETURN STORM (+20%).

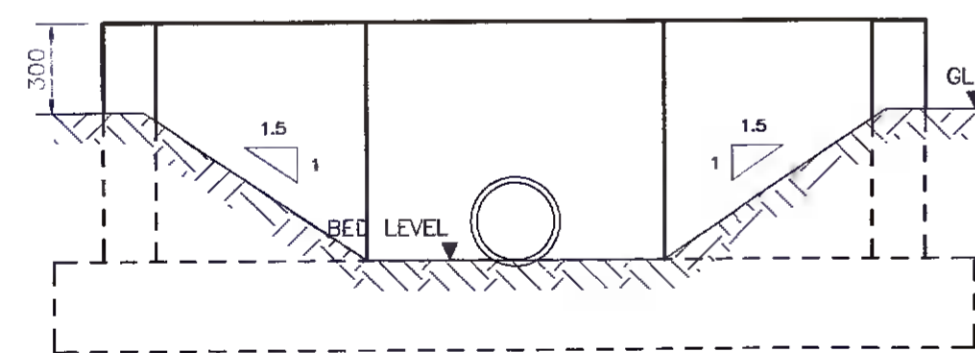
**SCHEMATIC SECTION THRU SW SOAKAWAY**

SCALE 1:25

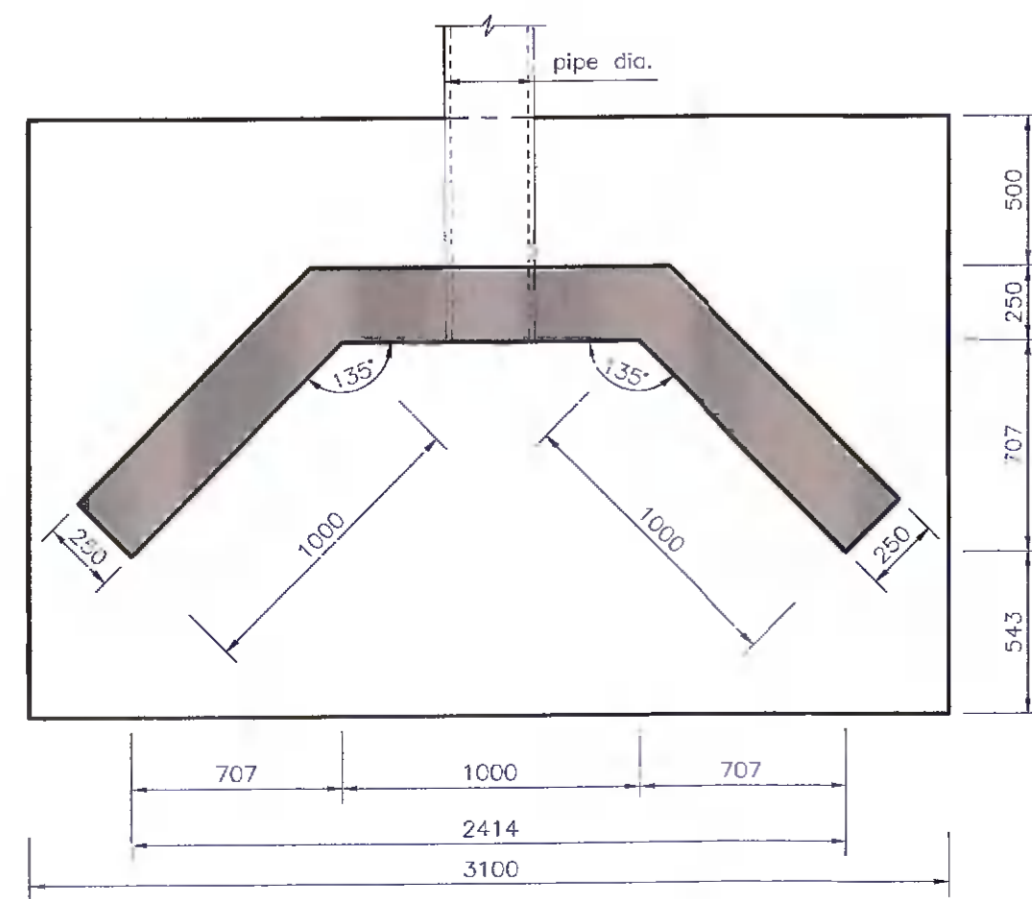


NOTES:

1. THIS RCD IS ONLY TO BE USED IN ASSOCIATION WITH A UNIQUE STRUCTURAL DESIGN CARRIED OUT FOR THE HEADWALLS ON A PROJECT IN ACCORDANCE WITH RELEVANT DESIGN CODES AND GROUND CONDITIONS.
2. ALL EXPOSED CONCRETE SURFACES FROM 100mm BELOW GROUND LEVEL TO BE CLASS F3 FINISH UNLESS OTHERWISE SPECIFIED.
3. REFER TO DRAINAGE LONGITUDINAL SECTIONS AND/OR DRAINAGE SCHEDULES FOR PIPE DIAMETER SIZES, INVERT LEVELS AND HEADWALL HEIGHTS. MAXIMUM PIPE DIAMETER IS 300mm AND MAXIMUM HEADWALL HEIGHT IS 2.3m.
4. HEADWALL WINDINGS TO BE SLOPED WHERE APPROPRIATE, TO SUIT SITE CONDITIONS.
5. HEADWALLS AND SMALL HEADWALLS AS SPECIFIED IN THE METHOD OF MEASUREMENT SERIES 500 PARAGRAPH 35.

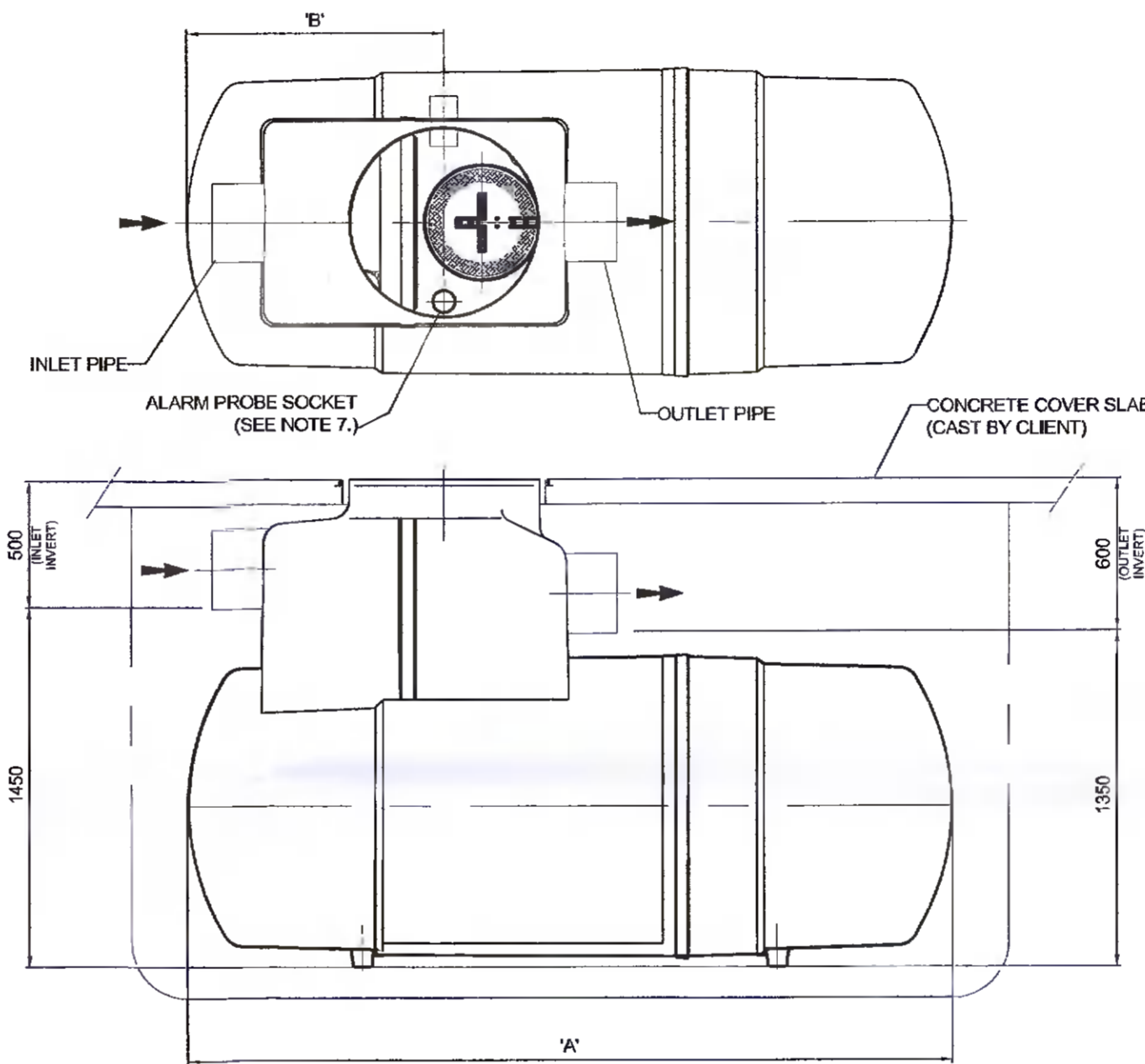
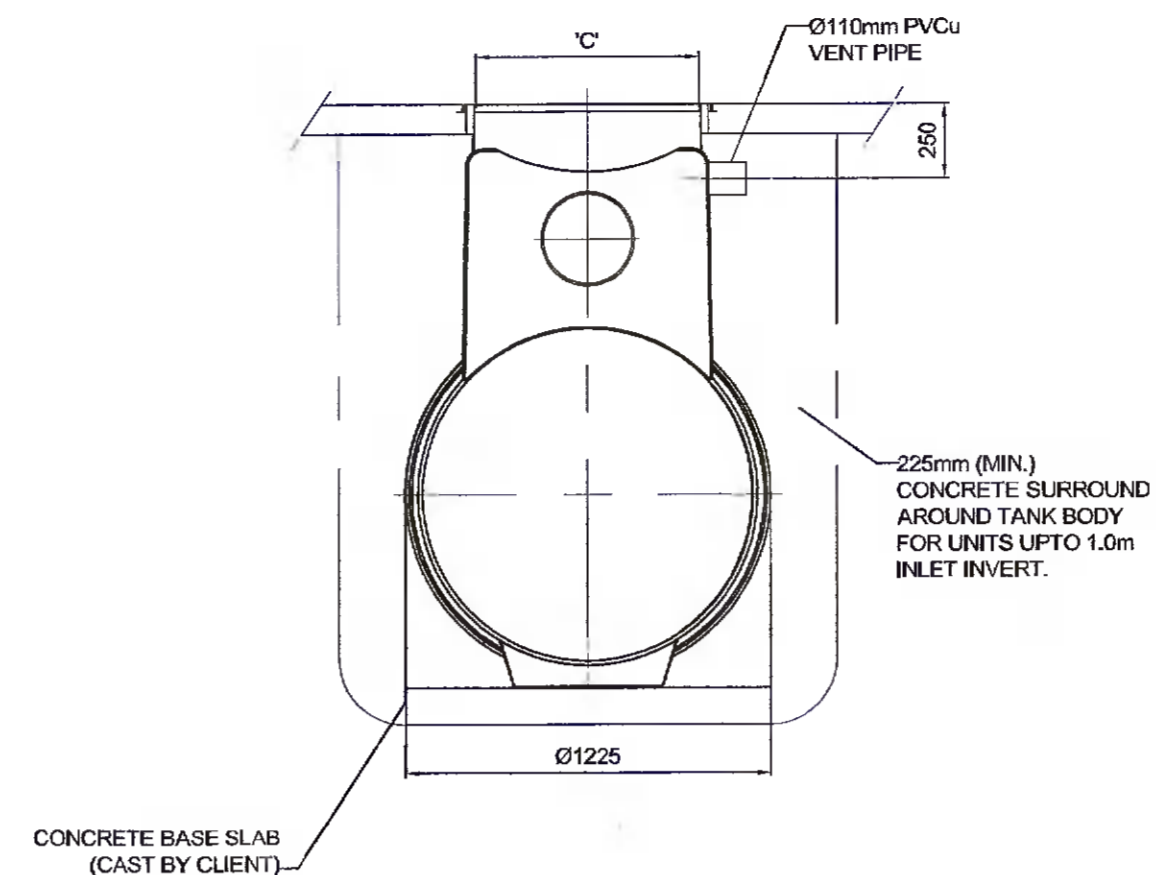


**ELEVATION**



**SMALL HEADWALL DETAIL**

SCALE 1:25



**DIMENSIONS**

UNIT REF No.	NOMINAL FLOW	DN 'A'	DN 'B'	DN 'C'	STD. PIPE Ø	APPROX. EMPTY WEIGHT (KG)	FALL ACROSS UNIT
NSB3	3 L/S	1765	850	600	160	145	100
NSB4	4.5 L/S	1765	850	600	200	145	100
NSB6	6 L/S	1765	850	750	200	160	100
NSB8	8 L/S	3065	1030	750	225	210	100
NSB10	10 L/S	3915	1030	750	300	240	100
NSB12	12 L/S	3915	1030	750	300	240	100
NSB15	15 L/S	3915	1560	750	300	240	100

NOTES:-

- 1.) INLET / OUTLET PIPES ARE PLAIN PVCu.
- 2.) PLEASE NOTE A CLASS 1 BYPASS SEPARATOR INCLUDES A COALESCER, CLASS 2 BYPASS SEPARATORS DO NOT.
- 3.) EXTENSION NECKS FOR DEEPER INVERT CAN BE PROVIDED IN 0.5m INCREMENTS FOR ON SITE ASSEMBLY. SEE DRAWING DS0616 FOR FURTHER DETAILS.
- 4.) ALL UNITS REQUIRE APPROPRIATE COVER AND FRAME TO SUIT APPLIED LOADINGS.
- 5.) THIS DRAWING SHOULD BE USED FOR DIMENSIONAL INFORMATION ONLY. IT IS ESSENTIAL THAT THIS DRAWING IS READ IN CONJUNCTION WITH INSTALLATION GUIDELINES PD0313 (SUPPLIED WITH UNIT).
- 6.) STANDARD PIPE ORIENTATION SHOWN. FOR OTHER AVAILABLE OPTIONS SEE TD05033.
- 7.) AN Ø82mm SOCKET CAN BE SUPPLIED AS AN OPTIONAL EXTRA TO HOUSE AN OIL ALARM PROBE. SEE DRAWINGS DS0691 & PD0323 FOR FURTHER DETAILS.

**PETROL INTERCEPTOR**

SCALE 1:25

Rev	Date	Description	By	Chkd
<p>Client MILLBROCK MANOR NURSING HOME</p> <p>Project Title SLADE ROAD, COOLMINES, SAGGART, CO. DUBLIN</p> <p>Drawing Title SW SOAKAWAY &amp; PETROL INTERCEPTOR DETAILS</p> <p>Architect PROJECT DESIGN ARCHITECTS</p> <p>Scale: AS SHOWN Date: OCT 2021</p> <p>Drawn: AU Chkd: COB</p> <p>Cad File:</p>				
<p>OBA CONSULTING CIVIL &amp; STRUCTURAL ENGINEERS</p> <p>The School Yard 14 Garden Street, Dublin 6, Ireland T: (01) 61 550094 Web: www.obaconsulting.ie E: clients@obaconsulting.ie</p>			<p>Drawing Status PLANNING Job Number 38-89A Drawing No. C04</p>	