

REVISIONS	
-----------	--

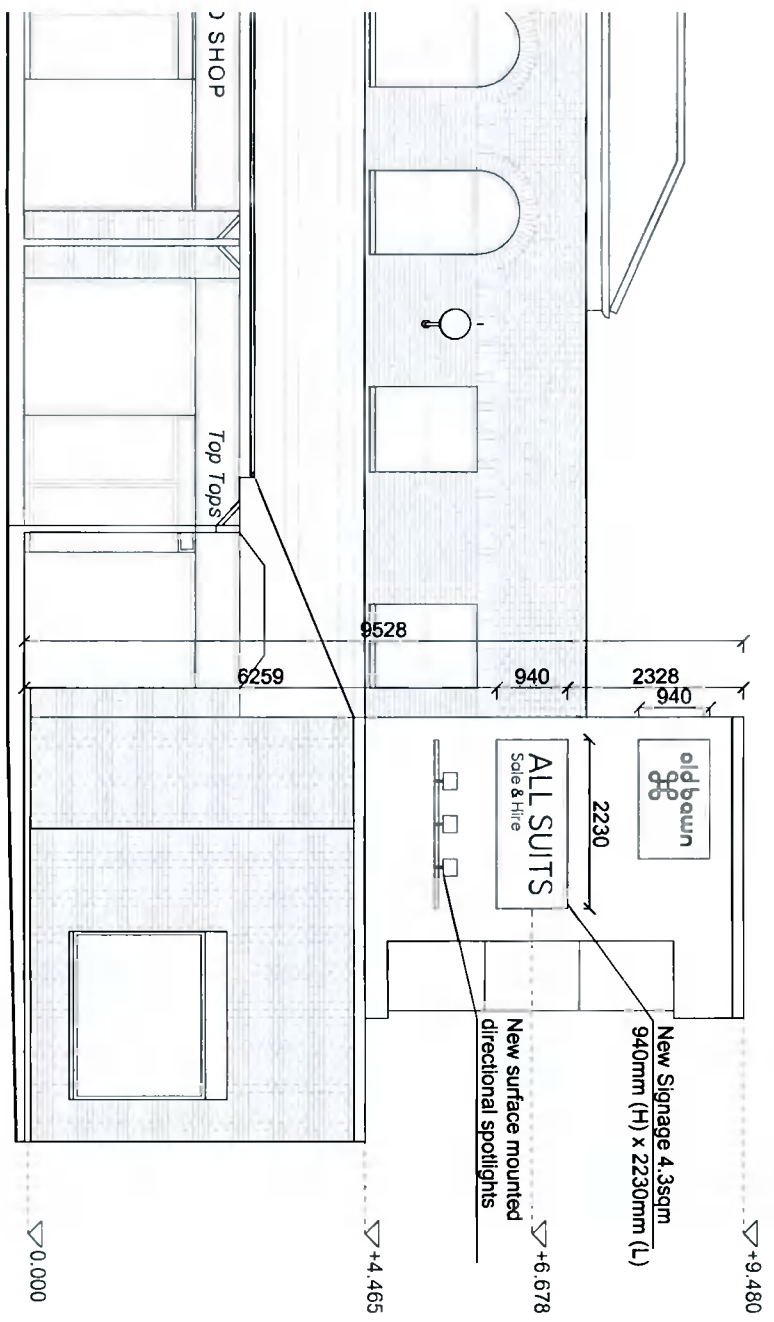
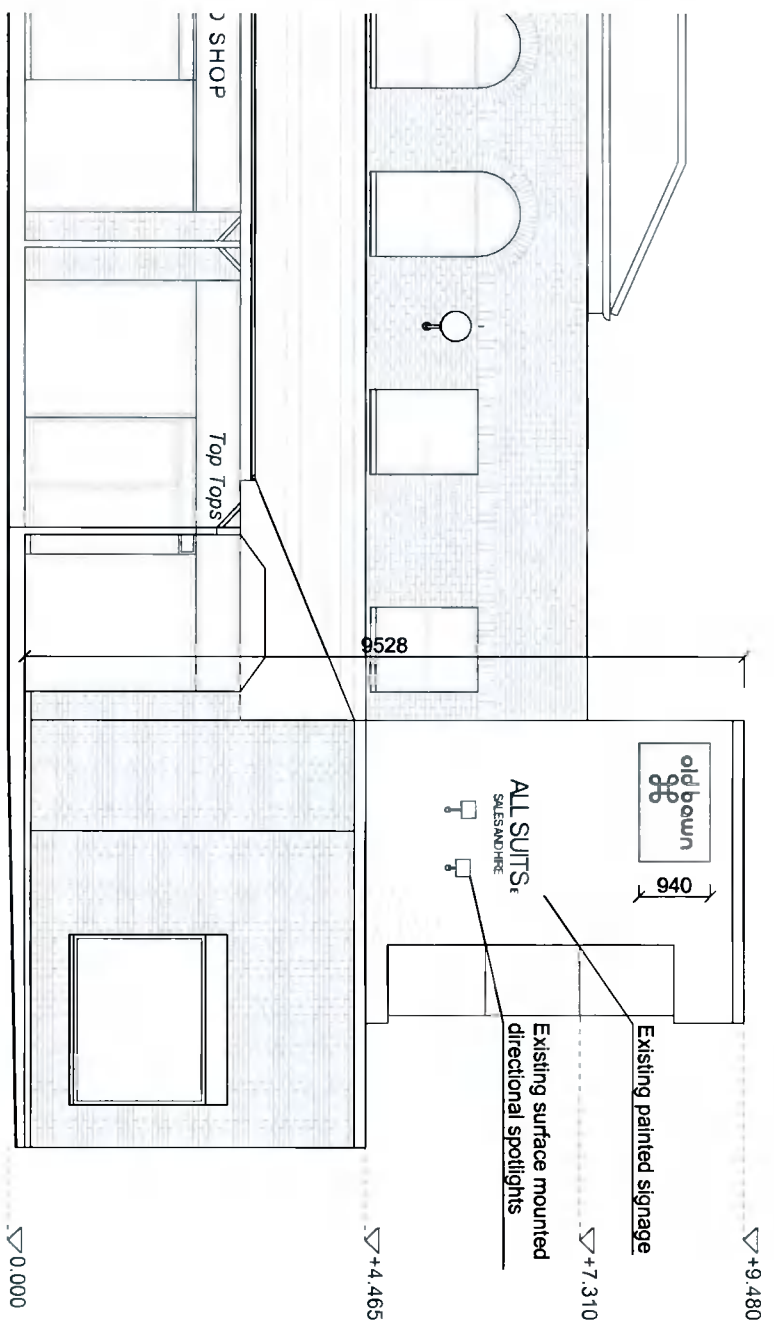
THIS DRAWING IS COPYRIGHTED
 DIMENSIONS TO BE USED IN ALL CASES.

JOB
 All Suits
 Unit 18 Old Bawn Shopping Centre
 Tallaght
 Dublin, D24 P99F

CLIENT
 Julian Judge

TITLE
 SOUTH WEST FACING ELEVATION
 Existing & Proposed

DATE	NOVEMBER 2021	DRN	CB
SCALE	AS INDICATED	CHECKED	BM
CAD FILE REF.	1928		
NUMBER	1928-PL-301	REVISION	



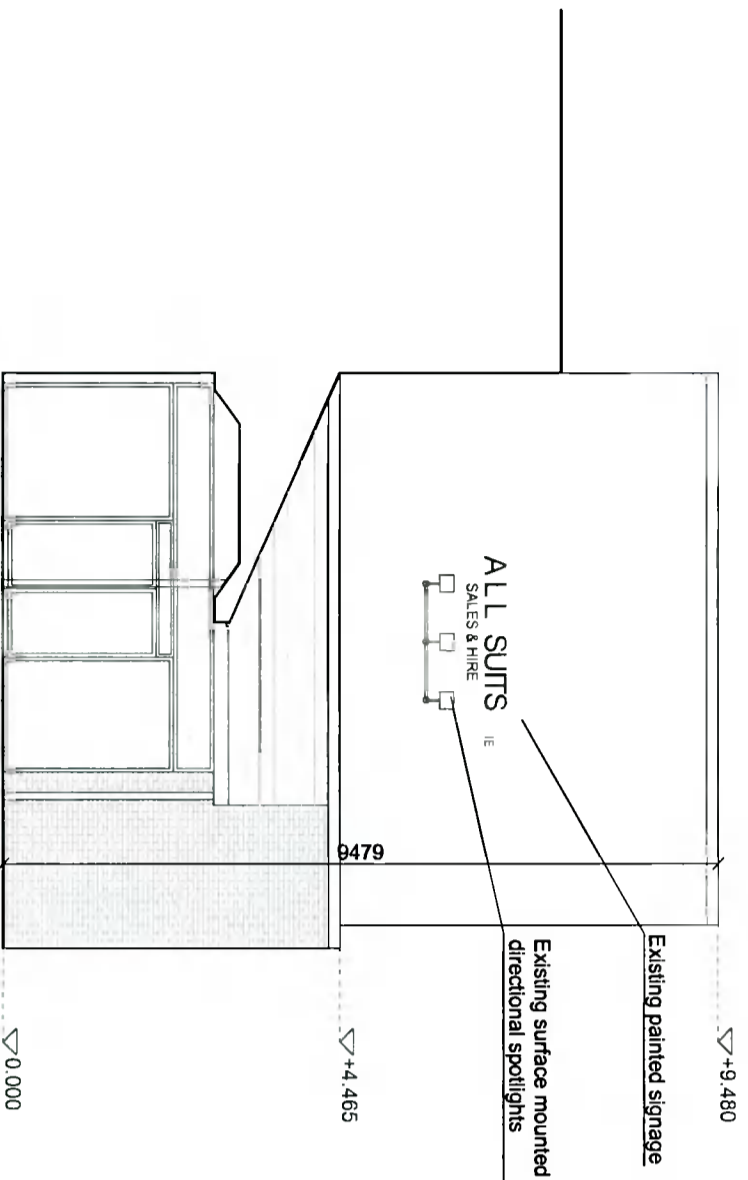
SOUTH WEST FACING ELEVATION
 Existing, 1:100

SOUTH WEST FACING ELEVATION
 Proposed, 1:100

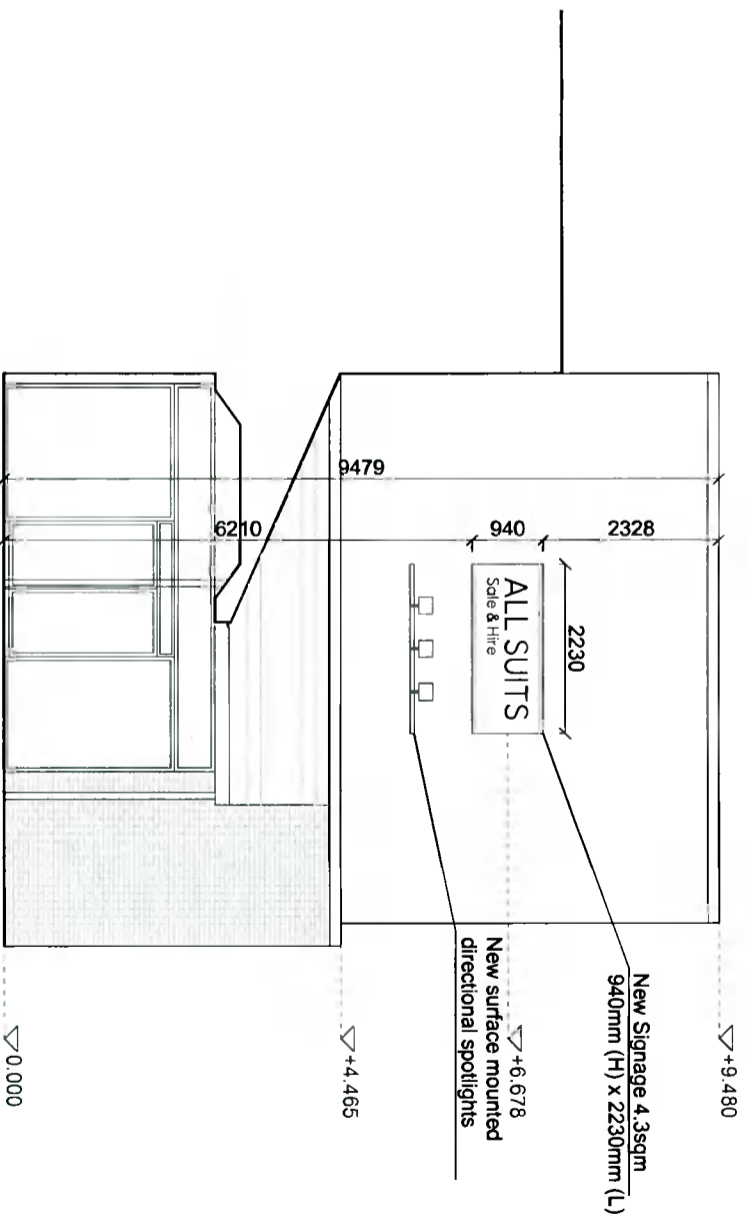
ROBIN MANDAL
ARCHITECTS

THE COURTYARD, 40 MAIN STREET
 BLACKROCK COUNTY DUBLIN

T (01) 2796184
 F (01) 2636923
 W www.meetinghall.ie
 E rme@meetinghall.ie



NORTH WEST FACING ELEVATION
Existing, 1:100



NORTH WEST FACING ELEVATION
Proposed, 1:100

REVISIONS

THIS DRAWING IS COPYRIGHT
FIGURED DIMENSIONS TO BE USED IN ALL CASES.

JOB		All Suits Unit 18 Old Bawn Shopping Centre Tallaght Dublin, D24 P99F	
CLIENT		Julian Judge	
TITLE			
NORTH WEST FACING ELEVATION Existing & Proposed			
DATE	DRN		
NOVEMBER 2021	CB		
SCALE	CHECKED		
AS INDICATED	BM		
CAD FILE REF.			
1928			
NUMBER	REVISION		
1928-PL-300			

ROBIN MANDAL
ARCHITECTS

THE COURTYARD, 40 MAIN STREET
BLACKROCK COUNTY DUBLIN

T (01) 2796164
F (01) 2636923
W www.meetinghall.ie
E rme@meetinghall.ie