

**TYPICAL MANHOLE WITH BROADS TRAP**  
(SCALE 1:20)

Date	No	Revision Notes

**hoganarchitects**

Design Firm  
 Hogan Architects  
 9 Millmount Avenue,  
 Drumcondra,  
 Dublin,  
 D09K303

www.hoganarchitects.com  
 james@hoganarchitects.com  
 085 704 1829

Project Title  
 3 Bed House - David Souhan  
 36 Montpelier View, Jobstown

Sheet Title  
 Proposed Drainage Detail - Sheet 1

Sheet Size	Drawn By
1:20 @ A3	JH
Total Sheets	Reviewed By
1	JH

Sheet No.  
 Project - Drawing Name - Drawing Number

**2126 A6-100**

Drawing Status  
 PLANNING

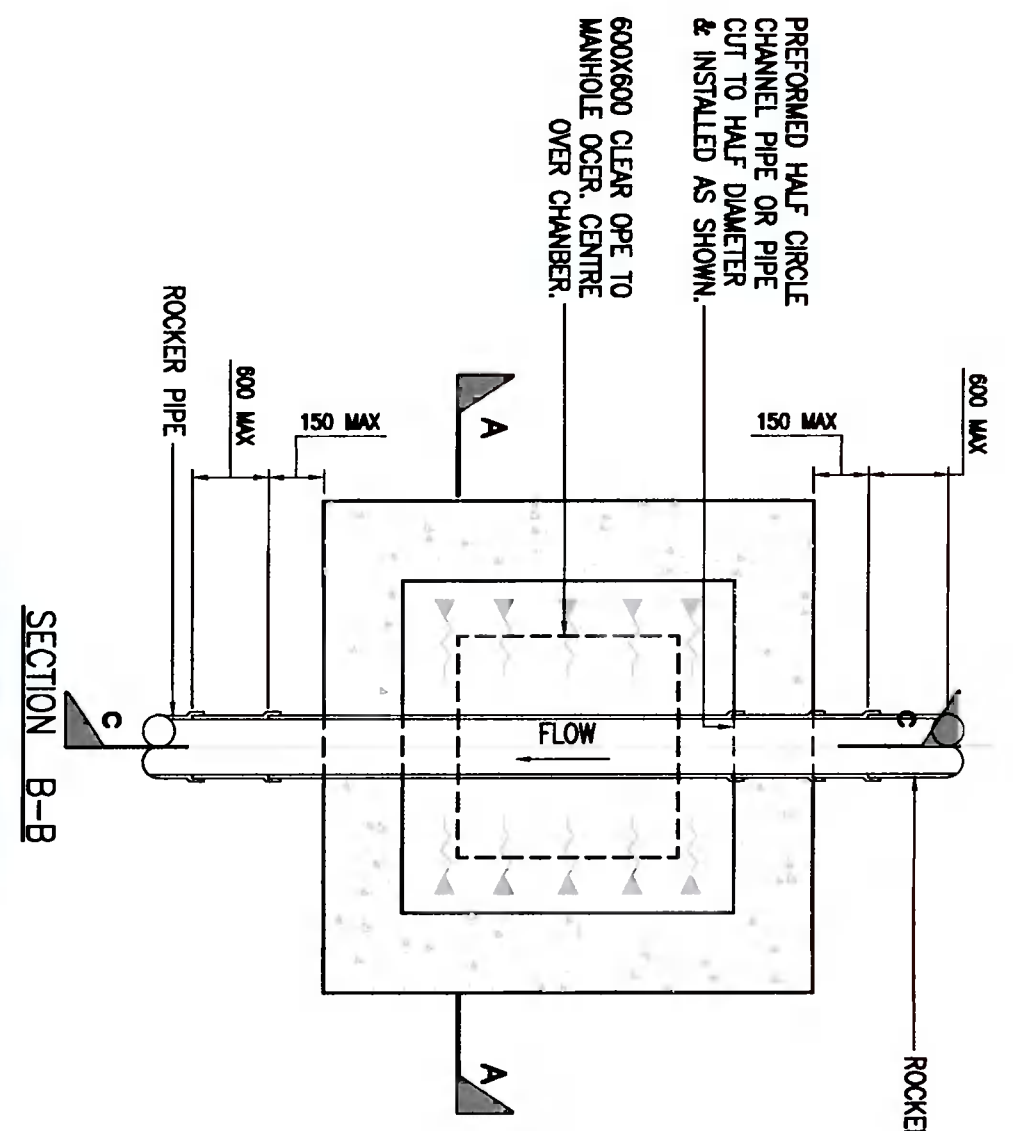
Design Firm  
**hoganarchitects**  
 Hogan Architects  
 9 Millmount Avenue,  
 Drumcondra,  
 Dublin,  
 D09K303  
 www.hoganarchitects.com  
 james@hoganarchitects.com  
 085 704 1829

Project Title  
 3 Bed House - David Souhan  
 36 Montpelier View, Jobstown

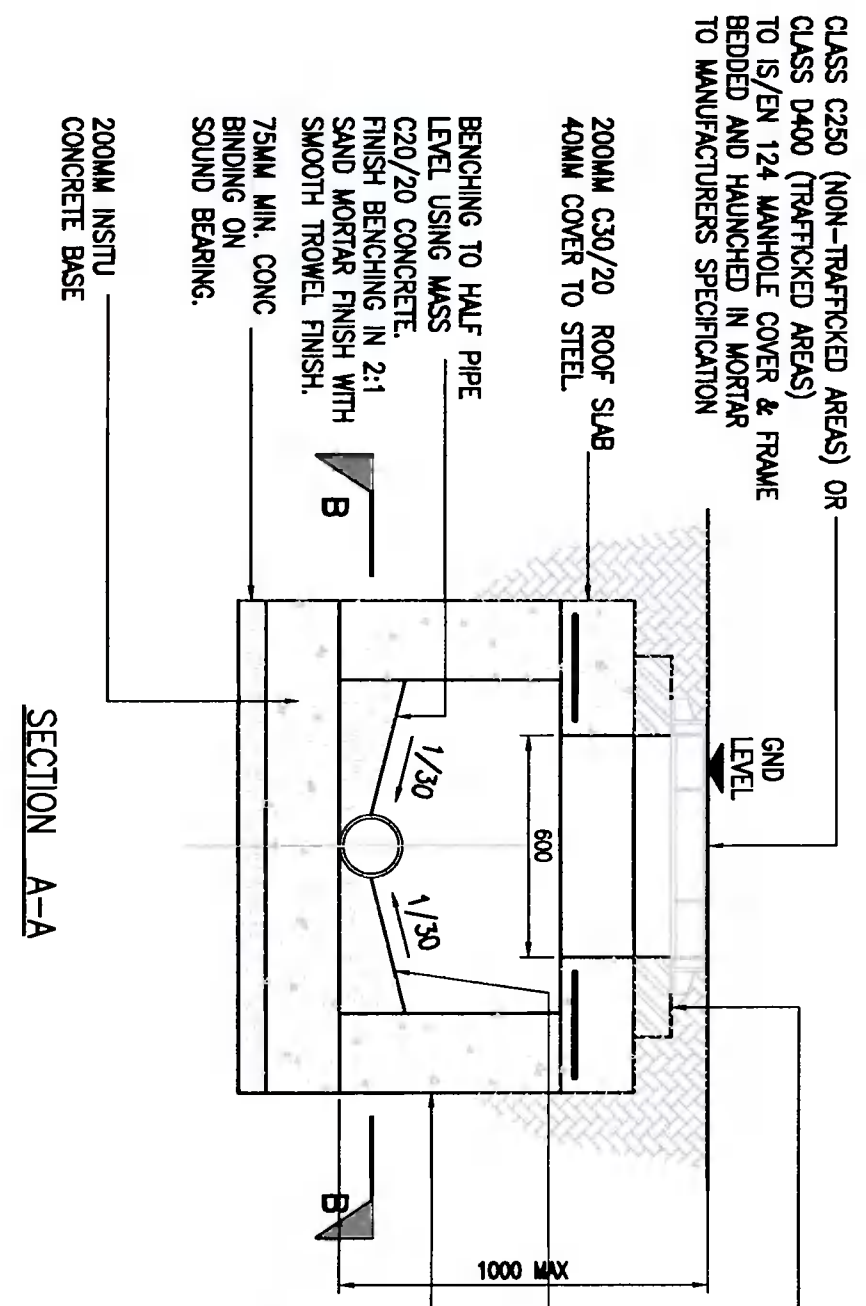
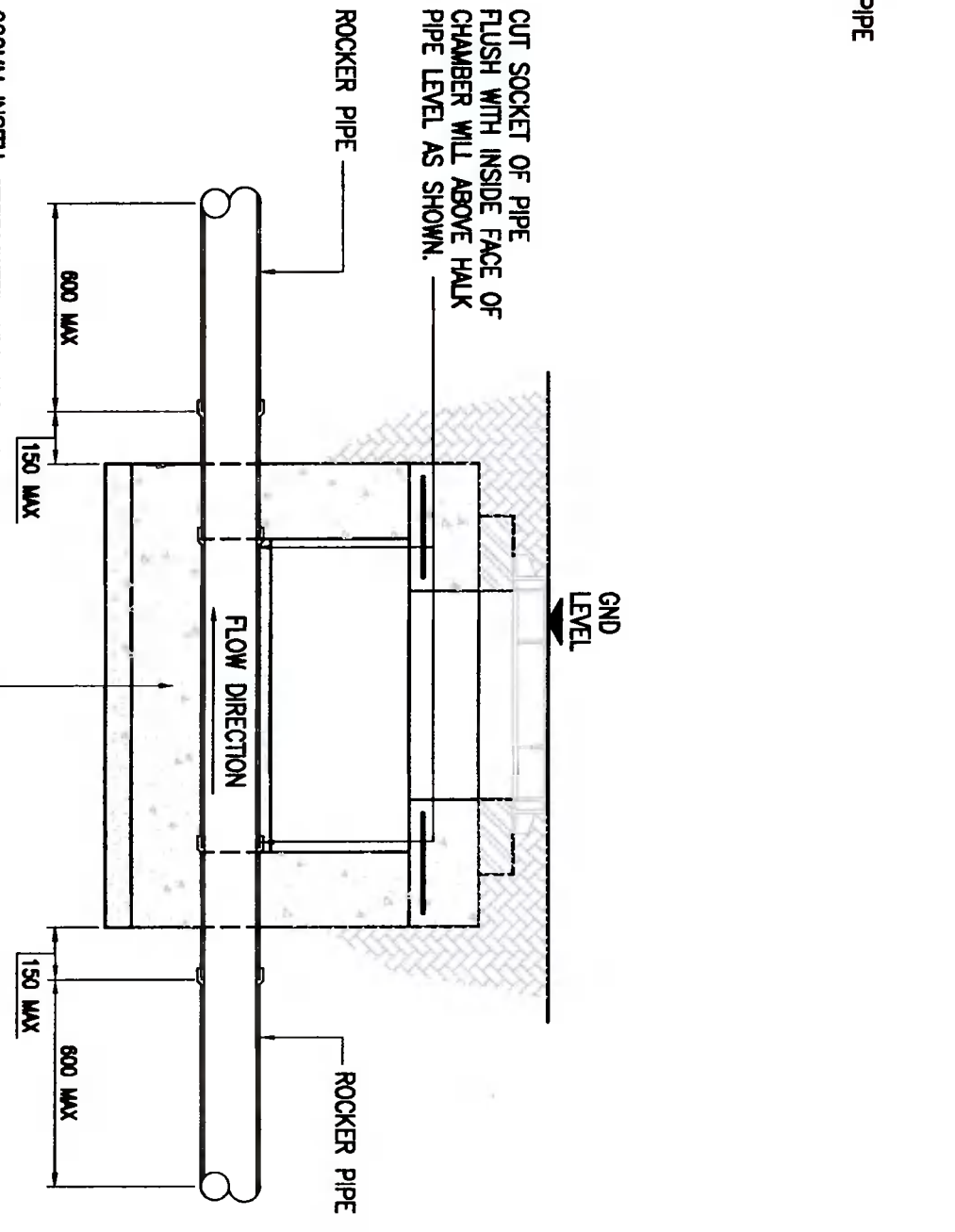
Sheet Title  
 Proposed Drainage Detail - Sheet 2

Sheet Scale 1:20 @ A3	Drawn By JH
Total Sheets 1	Reviewed By JH

Sheet No.  
 Project ID - Drawing Name - Drawing Number  
**2126 AG-101**  
 Drawing Status  
 PLANNING



**MANHOLE TYPE 1**  
 DEPTH LESS THAN 1.0m  
 (SCALE 1:20)



CLASS C250 (NON-TRAFFICKED AREAS) OR CLASS D400 (TRAFFICKED AREAS) TO IS/EN 124 MANHOLE COVER & FRAME BEDDED AND HAUNCHED IN MORTAR TO MANUFACTURERS SPECIFICATION

200MM C30/20 ROOF SLAB  
 40MM COVER TO STEEL.

BENCHING TO HALF PIPE LEVEL USING MASS C20/20 CONCRETE. FINISH BENCHING IN 2:1 SAND MORTAR FINISH WITH SMOOTH TROWEL FINISH.

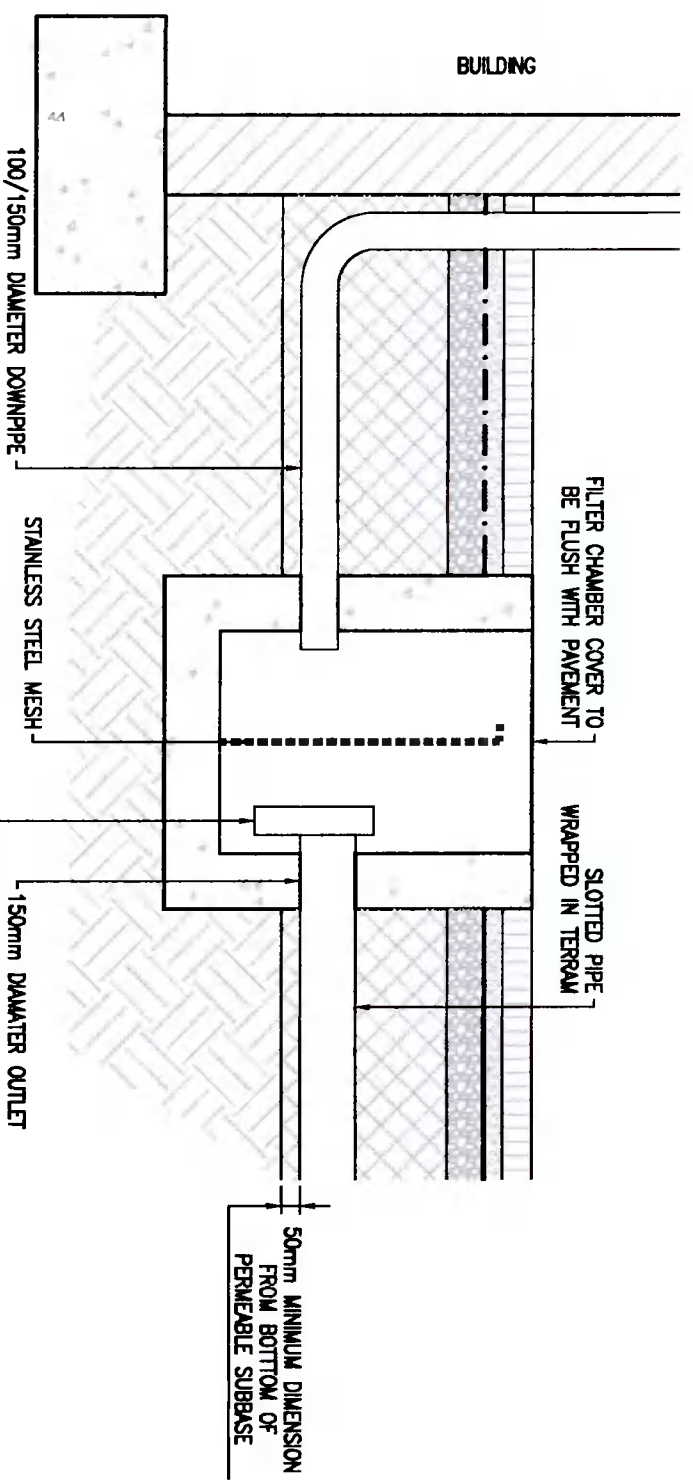
75MM MIN. CONC BINDING ON SOUND BEARING.

200MM INSTU CONCRETE BASE

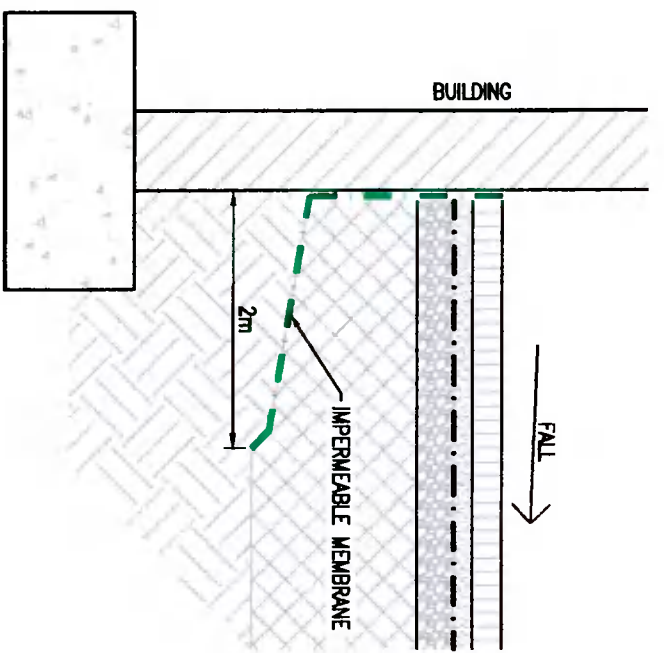
1 TO 3 COURSES OF ENGINEERING BRICK LAID ON FLAT & SET IN 1:3 CEMENT SAND MORTAR.

215 C30/20 INSTU CONCRETE WALLS OR HIGH DENSITY BLOCKS TO CL.S10, FACED WITH SOLID ENGINEERING BRICK IN ENGLISH BOND, HORIZONTAL & VERTICAL JOINTS FILLED AND FLUSH POINTED BEFORE MORTAR FOR NEXT COURSE IS SPREAD. BRICKWORK TO BE BEDDED & POINTED USING MORTAR DESIGNATION 3 TO IS406.

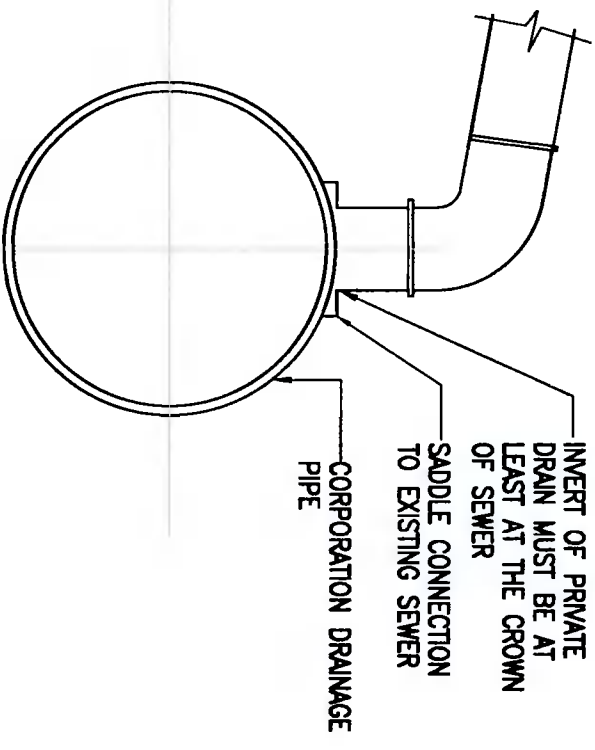
FINISH BENCHING IN 2:1 SAND MORTAR FINISH WITH SMOOTH TROWEL FINISH.



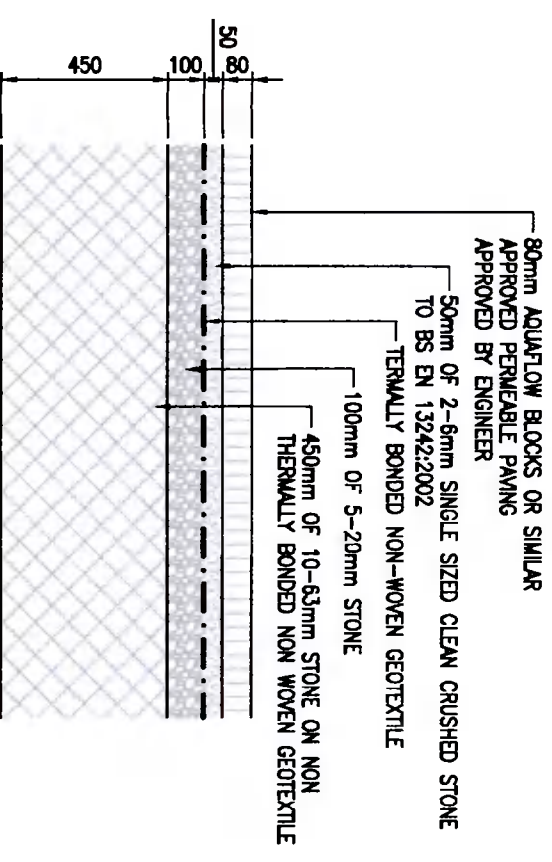
**TYPICAL FILTER DETAIL**  
(SCALE 1:20)



**ABUTMENT TO BUILDING**  
(SCALE 1:20)



**DETAIL FOR CONNECTION INTO CORPORATION DRAINAGE**  
(SCALE 1:20)



**TYPICAL PERMEABLE PAVING DETAIL**  
(SCALE 1:20)

Date	No	Revision Notes

**hoganarchitects**

Design Firm  
Hogan Architects  
9 Millmount Avenue,  
Drumcondra,  
Dublin,  
D09K303

www.hoganarchitects.com  
james@hoganarchitects.com  
085 704 1829

Project Title  
3 Bed House - David Souhan  
36 Montpellier View, Jobstown

Sheet Title  
Proposed Drainage Detail - Sheet 3

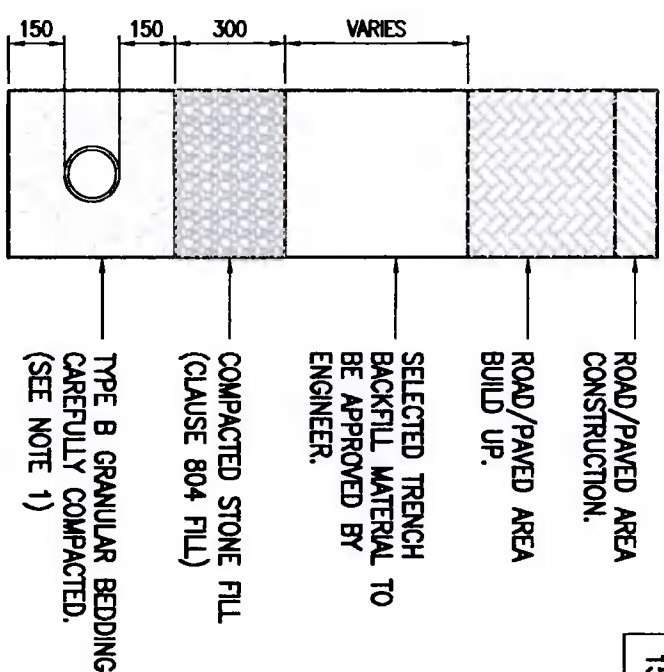
Sheet Scale	Drawn By
1:20 @ A3	JH
Total Sheets	Reviewed By
1	JH

Sheet No.  
Project ID - Drawing Sheet - Drawing Number  
**2126 A6-102**

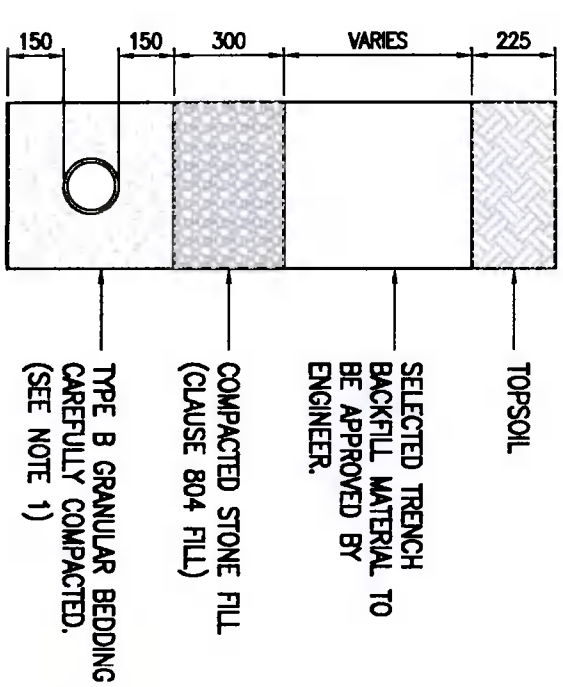
Drawing Status  
PLANNING

**NOTE:-**

- 1) GRANULAR BEDDING TYPE B SHALL CONSIST OF GRAVEL GRADED FROM 9.5mm TO 4.75mm OTHER GRANULAR MATERIALS TO BE USED SUBJECT TO APPROVAL.
- 2) ALL PIPES UNDER FOUNDATIONS & FLOORS SHALL BE HAUNCHED IN 150mm CLASS 15/20 CONCRETE.



**GRANULAR BEDDING**  
FOR PIPES UNDER ROADS/PAVED AREAS



**GRANULAR BEDDING**  
FOR PIPES UNDER GRASSED AREAS

**TYPICAL FOUL SEWER & SURFACE WATER PIPE BEDDING DETAILS**

(SCALE 1:20)

**hoganarchitects**

Design Firm  
Hogan Architects  
9 Millmount Avenue,  
Drumcondra,  
Dublin,  
D09K303  
[www.hoganarchitects.com](http://www.hoganarchitects.com)  
[james@hoganarchitects.com](mailto:james@hoganarchitects.com)  
085 704 1829

Project Title  
3 Bed House - David Souhan  
36 Montpellier View, Jobstown

Sheet Title  
Proposed Drainage Detail - Sheet 4

Sheet Scale 1:20 @ A3	Drawn By JH
Total Sheets 1	Reviewed By JH

Sheet No.  
Project ID - Drawing Name - Drawing Number

**2126 A6-103**

Drawing Status  
PLANNING