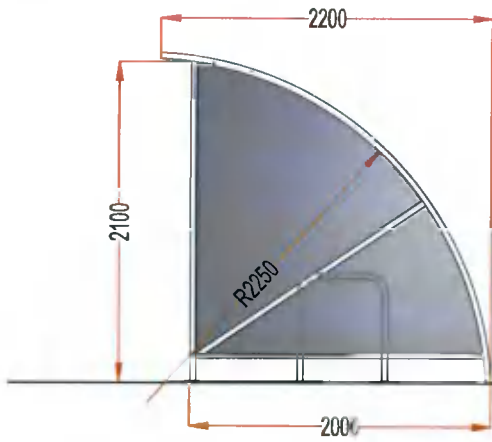


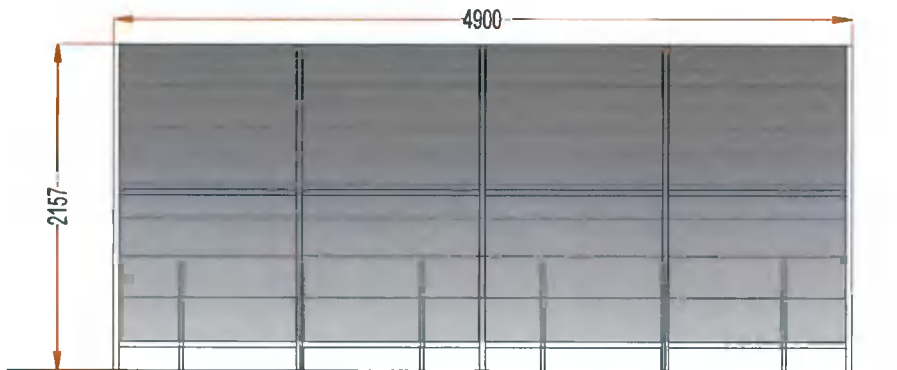
A4



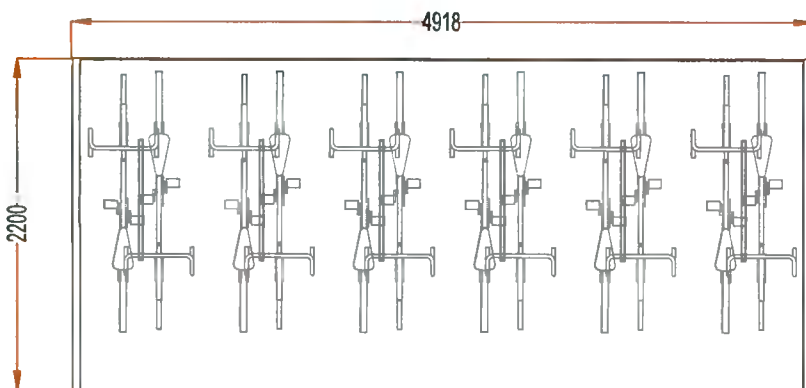
SIDE ELEVATION



INTERNAL ELEVATION



EXTERNAL ELEVATION



FLOOR PLAN

Job Title
**WAREHOUSE DEVELOPMENT AT SITE R,
 JORDANSTOWN ROAD, AERODROME
 BUSINESS PARK, RATHCOOLE. Co. DUBLIN**

Drawing Title
COVERED BIKE PARK

Drawn	TK
Checked	PK
Approved	PK
Scales	1:50 @A4
Date	OCTOBER 2021

KAVANAGH BURKE
 CONSULTING ENGINEERS

Tel. 01 - 450 0694 Unit F3, Calmount Park,
 Fax. 01 - 426 4340 Ballymount,
 Email pkavanagh@kavanaghburke.ie Dublin 12

Architect/Client
EXETER IRELAND PROPERTY IV C LIMITED

Drawing Status
PLANNING AI

Job No.
D1693

Drawing No.
GA-A10

Rev.
PL1