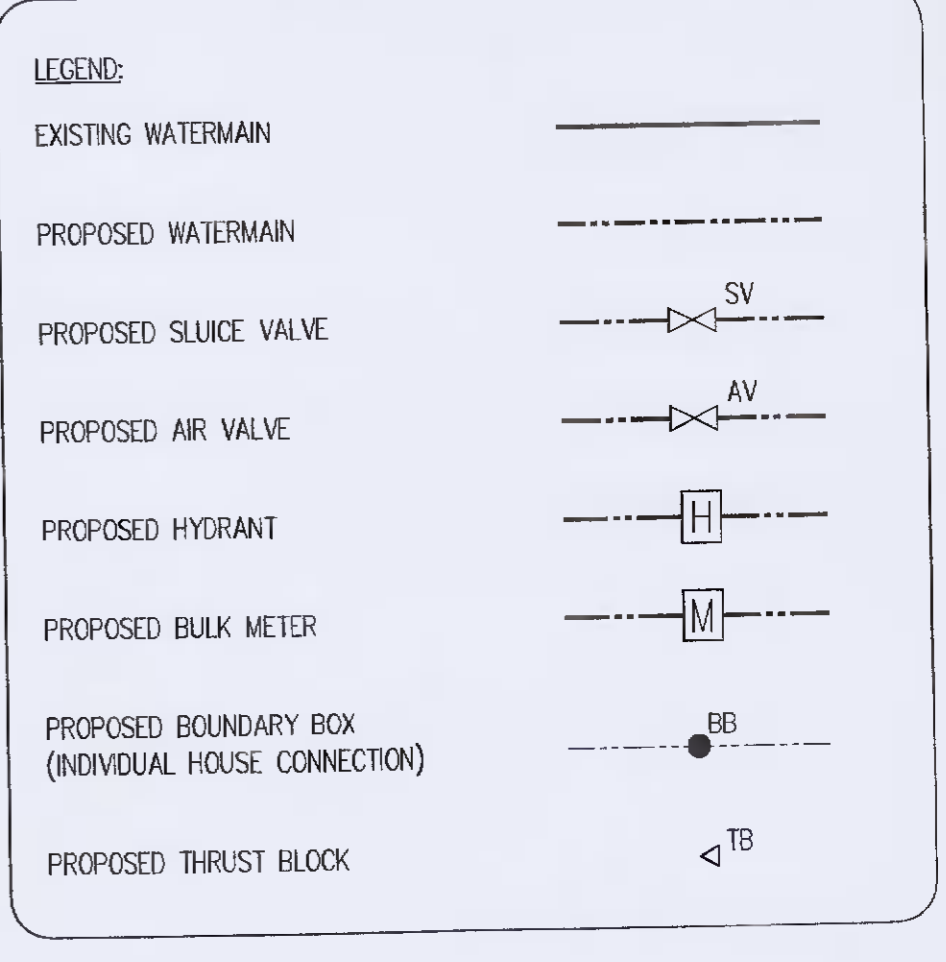




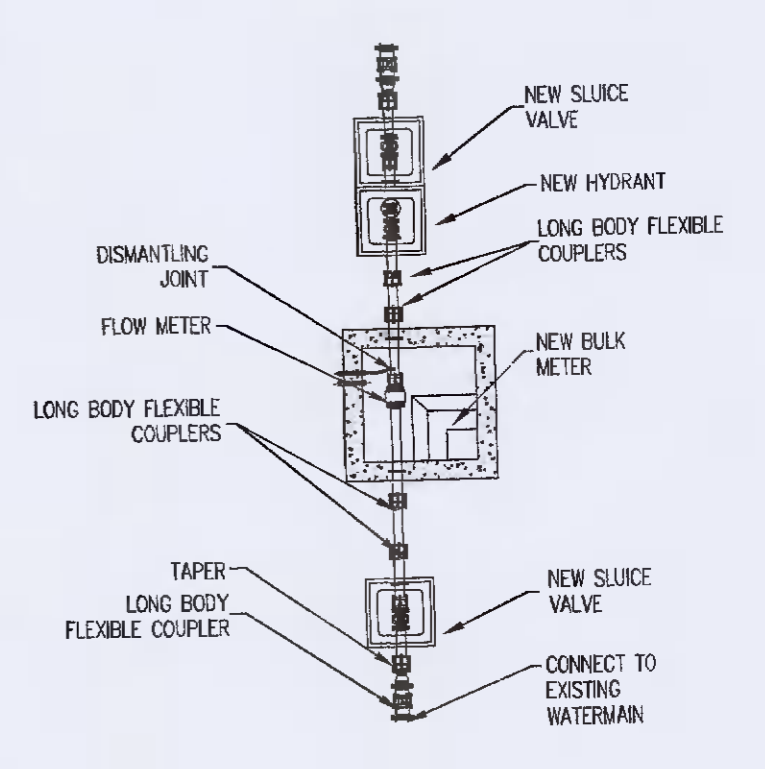
**WATERMAIN LEGEND**



**NOTE:**

1. ALL PIPE WORK, VALVES, CHAMBERS, NETWORK ARRANGEMENTS AND ALL ASSOCIATED WATERMAIN WORKS TO COMPLY WITH THE IRISH WATER INFRASTRUCTURE STANDARD DETAILS.
2. ALL NEW WATERMAIN MATERIAL SHALL BE IN ACCORDANCE WITH SECTION 3.9 OF THE IRISH WATER CODE OF PRACTICE. MDPE PIPES SHALL BE OF A TYPE PE-80 AND HAVE AN SDR-11 RATING. THEY SHALL CONFORM TO IS EN 12201: PART 1, PART 2 AND PART 3.
3. THE PROPOSED 150mm WATERMANS WILL BE LOCATED A MINIMUM OF 300mm FROM THE WASTEWATER INFRASTRUCTURE IN ACCORDANCE WITH SECTION 3.5.18 OF THE IRISH WATER WASTEWATER CODE OF PRACTICE AND TYPICAL SERVICE LAYOUT DISTANCES (HORIZONTAL AND VERTICAL) SHALL BE AS PER IRISH WATER STANDARD DETAIL STD-W-11.
4. AIR PRESSURE TESTS TO ALL WORKS TO BE TAKEN IN CHARGE TO IRISH WATER CODE OF PRACTICE SECTION 4.10.
5. MANIFOLD CHAMBERS WILL BE USED TO PROVIDE A COMMUNAL BOX FOR THE APARTMENT BLOCKS AND THAT EACH DWELLING UNIT WILL HAVE ITS OWN SUPPLY PIPE AND METER AND STOP VALVE. ALL METERS IN THE MANIFOLD SHALL BE TAGGED TO INDICATE WHICH PROPERTY IS SUPPLIED AND ANY UNUSED OUTLETS WILL BE BLANKED OFF IN ACCORDANCE WITH SECTION 3.15.3 OF THE IRISH WATER WASTEWATER CODE OF PRACTICE. EACH BUSINESS/PREMISE SHALL HAVE AN INDIVIDUAL METERED CONNECTION.
6. BULK METERS SHALL COMPLY WITH SECTION 3.15.4 OF THE IRISH WATER CODE OF PRACTICE FOR WATER INFRASTRUCTURE.
7. WATERMAIN T-JUNCTIONS SHALL BE AT 90 DEGREE ANGLES AS PER IRISH WATER DETAIL STD-W-07.
8. THRUST BLOCKS TO BE PROVIDED AT DEAD ENDS, BENDS, TEE JUNCTIONS, VALVE CHAMBERS (AS PER DETAILS) OR ANY ABRUPT CHANGE IN VERTICAL OR HORIZONTAL DIRECTION AND AT ANY LOCATION WHERE WATER PRESSURE IS LIKELY TO DISTORT THE PIPE LINE INSTALLATION OR CAUSE DISPROPORTIONATE MOVEMENT. THRUST BLOCKS TO BE IN ACCORDANCE WITH SECTION 4.9 OF THE IRISH WATER CODE OF PRACTICE AND IRISH WATER STANDARD DETAIL STD-W-28.
9. ANY NEW PLANTING OF TREES, SHRUBS ETC. TO BE IN STRICT ACCORDANCE WITH THE IRISH WATER STANDARD DETAIL STD-W-12A. ANY PROPOSED WATERMAIN LOCATED IN PROXIMITY TO EXISTING TREES SHALL BE IN ACCORDANCE WITH STANDARD IRISH WATER DETAIL STD-W-12.
10. NOTE: THE FIRE SAFETY CERTIFICATE HAS NOT BEEN COMPLETED YET, BUT AS PART OF THIS DEVELOPMENT, IT IS CONFIRMED THAT HYDRANTS SHALL NOT BE LOCATED ANY MORE THAN 46m FROM ANY PART OF THE DEVELOPMENT UNITS.

REFER TO IRISH WATERS CODE OF PRACTICE FOR WASTEWATER INFRASTRUCTURE



**WATER METER ARRANGEMENT**  
SCALE 1:100

**NOTE:**  
ALL WORKS TO IRISH WATER REQUIREMENTS. REFER TO IRISH WATER STANDARD DETAILS, THE IRISH WATER CODE OF PRACTICE FOR WATER INFRASTRUCTURE FOR DETAILS.

**PLANNING DRAWING.**  
NOT FOR CONSTRUCTION.  
ALL LEVELS GIVEN ARE RELATIVE TO ORDNANCE DATUM.  
THIS DRAWING HAS BEEN ISSUED FOR INFORMATION PURPOSES ONLY AND MUST NOT BE USED FOR CONSTRUCTION UNDER ANY CIRCUMSTANCES

- NOTES**
1. For setting out refer to Architect's drawings.
  2. This drawing to be read in conjunction with all other Architectural and Engineering drawings and all other relevant drawings and Specifications.
  3. DO NOT SCALE THIS DRAWING. Use figured dimensions only.
  4. No part of this document may be reproduced or transmitted in any form or stored in any retrieval system of any nature without the written permission as copyright holder except as agreed for use on the project for which the document was originally issued.
  5. Ordnance Survey Ireland Licence Number EN 0074021

Rev. No.	Date	REVISION NOTE	Drn. By	Chkd. By

Client: **Quintain Developments Ireland Ltd**  
Project: **Adamstown - Block G**  
Title: **Proposed Water Network**

Drn by: **RFM** | Chkd by: **RFM** | App'd by: **MMCE**  
Date: **Feb 2021** | Scale: **1:250 @ A1** | Dwg. No.: **D100/203** | Revision:

**CS Consulting Group**  
DUBLIN | LONDON | LIMERICK

Head Office:  
16-22 Dame Street, Dublin 2.  
T: +353 (0)1 5480863  
e: info@csconsulting.ie  
w: www.csconsulting.ie

Quality: IS EN ISO 9001:2008  
Environment: IS EN ISO 14001:2004  
Energy: IS EN ISO 50001:2011  
Health & Safety: OHSAS 18001:2007