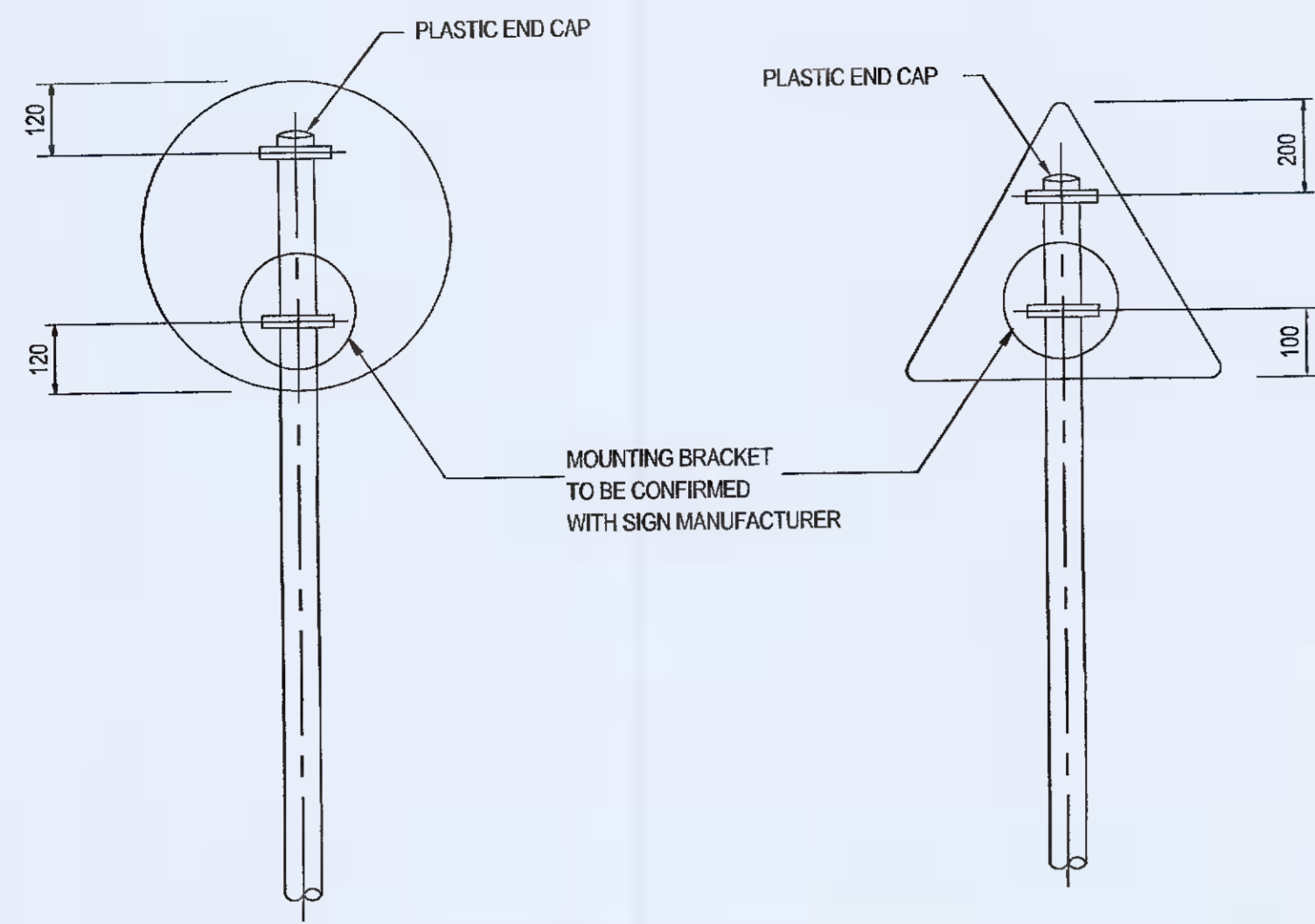
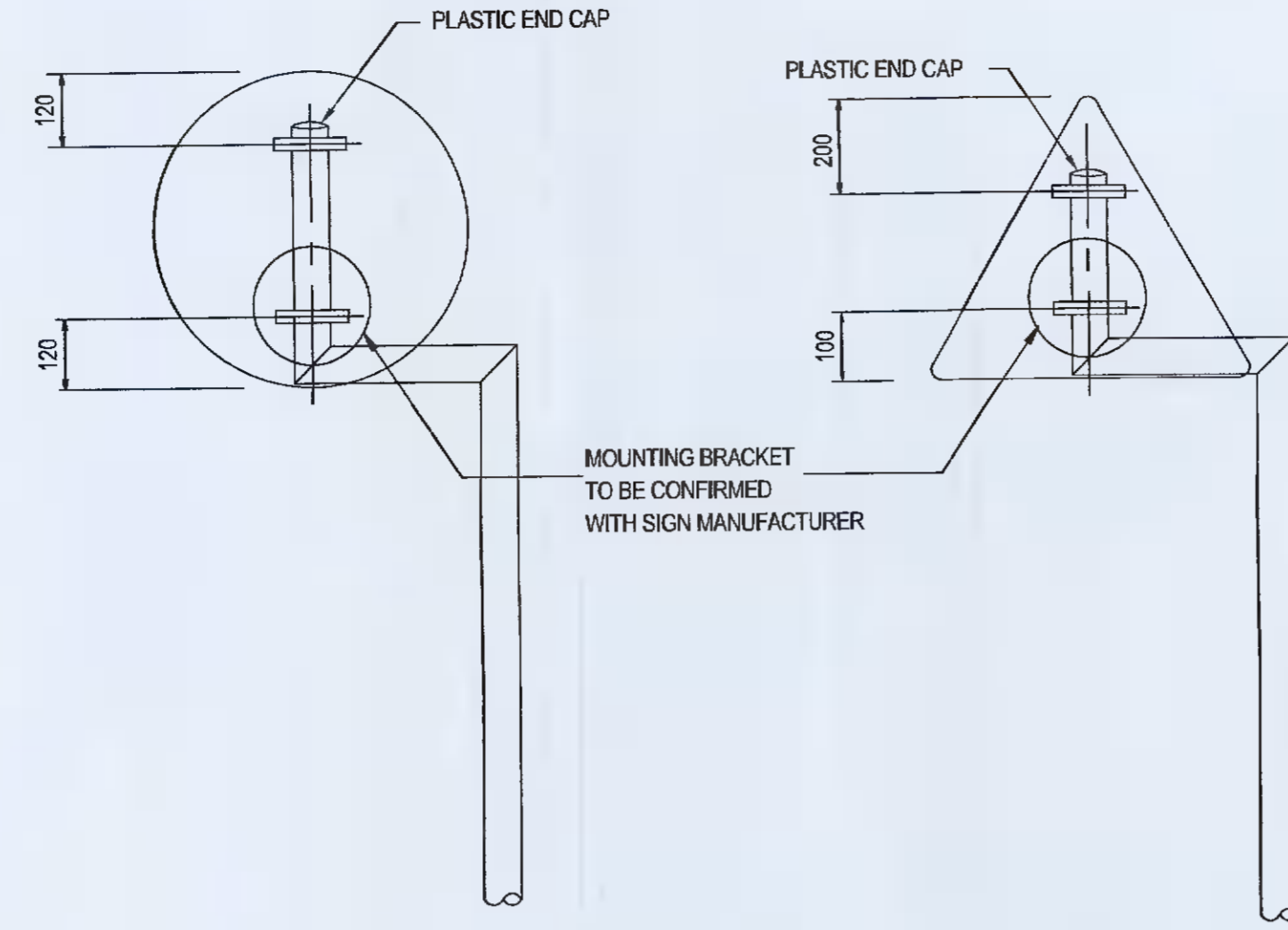


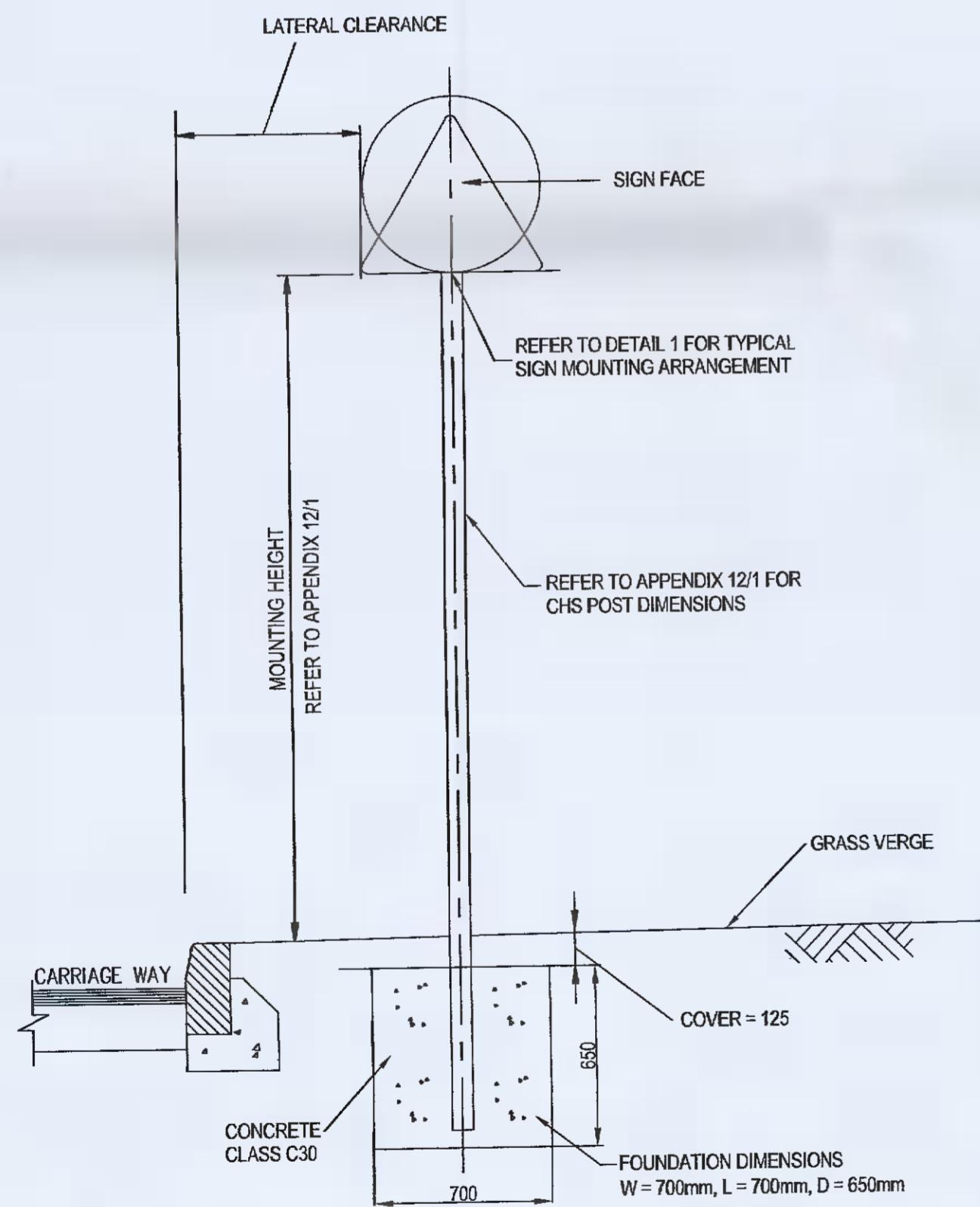
- GENERAL NOTES:**
1. ALL DIMENSIONS ARE IN MILLIMETRES UNLESS NOTED OTHERWISE
 2. ONLY WRITTEN DIMENSIONS SHALL BE USED. NO DIMENSIONS SHALL BE SCALED FROM THE DRAWINGS
 3. PROVISION OF TRAFFIC SIGNS TO BE IN ACCORDANCE WITH THE REQUIREMENTS OF DTTAS TRAFFIC SIGNS MANUAL 2019
 4. FOR SIGN LOCATIONS REFER TO JUNCTION LAYOUT DRAWINGS.



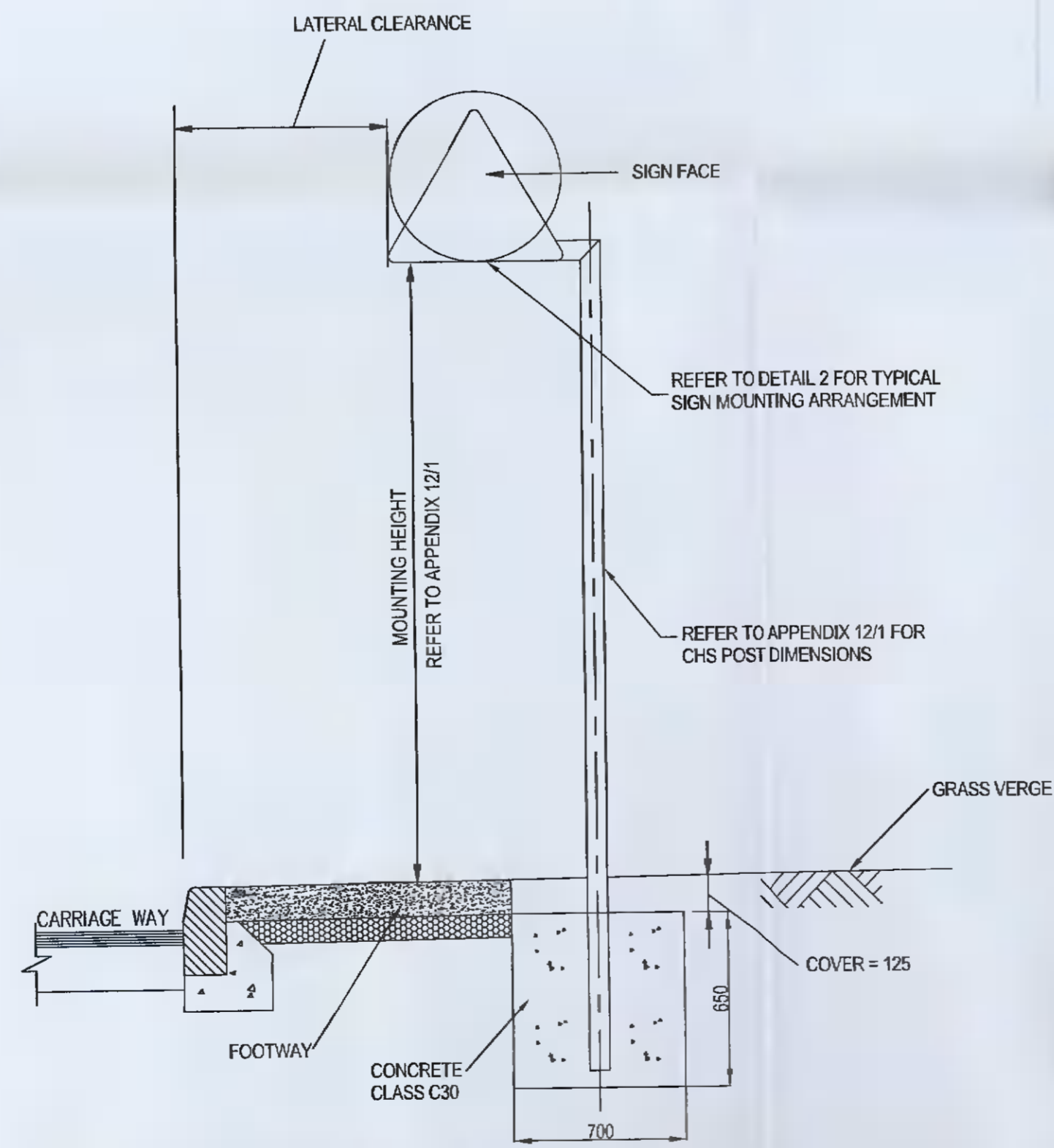
1 TYPICAL DETAIL FOR SIGN MOUNTING



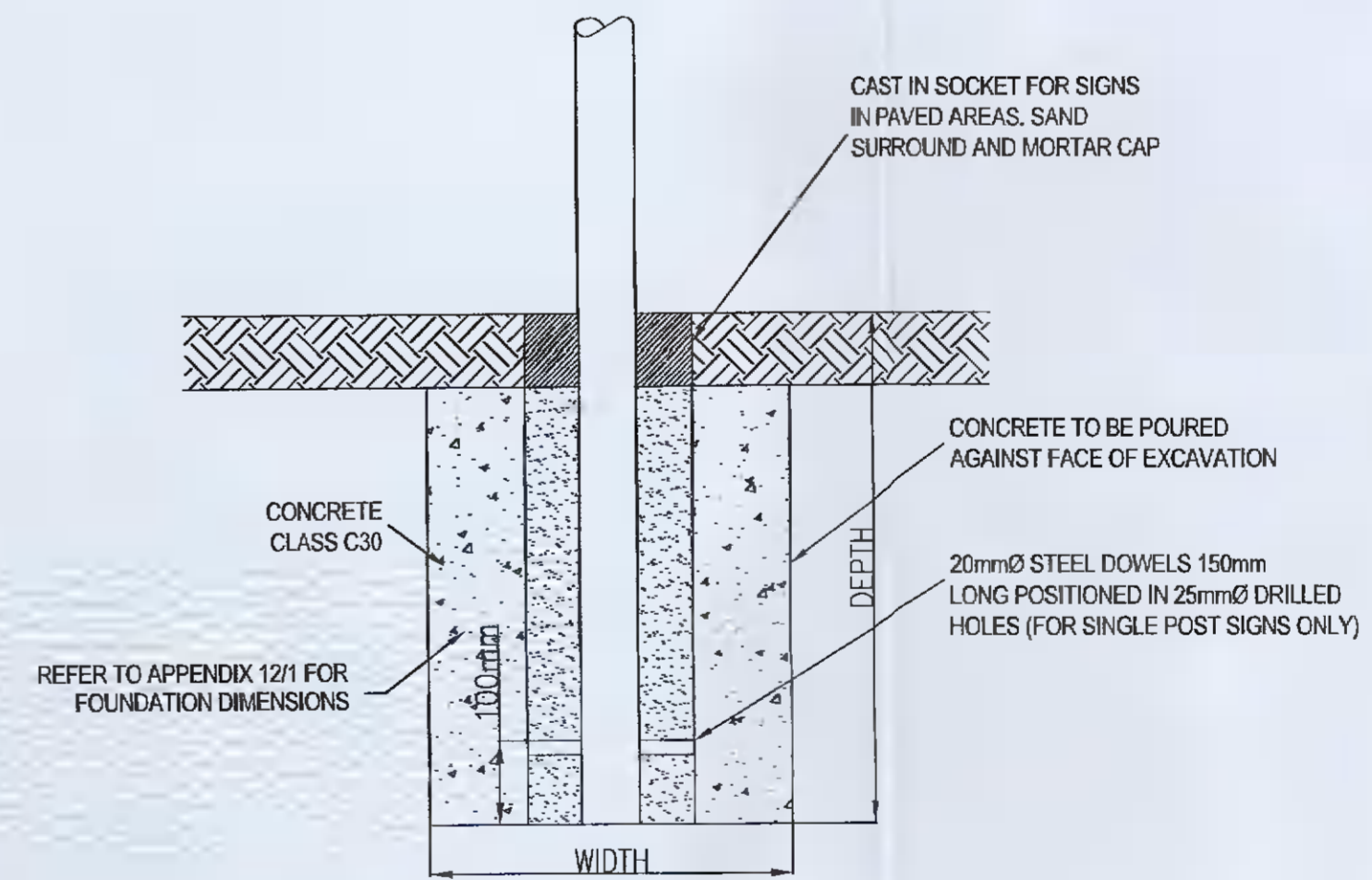
2 TYPICAL DETAIL FOR SIGN MOUNTING
CANTILEVERED SIGN POST



3 TYPICAL WARNING / REGULATORY SIGN POST ARRANGEMENT



4 TYPICAL WARNING / REGULATORY SIGN POST ARRANGEMENT
CANTILEVERED SIGN POST



5 TYPICAL FOUNDATION DETAIL FOR SIGN POSTS
IN PAVED AREAS

© ORDNANCE SURVEY IRELAND LICENSE No. AR 0062621.
ORDNANCE SURVEY IRELAND & GOVERNMENT OF IRELAND

Rev	Description	Br	Date	Chk'd	Auth
B	FOR PLANNING	YC	04.10.21	PF	KB
A	FOR PLANNING	AK	24.02.21	JW	KB
-	FOR INFORMATION	AK	08.02.21	JW	KB

Atkins House, 150-155 Airside
Business Park, Swords, Co. Dublin
Tel (+353) 01 810 8000
Fax (+353) 01 810 8001

ATKINS
Member of the SNC-Lavalin Group

Unit 2B, 2200 Cork Airport
Business Park, Cork
Tel (+353) 021 429 0300
Fax (+353) 021 429 0360

1st Floor Technology House
Parkmore Technology Park, Galway
Tel (+353) 091 796 050
Fax (+353) 091 779 830

Client	QUINTAIN DEVELOPMENTS IRELAND LTD		
Project	ADAMSTOWN DISTRICT CENTRE PHASE 2 - BLOCK G AMENDMENT		

Purpose	PLANNING		
Title	TRAFFIC SIGNS TYPICAL DETAILS		
Original Scale	N.T.S.	Design/Drawn	Checked
		AK	JW
Date	08.02.21	Date	08.02.21
Authorised	KB	Date	08.02.21
Skus	Drawing Number	Rev	
P	5150924 / HTR / 07 / DR / 0110	B	