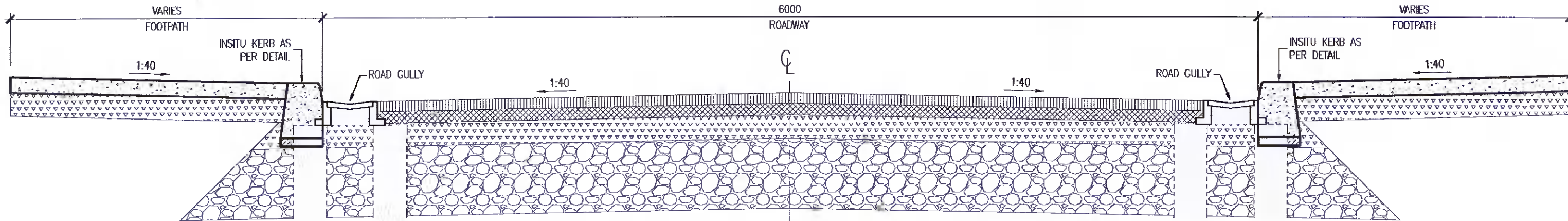


**CONCRETE FOOTPATH**

100mm CONCRETE PAVEMENT C40 AIR ENTRAINED OR C50 NO AIR ENTRAINED (EXPOSURE CLASS XF4) TO NRA CL 1106 ON 150mm UNBOUND GRANULAR SUB-BASE TYPE B TO CLAUSE B04 AND CLAUSE B08 NOTE 1 (MIN CUR 30%) ON JOINTS TO BE FORMED WITH TWO LAYERS OF BITUMINOUS FELT FOR FULL SLAB DEPTH AT 3m CENTRES (JOINTS TO COINCIDE WITH JOINTS IN THE KERB AND POSITIONED AT CORNERS ETC LABEL TO CRACKING). FINISH BY FLOATING WITH WOODEN TROWEL WHILE STILL GREEN THEN LIGHTLY BRUSHED WITH A BASS BROOM TO PRODUCE SLIGHT ROUGHNESS.

**ROAD CONSTRUCTION**

65mm OF DENSE ASPHALT CONCRETE SURFACE COURSE: AC 6 DENSE SURF 70/100 REQ TO CLAUSE 909 (NRA) ON 75mm OF DENSE BITUMEN MACADAM BINDER COURSE: AC 20 DENSE EBN 40/60 (20mm AGGREGATE) TO CLAUSE 906 ON 150mm OF GRANULAR SUB-BASE TO CLAUSE B04 (TYPE B) WITH BUNDED SURFACE ON 450mm CLASS B2 CAPPING STONE



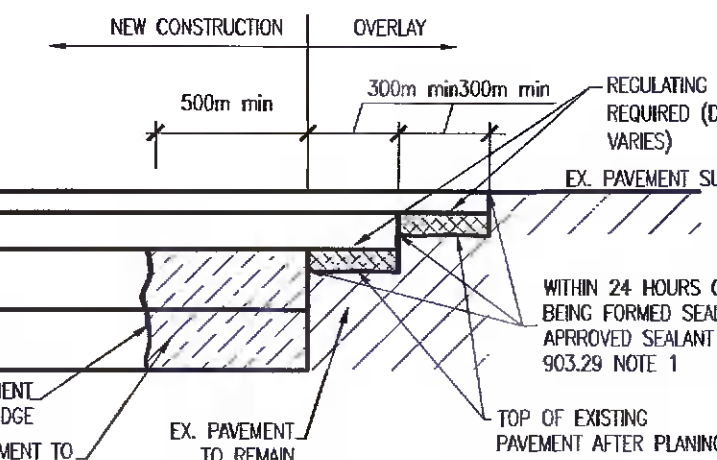
**TYPICAL SECTION THROUGH ACCESS ROAD/RAMP**  
SCALE 1:25

NOTES:  
1. EDGES OF EXISTING CARRIAGEWAY TO BE CUT BACK BY 0.5m WITH A ROTARY SAW TO FORM A VERTICAL FACE AND PRIMED IN ACCORDANCE WITH CLAUSE 920 (NOTE 1).

2. WHERE THE BASE COURSE IS TO BE LAID IN TWO LAYERS, THE UPPER LAYER OF BASE COURSE SHOULD BE STEPPED INTO THE EXISTING PAVEMENT BY 1.0m MIN WITH THE BINDER COURSE AND SURFACE COURSE TO BE EACH STEPPED IN A FURTHER 1.0m MIN RESPECTIVELY.

NOTES:  
1. EDGES OF EXISTING CARRIAGEWAY TO BE CUT BACK BY 0.5m WITH A ROTARY SAW TO FORM A VERTICAL FACE AND PRIMED IN ACCORDANCE WITH CLAUSE 920 (NOTE 1).

2. WHERE THE BASE COURSE IS TO BE LAID IN TWO LAYERS, THE UPPER LAYER OF BASE COURSE SHOULD BE STEPPED INTO THE EXISTING PAVEMENT BY 0.5m MIN WITH THE BINDER COURSE AND SURFACE COURSE TO BE EACH STEPPED IN A FURTHER 0.5m MIN RESPECTIVELY.

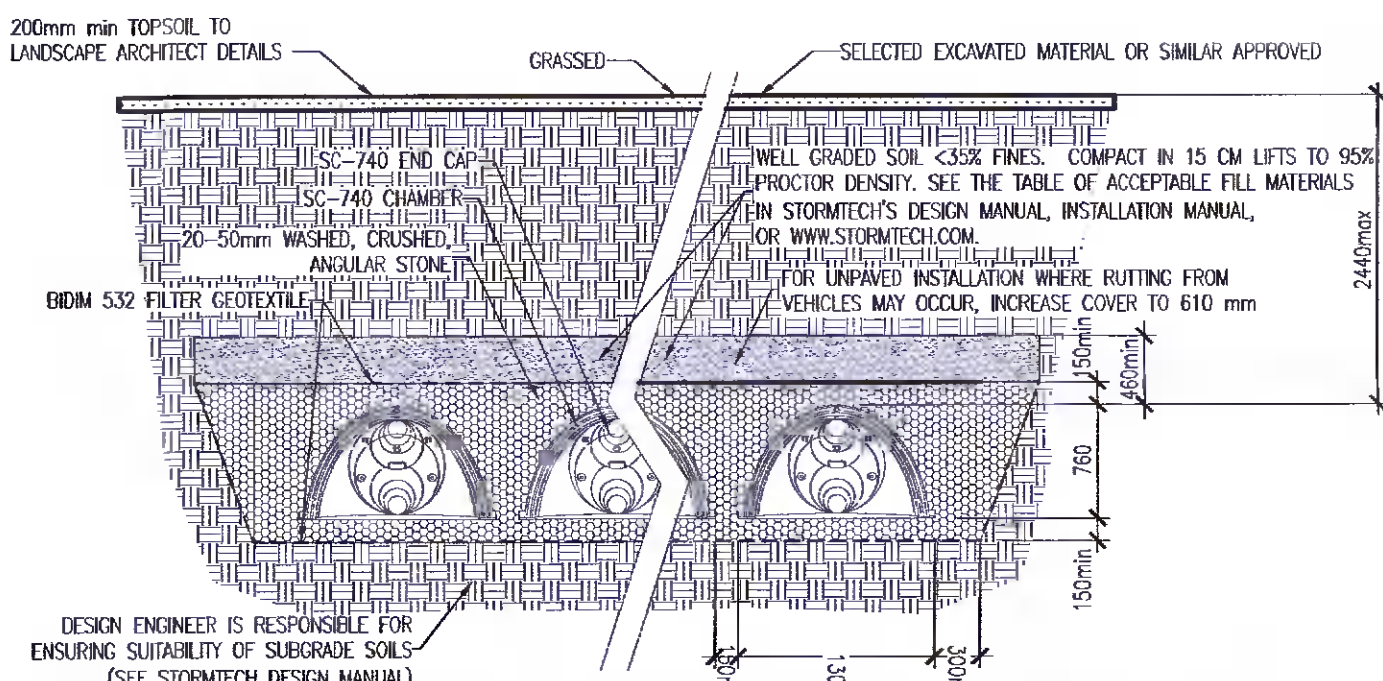


**LONGITUDINAL JOINT DETAIL**  
SCALE 1:25

NOTE:  
ALL FACES OF COLD LEASTANDING EDGES SHALL BE TREATED TO CLAUSE 903.26 NOTE 1

NOTE:  
ALL FACES OF COLD LEASTANDING EDGES SHALL BE TREATED TO CLAUSE 903.26 NOTE 1

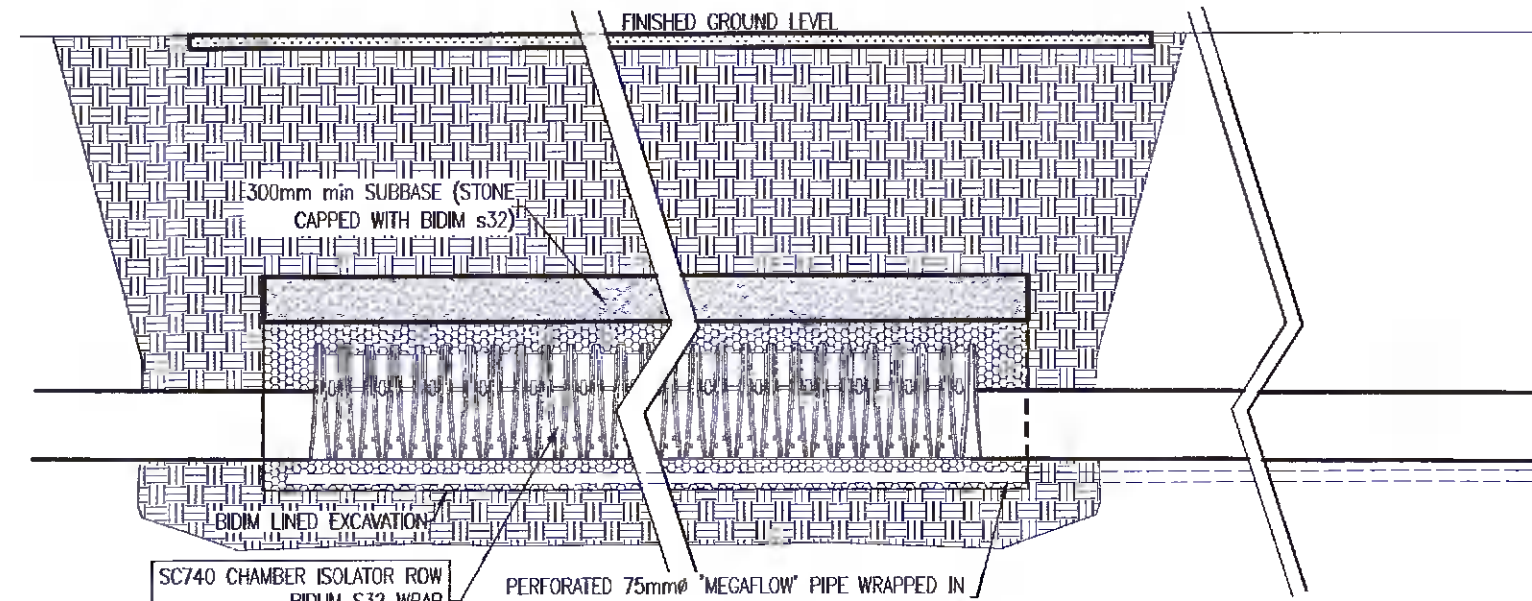
**TRANSVERSE JOINT**  
SCALE 1:25



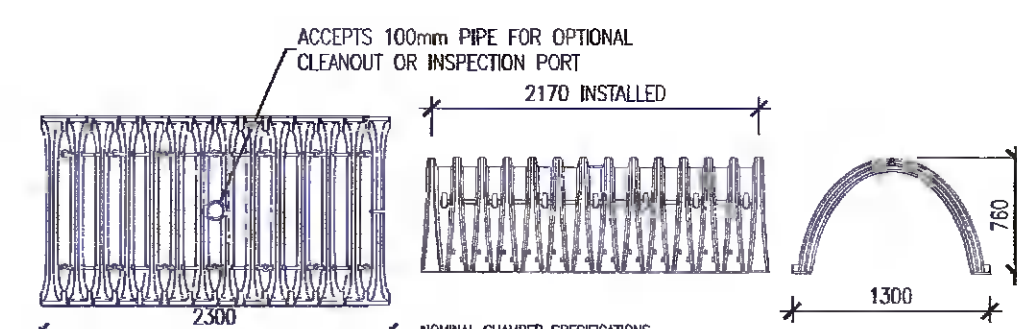
**TYPICAL CROSS SECTION THROUGH STORMTECH SC-740 CHAMBER SYSTEM**  
SCALE 1:50

**LIST OF IRISH WATER WASTEWATER STANDARD DETAILS BROUGHT INTO THE CONTRACT**

- STD-WW-02 TYPICAL LAYOUT FOR SEWER WITHIN NEW DEVELOPMENT
- STD-WW-03 DRAIN AND SERVICE CONNECTION PIPEWORK
- STD-WW-04 TYPICAL SERVICE PIPE CONNECTION
- STD-WW-05 TYPICAL SERVICE LAYOUT INDICATING SEPARATION DISTANCES
- STD-WW-06 RESTRICTIONS ON TRENCH/FAIRING PLANTING ADJACENT TO SEWERS
- STD-WW-07 FRENCH BACKFILL & BEDDING
- STD-WW-08 CONCRETE BED, MANHOLE & SURROUNDING TO WASTEWATER PIPES
- STD-WW-09 BLOCKWORK MANHOLE (C40/50)
- STD-WW-10 PRE-CAST CONCRETE MANHOLE
- STD-WW-11 IN-SITU CONCRETE MANHOLE
- STD-WW-12 BLOCKWORK MANHOLE
- STD-WW-13 PRIVATE SIZE REDUCTION CHAMBER
- STD-WW-14 BRISTLE BLOCKS FOR RISING MAINS
- STD-WW-15 SOURCE VALVE CHAMBER (EOL RISING MAIN <200mm)
- STD-WW-16 SOURCE VALVE DETAILS FOR RISING MAINS DUCTILE IRON (D.I) PIPE (C200mm) SHEET 1 OF 2
- STD-WW-17 SOURCE VALVE DETAILS FOR RISING MAIN POLYETHYLENE (PE) PIPE (C200mm) SHEET 2 OF 2
- STD-WW-18 AIR VALVE CHAMBER (EOL RISING MAIN <200mm)
- STD-WW-19 DUCT CHAMBER
- STD-WW-20 EMERGENCY OVERTFLOW STRUCTURE
- STD-WW-21 TYPICAL DITCH/STREAM CROSSING FOR GRAVITY MAIN (SHEET 1 OF 2)
- STD-WW-22 TYPICAL DITCH/STREAM CROSSING FOR RISING MAIN (SHEET 2 OF 2)
- STD-WW-23 TYPICAL BRIDGE CROSSING FOR RISING MAIN (SHEET 1 OF 2)
- STD-WW-24 TYPICAL BRIDGE CROSSING FOR RISING MAIN (SHEET 2 OF 2)
- STD-WW-25 SECURITY GATE & FENCING
- STD-WW-26 INDICATIVE PUMPING STATION LAYOUT
- STD-WW-27 FLOW METER CHAMBER (EOL RISING MAIN <200mm)
- STD-WW-28 INDICATIVE SUBMERSIBLE PUMPING STATION
- STD-WW-29 RISING MAIN DISCHARGE MANHOLE
- STD-WW-30 RISER TYPE 1 PUMPING STATION & WET ROOM (SHEET 1 OF 2)
- STD-WW-31 RISER TYPE 2 + 3 PUMPING STATION & WET ROOM (SHEET 2 OF 2)
- STD-WW-32 MAINTAINING AREA PUMPING STATION (PERMEABLE & IMPERMEABLE)
- STD-WW-33 LAMP BOLLARD & LAMP STANDARDS
- STD-WW-34 VENT STACK

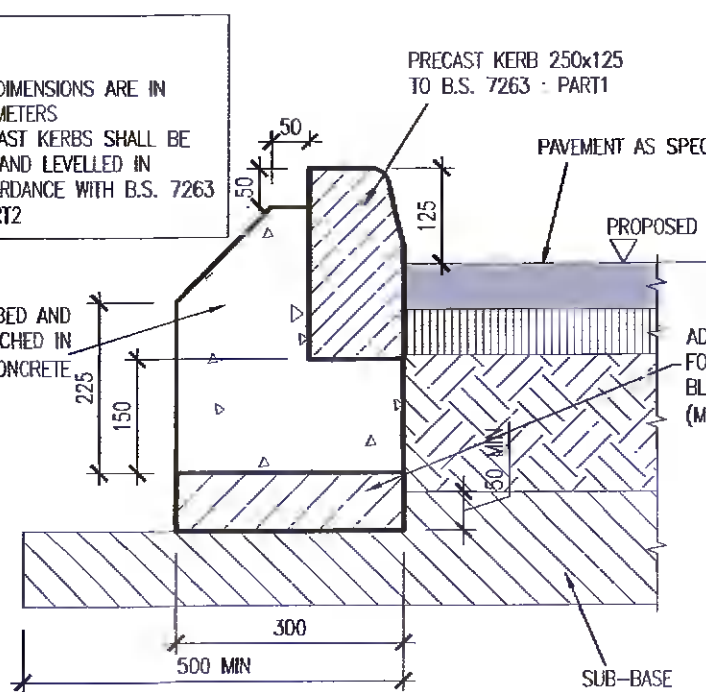


**SCHEMATIC STORMTECH SC-740 CHAMBER SYSTEM LONGITUDINAL SECTION**  
SCALE 1:50

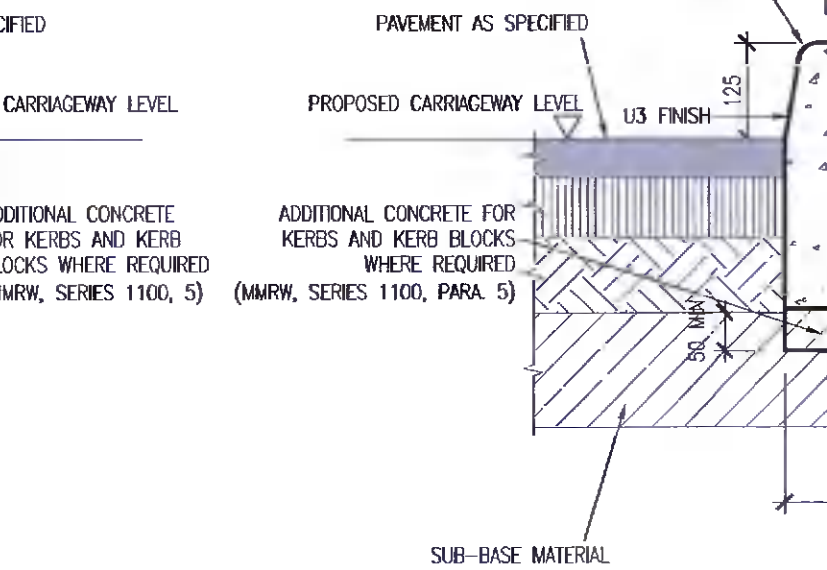


**PLAN ELEVATION SECTION**  
**STORMTECH SC-740 CHAMBER SYSTEM**  
SCALE 1:50

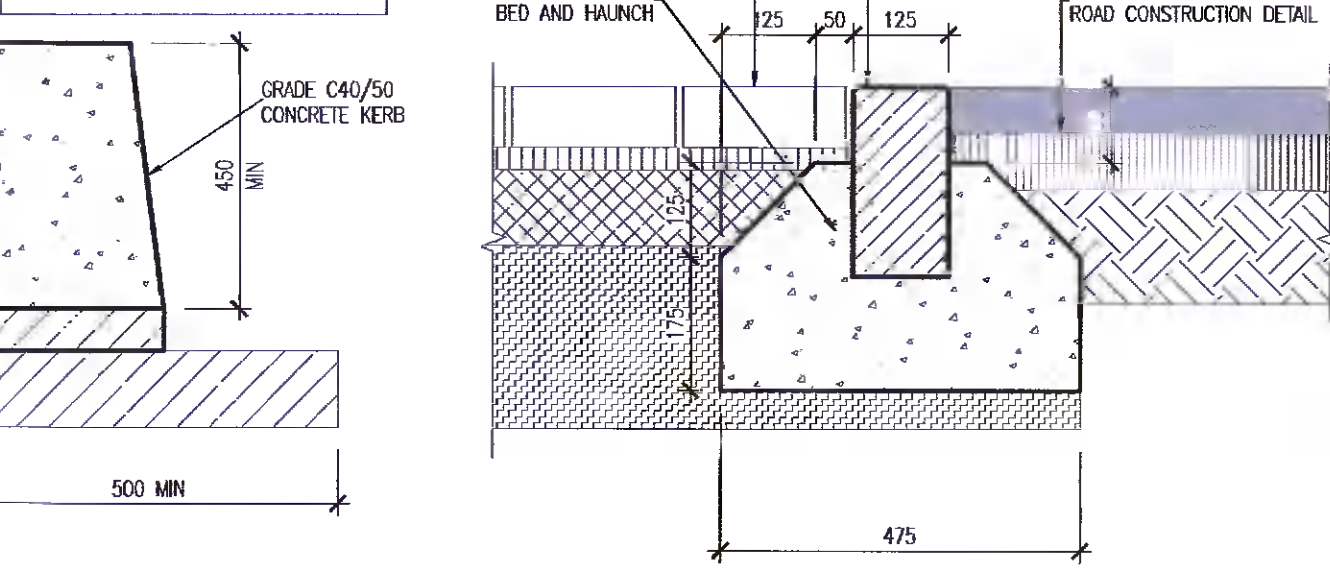
NOTES:  
1. IN SITU CONCRETE KERBS SHALL COMPLY WITH THE RECOMMENDATIONS OF BS 5931  
2. KERBS SHALL BE PROTECTED FROM THE EFFECTS OF ADVERSE WEATHER UNTIL CURED



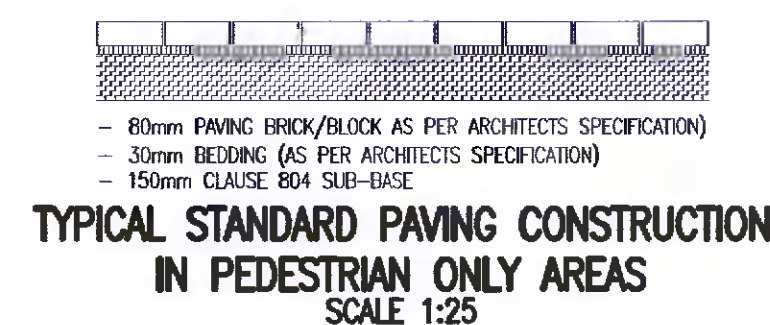
**PRECAST KERB DETAIL**  
SCALE 1:10



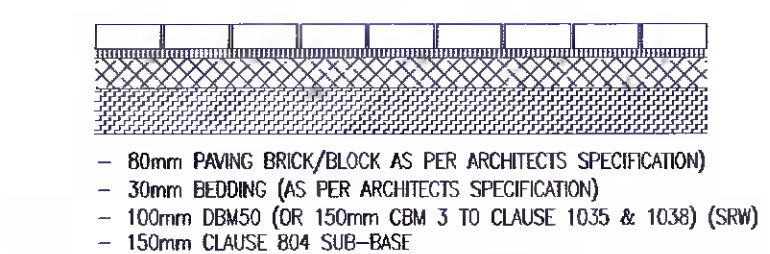
**INSITU CONCRETE KERB DETAIL**  
SCALE 1:10



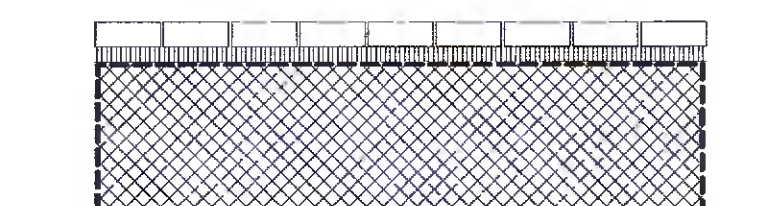
**EDGE KERB DETAIL (DBM TO PAVING BLOCK)**  
SCALE 1:10



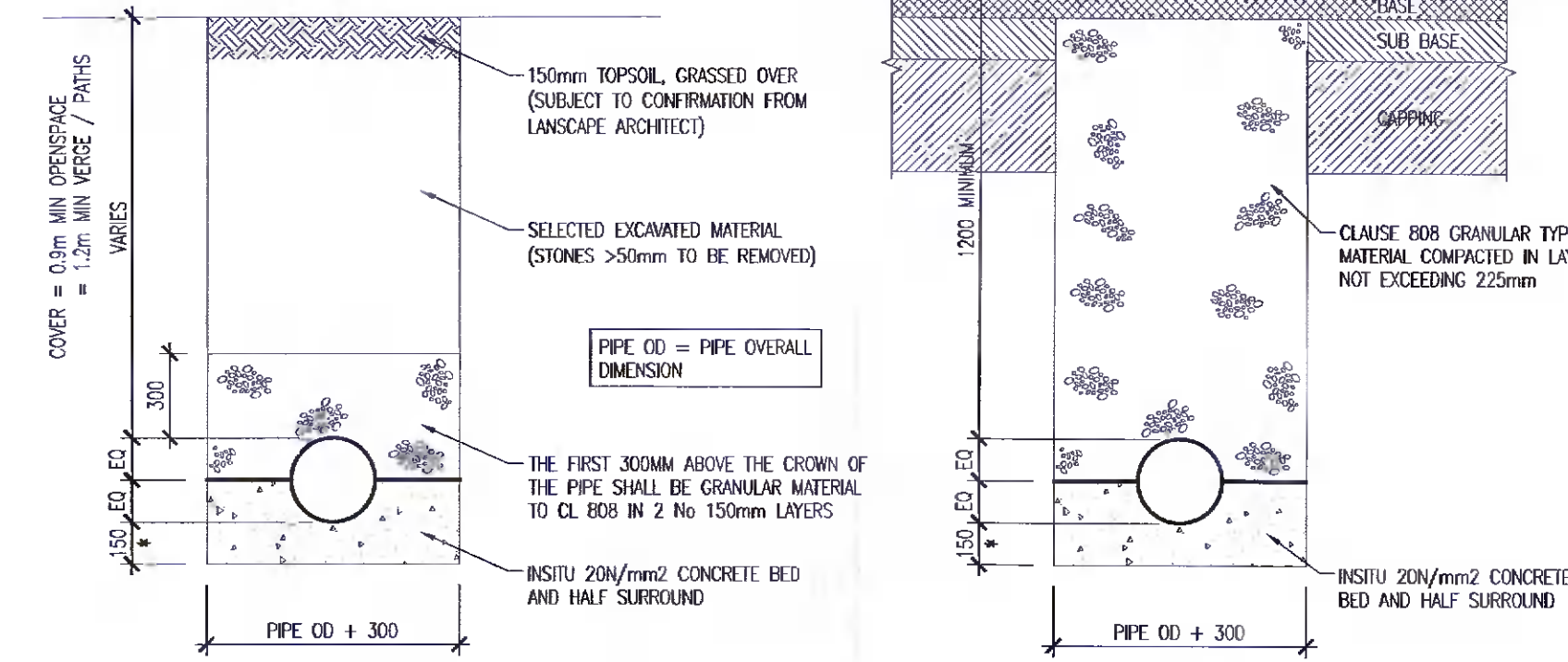
**TYPICAL STANDARD PAVING CONSTRUCTION IN PEDESTRIAN ONLY AREAS**  
SCALE 1:25



**TYPICAL STANDARD PAVING CONSTRUCTION IN TRAFFICKED AREAS**  
SCALE 1:25

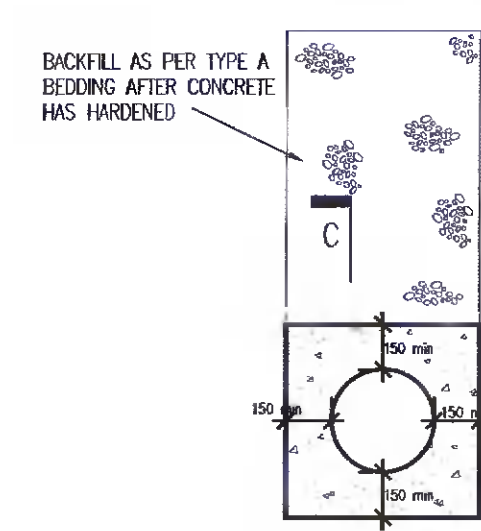


**TYPICAL PERMEABLE PAVING CONSTRUCTION IN PEDESTRIAN ONLY AREAS**  
SCALE 1:25



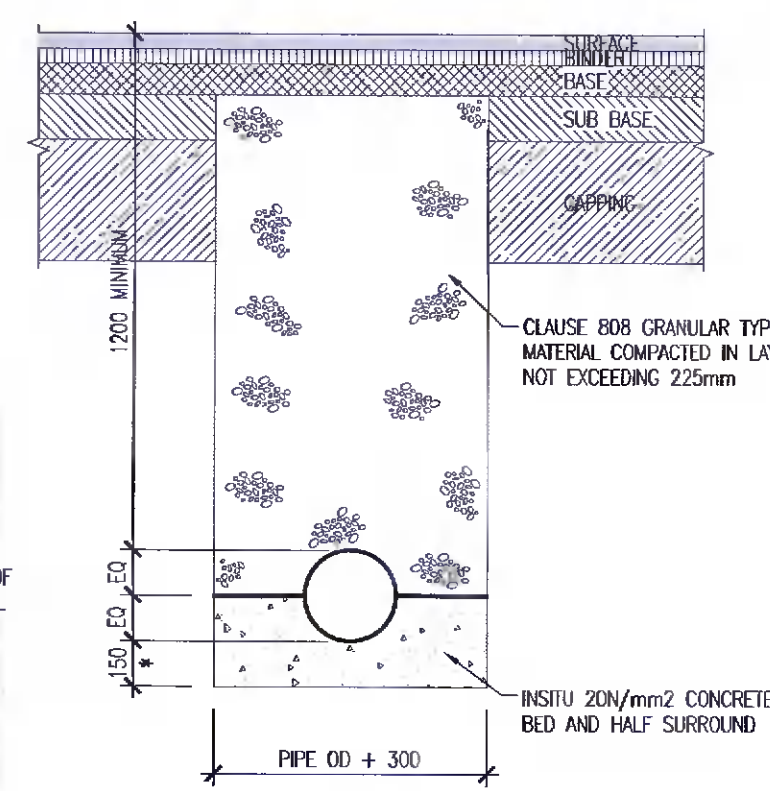
**A - BEDDING DETAIL ACROSS OPENSAPCE (SIMILAR)**  
TYPE A

**(COVER > 1.2 METRES TO CROWN, RIGID PIPES)**  
SCALE 1:25



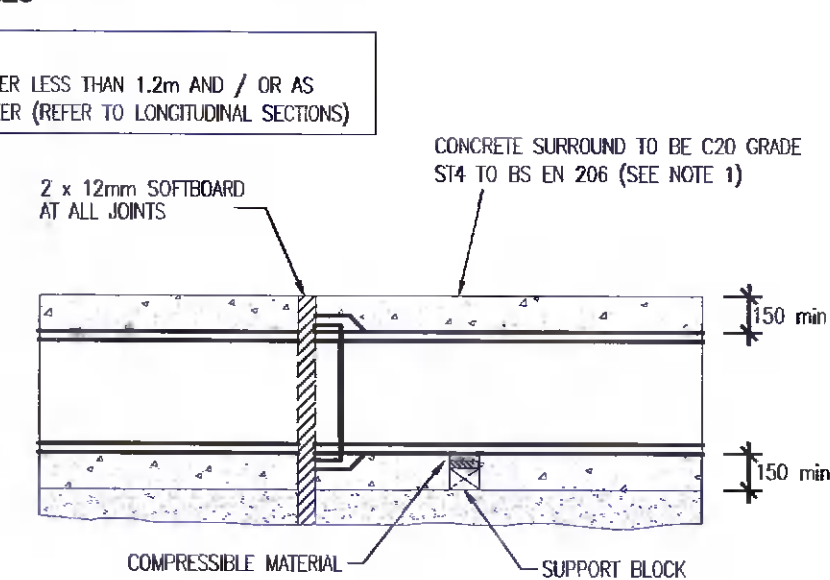
**RIGID PIPES: SURROUND**  
TYPE Z

**CONCRETE BEDDING/SURROUND (COVER 750mm - 1200mm)**  
SCALE 1:25



**B - BEDDING DETAIL IN ROADWAYS/VERGES/PATHS**  
TYPE A

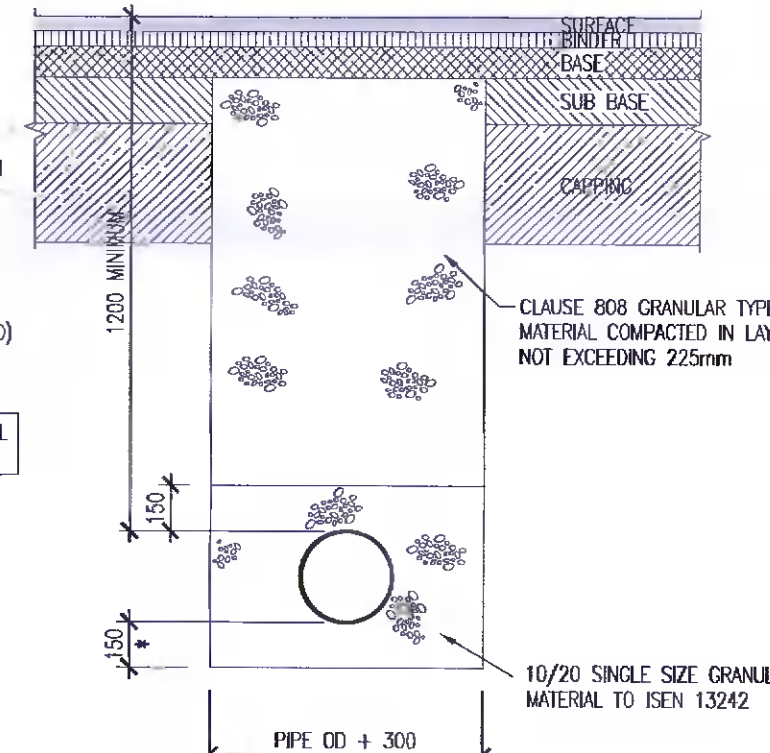
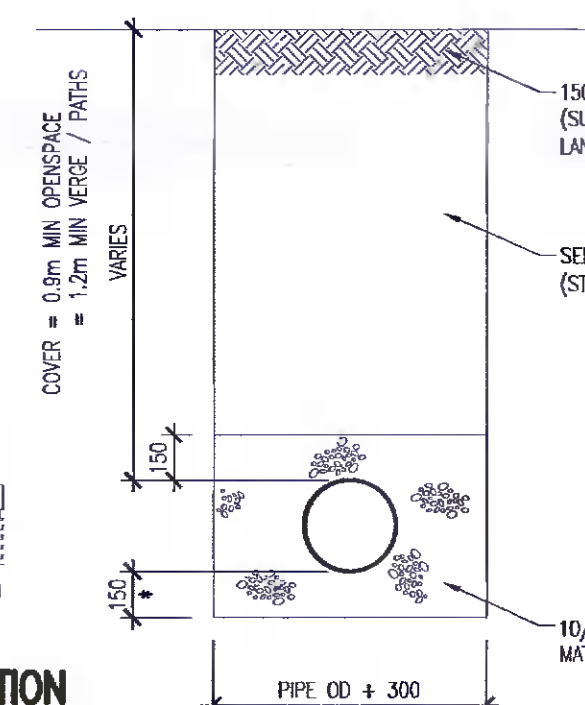
**(COVER > 1.2 METRES TO CROWN, RIGID PIPES)**  
SCALE 1:25



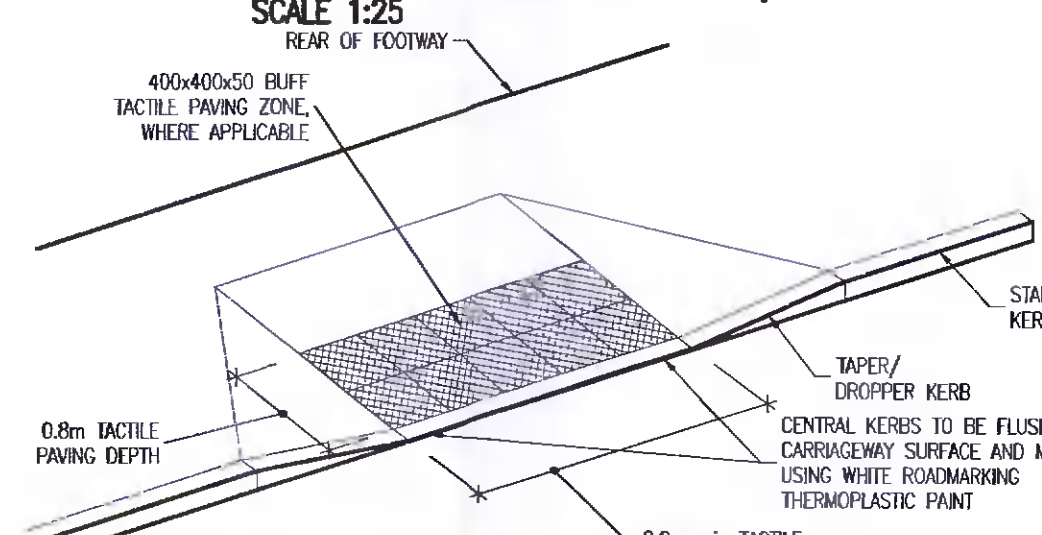
**SECTION C - C**  
TYPE Z

**A - BEDDING DETAIL ACROSS OPENSAPCE (SIMILAR)**  
TYPE S

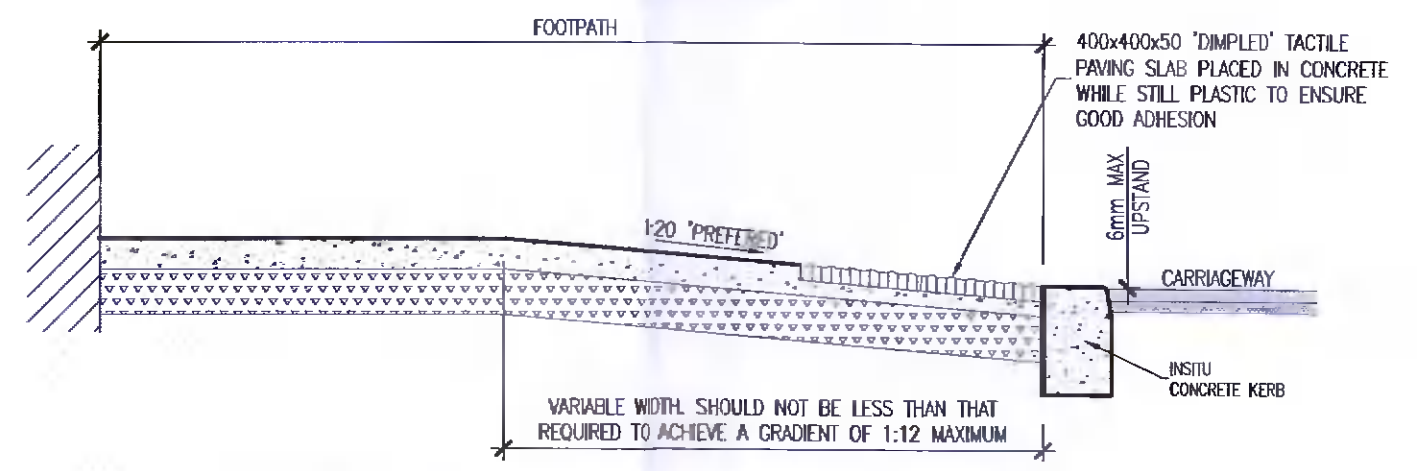
**(COVER > 1.2 METRES TO CROWN, FLEXIBLE PIPES)**  
SCALE 1:25



**B - BEDDING DETAIL IN ROADWAYS/VERGES/PATHS**  
TYPE S



**UNCONTROLLED DISHED CROSSING WITH TACTILE PAVING**  
SCALE 1:50



**TYPICAL SECTION THROUGH DISHED CROSSING**  
SCALE 1:25

**NOT FOR CONSTRUCTION**

**NOTES**

- POLYMER MODIFIED STONE MASTIC ASPHALT SURFACE COURSE SHALL COMPLY WITH THE REQUIREMENTS OF CLAUSE 942 OF THE NRA'S 'SPECIFICATION FOR ROAD WORKS' AND SHALL SATISFY THE REQUIREMENTS OF TABLE 9/2. IT SHALL BE LAID & COMPACTED IN ACCORDANCE WITH CLAUSE 901 & CLAUSE 702
  - DENSE BITUMEN MACADAM BINDER COURSE SHALL COMPLY WITH THE REQUIREMENTS OF CLAUSE 906 OF THE NRA'S 'SPECIFICATION FOR ROAD WORKS' & SHALL SATISFY THE REQUIREMENTS OF TABLE 6/4 & 6/2.
  - SUB-BASE MATERIAL SHALL COMPLY WITH CLAUSE B08 GRANULAR MATERIAL TYPE B OF NRA'S 'SPECIFICATION FOR ROAD WORKS' & SHALL SATISFY THE REQUIREMENTS OF TABLE 6/4 & 6/2.
  - SUB FORMATION & CAPPING MATERIAL SHALL COMPLY WITH THE REQUIREMENTS OF CLAUSE 906 OF THE NRA'S 'SPECIFICATION FOR ROAD WORKS' & SHALL SATISFY THE REQUIREMENTS OF TABLE 6/1 & 6/2.
  - STONE BLINDING WITH 2-6.3mm AGGREGATE SHALL MEET THE FOLLOWING GRADINGS, IN ACCORDANCE WITH IS EN 12342
- | BS SIEVE SIZE (mm) % BY MASS PASSING |        |
|--------------------------------------|--------|
| 14                                   | 100    |
| 10                                   | 98-100 |
| 6.3                                  | 80-99  |
| 2.0                                  | 0-20   |
| 1.0                                  | 0-5    |
- CRUSHED STONE WITH 4-20mm AGGREGATE SHALL MEET THE FOLLOWING GRADINGS, IN ACCORDANCE WITH IS EN 12342
- | BS SIEVE SIZE (mm) % BY MASS PASSING |        |
|--------------------------------------|--------|
| 40                                   | 100    |
| 31.5                                 | 98-100 |
| 20                                   | 90-99  |
| 10                                   | 25-70  |
| 4                                    | 0-15   |
| 5                                    | 0-5    |
- ANY ROADS PROPOSED TO BE USED FOR CONSTRUCTION TRAFFIC ARE TO HAVE INCREASED DEPTH OF SUB-BASE TO THE DURATION OF CONSTRUCTION IN ACCORDANCE WITH DBFL SPECIFICATIONS.
  - ALL WORKS SHALL BE COMPLETED IN ACCORDANCE WITH THE REQUIREMENTS OF THE LOCAL AUTHORITY.
  - ALL GEOTEXTILES TO BE LAID IN ACCORDANCE WITH MANUFACTURERS SPECIFICATIONS.
  - ALL FILLING BELOW CAPPING LAYER (IE SUB-FORMATION) TO BE GRANULAR FILL MATERIAL CLASS 10 (GRADE GRANULAR MATERIAL IN ACCORDANCE WITH THE SPECIFICATION FOR ROADWORKS, NRA
  - ALL ROAD GULLIES IN ROADWAYS TO BE NON-LOCKABLE

Rev	Date	Description	SM	SJ
P	15/10/21	PLANNING SUBMISSION	SM	SJ

**PLANNING**

**gdcl**  
CONSULTING ENGINEERS

Scope House, 75 Shelton Street, Covent Garden, London W2C2 8JQ  
Dublin D12 K8PP www.gdclconsulting.com

PROJECT	U-Store-It, Liffey Valley		
CLIENT	Oceanglade Ltd		
DRAWING TITLE	Typical Construction Details Sheet 1		
dm. by: PTC	date: Oct '20	scale: As Shown	
drawing size: A1	chk: SJ	app: GD	
job no: P2005	drg. no: P2005-C-210	rev: P	