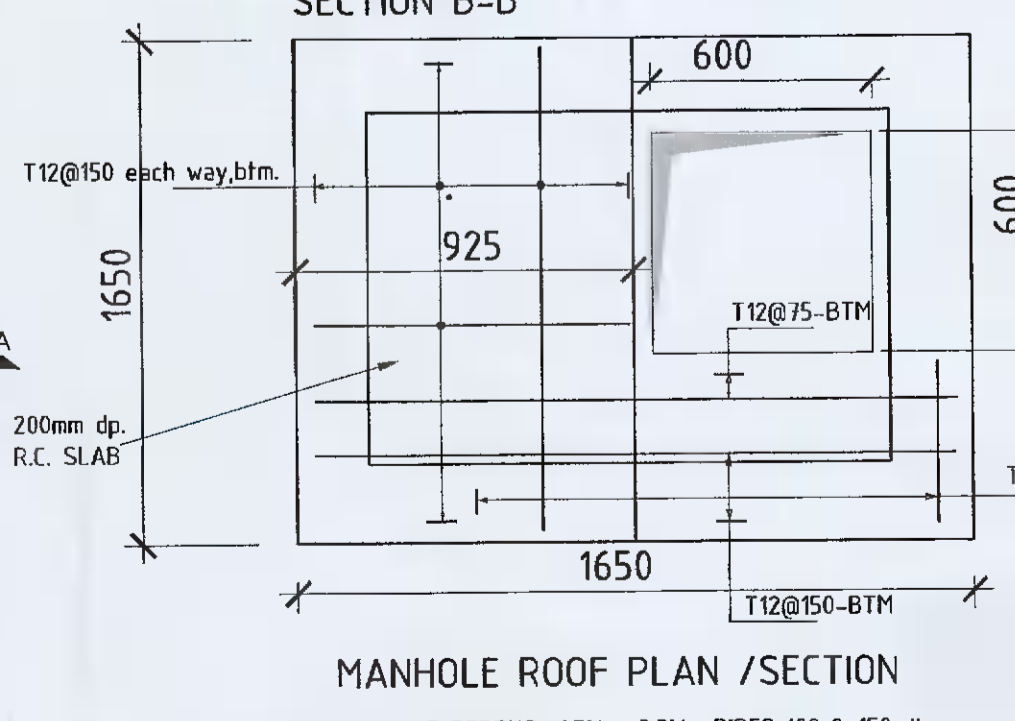
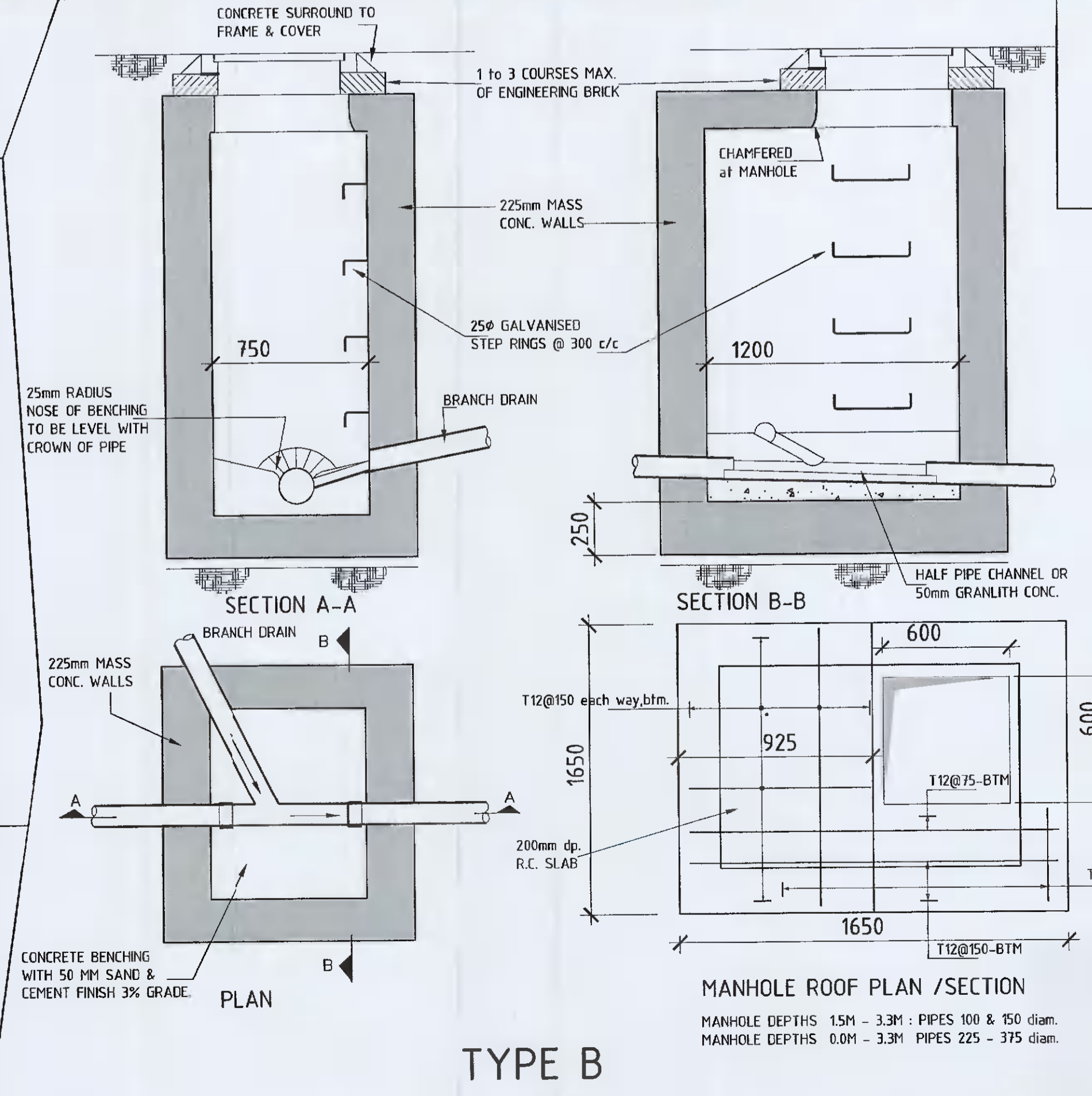
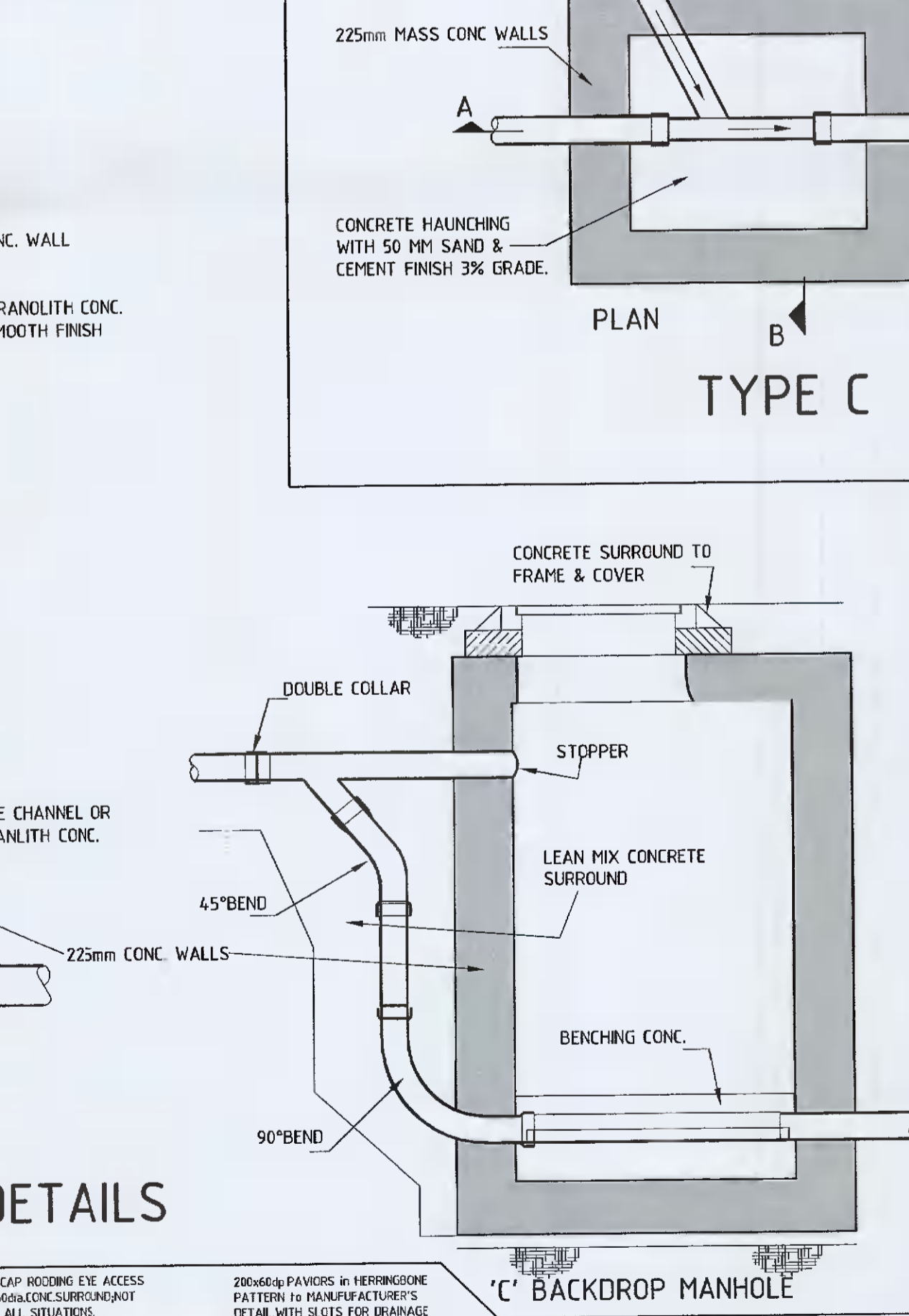
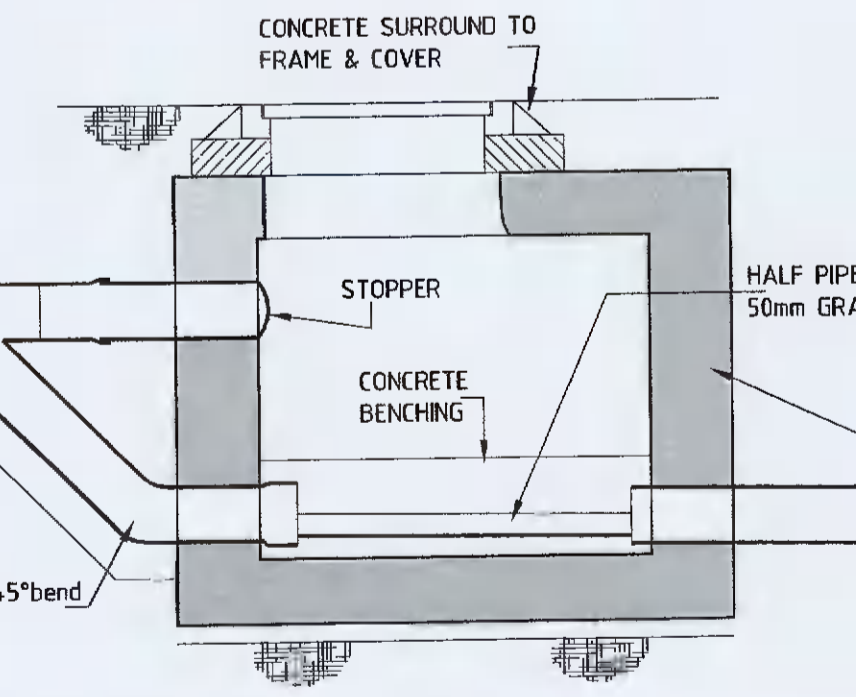
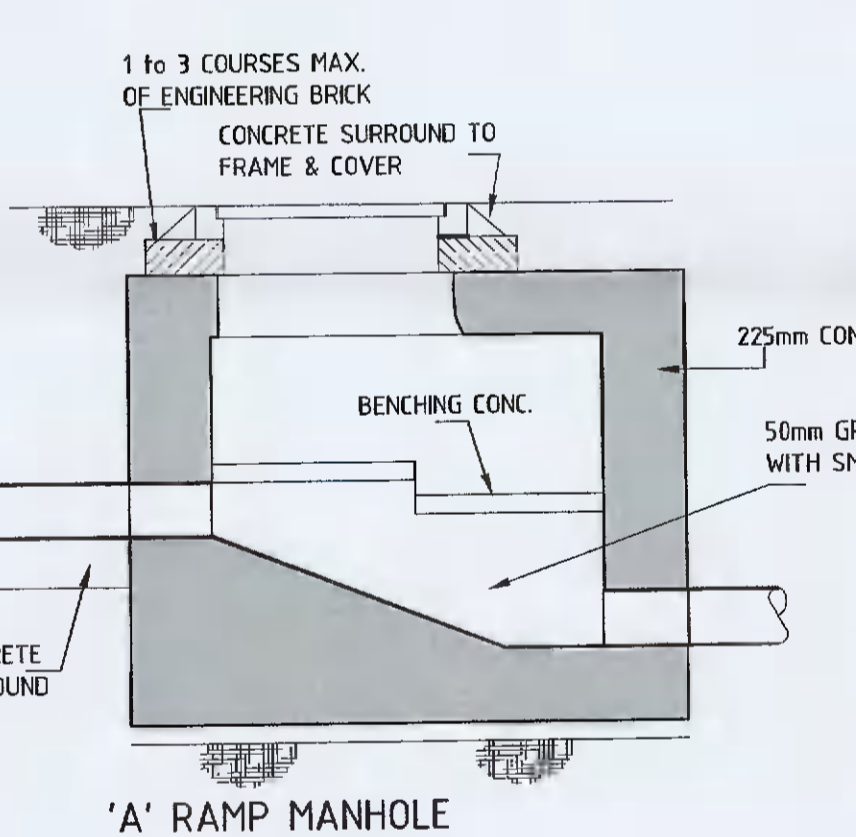
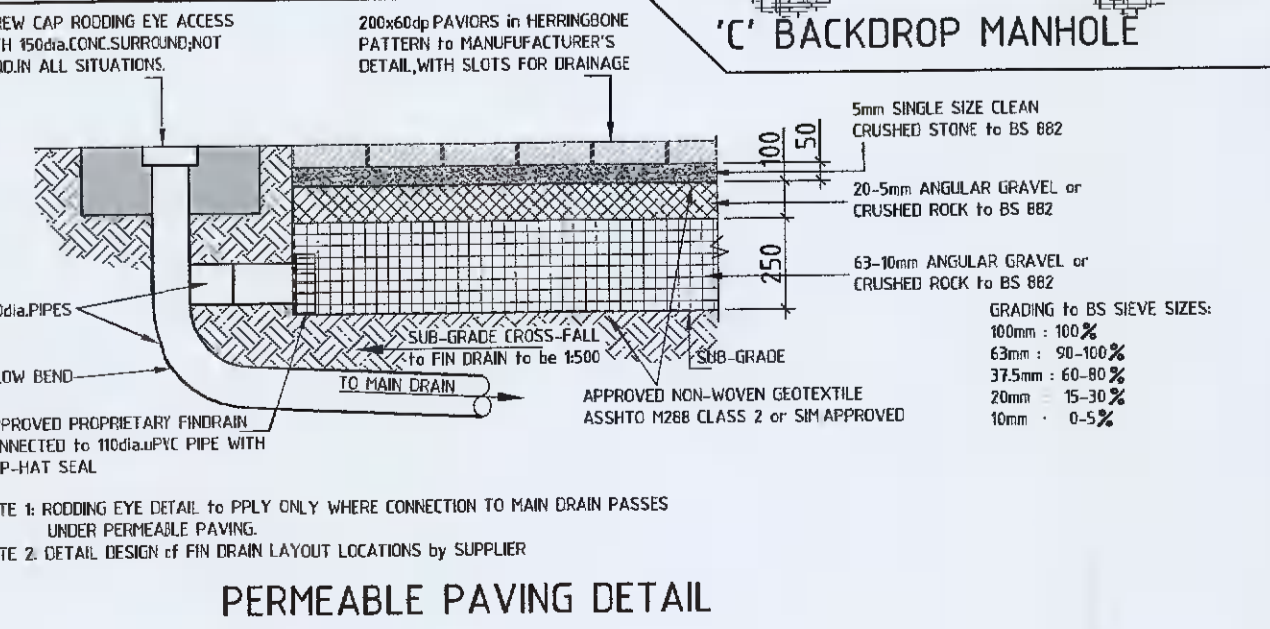


- 600 SQUARE ALL WITH CLOSED KEYWAYS.
 - COVERS WHICH INCLUDE A "NEOPRENE" OR SIMILAR TYPE SEALING RING ARE NOT ACCEPTABLE.
 - EACH COVER AND FRAME SHALL HAVE CAST CLEAR THEREON: IS 261 GRADE A. IRISH STANDARD MARK OR EQUIVALENT MANUFACTURERS NAME DATE OF MANUFACTURE.
 - COVERS MUST INCORPORATE A PERMANENT NON-ROCK DESIGN FEATURE SUCH AS TRIANGULAR POINT SUSPENSION OR MACHINED FACES. THEY SHALL BE SUPPLIED BY AN APPROVED MANUFACTURER AND BE TO THE SATISFACTION OF THE LOCAL AUTHORITY DRAINAGE DIVISION FOR MANHOLES TO BE TAKEN IN CHARGE. (A) GRADE A (HEAVY DUTY) (B) GRADE B (MEDIUM DUTY) (C) GRADE C (LIGHT DUTY)
 - 1M SQUARE OF CONCRETE SHALL BE PROVIDED AROUND COVER OF MANHOLES IN GRASSED AREA MINIMUM THICK 100mm DEEP TO INVERT LEVEL OF PIPE @ 300c/c.
 - STEP IRONS TO BE PROVIDED IN MANHOLES GREATER THAN 1M DEEP TO INVERT LEVEL OF PIPE @ 300c/c. THE TOP STEP IRON SHALL BE 450mm MAX BELOW COVER LEVEL. THE BOTTOM STEP IRON SHALL BE 300mm ABOVE BENCHING LEVEL. INTERMEDIATE STEPS SHALL BE AT 300mm C/S.
 - ALL DEVELOPMENTS TO BE GRANED ON THE COMPLETELY SEPARATE SYSTEM UNLESS BY AGREEMENT WITH THE LOCAL AUTHORITY.
 - ALL DITCHES OR STREAMS BOUNDING OR TRAVERSING THE SITE OF THE PROPOSED DEVELOPMENT SHALL BE PIPED OR OTHERWISE TREATED AS DIRECTED BY THE MAIN DRAINAGE DIVISION, LOCAL AUTHORITY.
 - WHERE PROPOSED SEWERS ARE TO BE LAID IN FOOTPATHS, A CLEAR DISTANCE OF 1 METRE SHALL BE MAINTAINED BETWEEN THEM AND ANY BOUNDARY, WALL, FENCE, ETC. FOR THE INSTALLATION OF OTHER PUBLIC UTILITIES. IT IS ESSENTIAL ALSO TO PROVIDE SPACE ADJACENT TO THE KERB FOR THE ERECTION OF PUBLIC LIGHTING STANDARDS.
 - DRAINS SHALL BE A MINIMUM DISTANCE OF 5 METRES FROM THE BACKS OF HOUSES TO PROVIDE CLEAR GROUND FOR THE ERECTION OF FUTURE EXTENSIONS.
 - THE SURFACE WATER DRAINS SHALL BE EXTENDED TO THE REAR OF EACH HOUSE.
 - A BUILDING FREE ZONE OF 3 METRES SHALL BE MAINTAINED ON EACH SIDE OF AN EXISTING SEWER OR A PROPOSED PIPELINE TO BE TAKEN IN CHARGE AS A SEWER.
 - THE FINAL MANHOLE ON A FOUL DRAIN MUST RELIEVE A BROADS INTERCEPTOR TRAP. THE CONNECTION TO THE PUBLIC SEWER MUST NOT BE LESS THAN 150mm Ø AND LAID IN THE SAME TYPE OF PIPE FROM TRAP TO SEWER.
 - PIPE SIZE TO BE AGREED WITH LOCAL AUTHORITY PRIOR TO THE LAYING.
 - PIPE SIZE UNDER PUBLIC ROADS MAY BE REQUIRED TO BE 225 Ø MINIMUM.
- PIPES**
- ALL PIPES LESS THAN 225 Ø TO BE U.P.V.C. IN COMPLIANCE WITH B.S.
 - ALL PIPES 225 Ø AND OVER TO BE S-5 CONCRETE.
 - CONCRETE SEWER PIPES SHALL COMPLY WITH BS.6741 OR EQUIVALENT AND SHALL BE OF SPIGOT AND SOCKET TYPE WITH FLEXIBLE JOINTS.
 - ASBESTOS CEMENT SEWER PIPES AND FITTINGS SHALL COMPLY WITH THE REQUIREMENTS OF BS.2431 (1988) WITH ASBESTOS CEMENT SLEEVE JOINT'S RUBBER RINGS.
 - CLAYWARE PIPES AND FITTINGS SHALL COMPLY WITH THE REQUIREMENTS OF BS.6741.
- UNSEALED GULLIES**
- GRATINGS AND FRAMES TO BE TO BS.261 (1986), SECTION 3, AND AMENDMENT No.1, 1985. THEY MAY BE MANUFACTURED IN GREY CAST IRON OR DUCTILE CAST IRON AND MAY BE SHAPED IN DISHED OR FLAT FORM. THEY MUST BE HINGED NORMAL TO THE KERB LINE TO CLOSE WITH TRAFFIC. SLOTS MUST BE NORMAL TO KERB LINE.
 - EACH GRATING AND FRAME SHALL HAVE CLEARLY THEREON: IS.261 GRADE A. IRISH STANDARD MARK OR EQUIVALENT MANUFACTURERS NAME DATE OF MANUFACTURE.
- SEALED GULLIES**
(For use on a combined or foul sewer)
- GRATINGS AS FOR UNSEALED GULLIES.
 - GULLY BOX AND CLEANING EYE SHOULD BE TO DUBLIN CORPORATION DESIGN WITH BOTTOM OUTLET IN GREY CAST IRON OR DUCTILE CAST IRON.
- CONCRETE MANHOLE BASE & ROOF**
- BASE SLABS SHALL BE 30 N/mm² NOT LESS THAN 250mm THK.
 - A SHAFT OF AT LEAST 450mm DEPTH MUST BE PROVIDED BETWEEN THE ROOF SLAB AND THE MANHOLE COVER SO THAT THE ROOF SLAB IS INDEPENDENT OF THE ROAD CONSTRUCTION.
- SURFACE WATER SEWERS**
- THE MANHOLES MAY BE:-
1. A RECTANGULAR CHAMBER BUILT IN SOLID CONC. BLOCKWORK
 2. CAST IN SITU RECTANGULAR CHAMBER BUILT IN CONCRETE
 3. PRECAST CONCRETE MANHOLES



DIAMETER OF INLET	MANHOLE TYPE	DROP	DIAMETER OF DROP	D
225	TYPE A	0-500	225	-
	TYPE B	500-1000	225	225
	TYPE C	>1000	225	225
300	TYPE A	0-600	300	-
	TYPE B	600-1000	300	300
	TYPE C	>1000	225	300
375	TYPE A	0-750	375	375
	TYPE B	750-1200	300	375
	TYPE C	1200	300	375

BACKDROP MANHOLE DETAILS



Rev	Date	Description
P	Oct '21	Drawing issued for Planning
Client Tom & Hazel O'Reilly		
Project Oak Lodge, Clondalkin, Dublin 22		
Title Standard Drainage Details		
Date	Drawn	Job No.
Oct '21	ph	100-30
Scale	Checked	Dwg. No.
NTS	sd	S04
		Rev.
		P

SCD Consulting
Engineering & Management
12 FORTFIELD GROVE, TERENURE, DUBLIN 6
Ph. 0862 571 357
email: info@scdconsulting.ie