

SITE LAYOUT PLAN
SCALE 1:200

- Notes:**
1. Do not scale.
 2. All dimensions are in mm otherwise specified.
 3. Assume all site details are existing unless otherwise specified.

| Rev | Description | Date |
|-----|------------------------------|----------|
| A | GPS ANTENNA ADDED | 24/09/21 |
| B | PLANNING APPLICATION DRAWING | 17/09/21 |

| | |
|------------------------------|---------------|
| Color/Content Details | |
| Type | RBS 6102 |
| Dim's | 1450x1300x700 |
| Structure Details | STEEL POLE |
| Height | 15.0m |

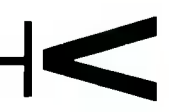
| | | | | | |
|----------------|----------|-------------|----------|------------|----|
| Purpose | | | | | |
| Site code | DX047 | Survey date | 09/09/21 | Sheet Size | A3 |
| Scale | As Shown | Drawn | SN | Checked | DS |
| Date | 17/09/21 | Date | 17/09/21 | Approved | IB |

| | |
|---|------------------------------|
| Title | |
| Site Layout Plan | Project |
| PROPOSED VANTAGE TOWERS SITE AT JUNCTION OF GRIFFEEN AVENUE & THE R136, KISHOGH, LUCAN, Co. DUBLIN, | Drawing No. DX047 / 002 / 05 |
| NOT FOR CONSTRUCTION - AWAITING PCM | Revision |
| | A |

VANTAGE TOWERS

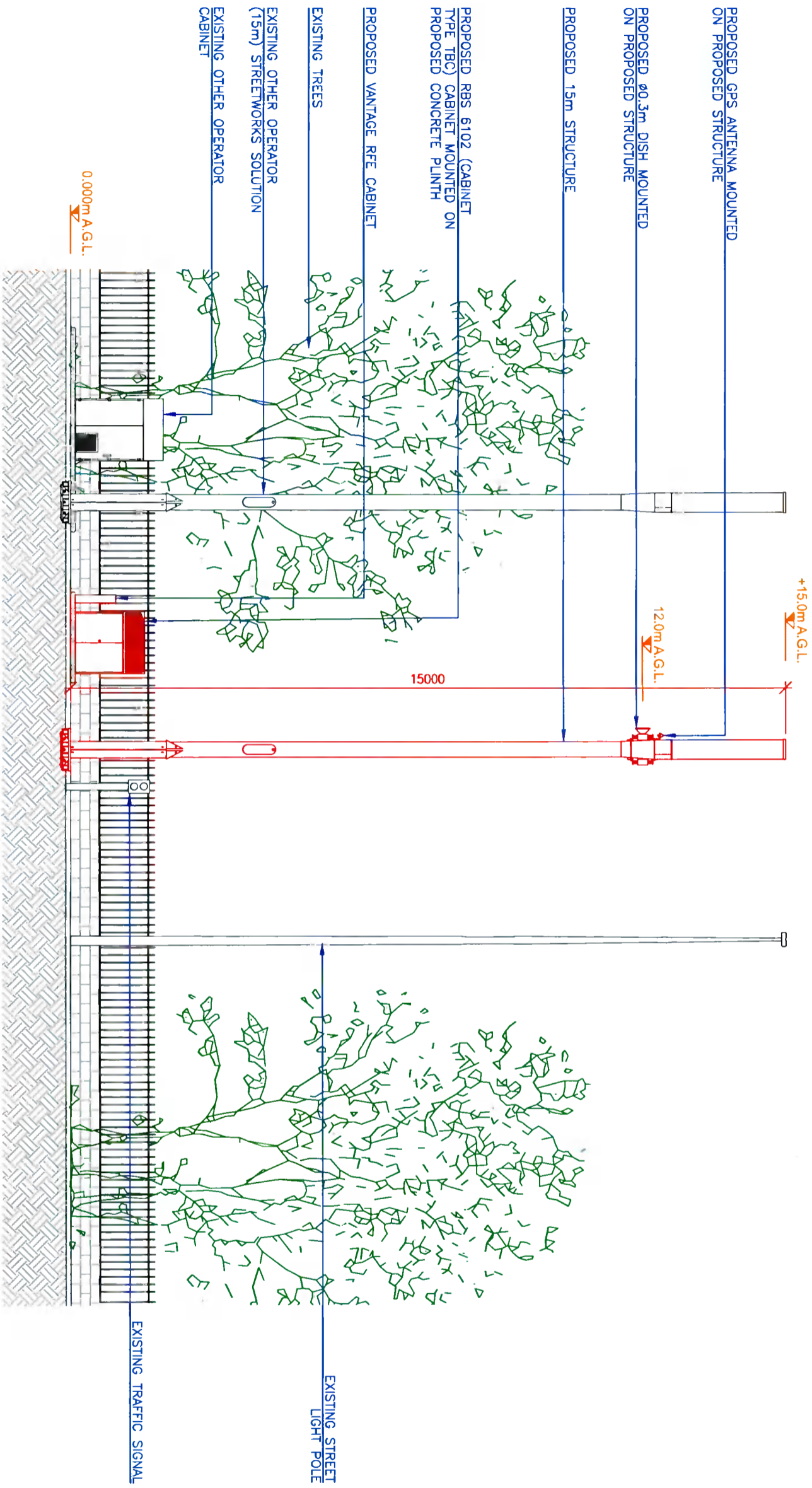
THE OWNERSHIP AND COPYRIGHT OF THIS DRAWING REMAINS WITH VANTAGE TOWERS AT ALL TIMES. THE DRAWING MAY NOT BE COPIED, DUPLICATED OR PASSED TO THIRD PARTIES WITHOUT THE WRITTEN PERMISSION OF VANTAGE TOWERS.

Site Code: DX047 Site Name: GRIFFEEN AVENUE





Site Code: DX047 Site Name: GRIFFEEN AVENUE



SOUTH-EAST ELEVATION
SCALE 1:100

VANTAGE TOWERS

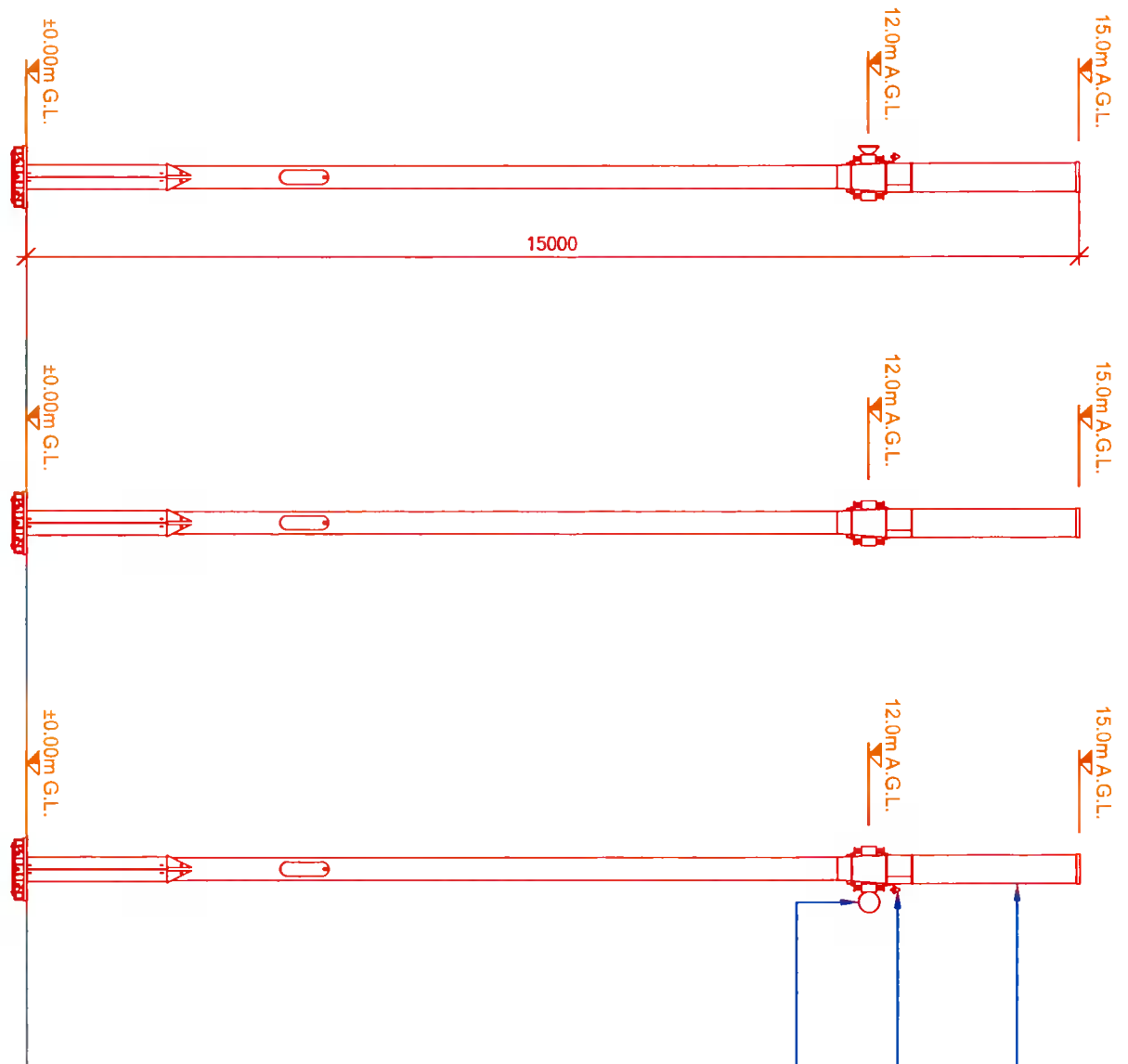
| Notes | |
|-------|---|
| G | 1. Do not scale. |
| F | 2. All dimensions are in mm unless otherwise specified. |
| E | 3. Assume all site details are existing unless otherwise specified. |
| D | |
| C | |
| B | |
| A | |

| Cabinet/Component Details | |
|---------------------------|---------------|
| Type | RBS 6102 |
| Dims | 1450x1300x700 |
| Structure Details | STEEL POLE |
| Height | 15.0m |

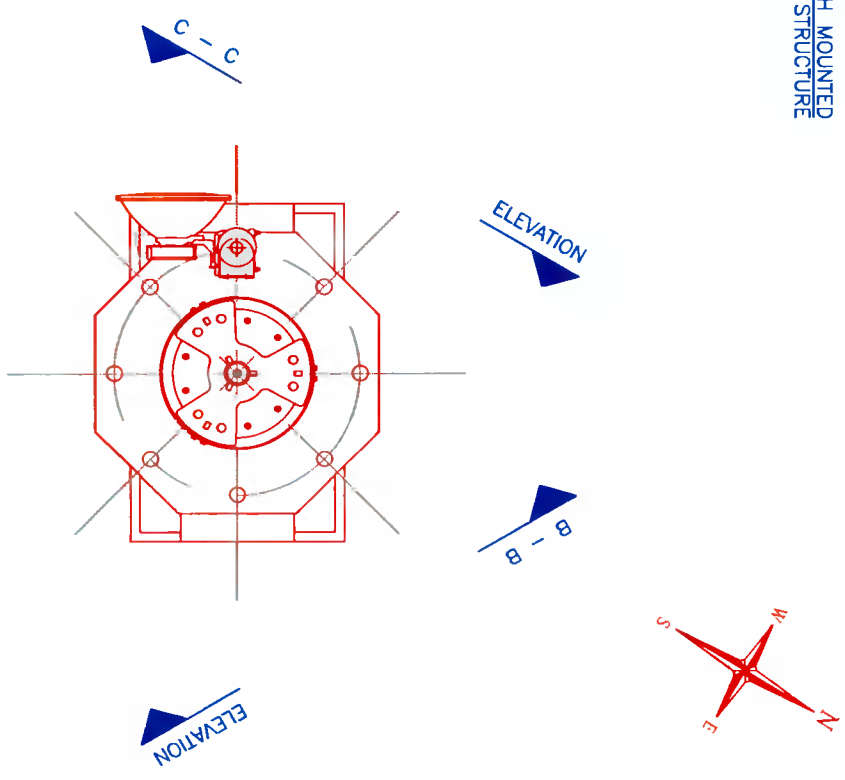
| Purpose | | | | | |
|------------------------------|----------|-------------|----------|------------|----------|
| PLANNING APPLICATION DRAWING | | | | | |
| Site code | DX047 | Survey date | 09/09/21 | Sheet Size | A3 |
| Scale | AS SHOWN | Drawn | SN | Checked | DS |
| Date | 17/09/21 | Date | 17/09/21 | Date | 15/09/21 |
| Approved | IB | | | | |

| Title | |
|--|------------------|
| South-East Elevation | |
| Project | |
| PROPOSED VANTAGE TOWERS SITE AT JUNCTION OF GRIFFEEN AVENUE & THE R136, KISHOGUE, LUCAN, CO. DUBLIN. | |
| Drawing No. | DX047 / 002 / 06 |
| Revision | A |

THE OWNERSHIP AND COPYRIGHT OF THIS DRAWING REMAINS WITH VANTAGE TOWERS AT ALL TIMES. THE DRAWING MAY NOT BE COPIED, DUPLICATED OR PASSED TO THIRD PARTIES WITHOUT THE WRITTEN PERMISSION OF VANTAGE TOWERS.



ELEVATION A-A ELEVATION B-B ELEVATION C-C
STRUCTURE ELEVATION
 SCALE 1:100



STRUCTURE PLAN
 SCALE 1:20

VANTAGE TOWERS

THE OWNERSHIP AND COPYRIGHT OF THIS DRAWING REMAINS WITH VANTAGE TOWERS AT ALL TIMES. THE DRAWING MAY NOT BE COPIED, DUPLICATED OR PASSED TO THIRD PARTIES WITHOUT THE WRITTEN PERMISSION OF VANTAGE TOWERS.

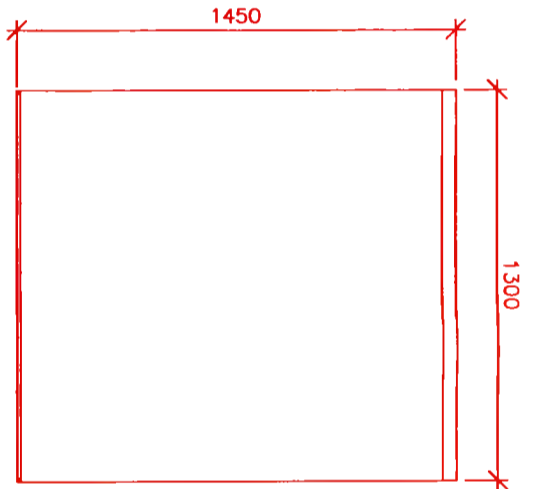
| Notes | | Revision | |
|---|--|----------|-------------------------------------|
| 1. Do not scale. | | A | NOT FOR CONSTRUCTION - AWAITING PCM |
| 2. All dimensions are in mm otherwise specified. | | | |
| 3. Assume all site details are existing unless otherwise specified. | | | |

| Rev | Description | By | Date |
|-----|------------------------------|----|----------|
| A | GPS ANTENNA ADDED | KG | 24/09/21 |
| B | PLANNING APPLICATION DRAWING | SN | 17/09/21 |

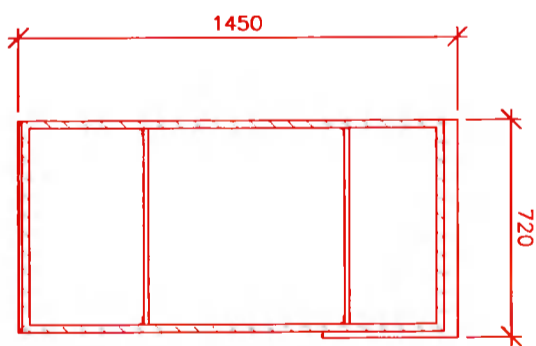
| General/Optional Details | | Purpose | |
|--------------------------|---------------|-------------|----------|
| Type | RBS 6102 | Site code | DX047 |
| Dim's | 1450x1300x700 | Survey date | 09/09/21 |
| Structure Details | STEEL POLE | Drawn | SN |
| Height | 15.0m | Checked | DS |
| | | Approved | IB |
| | | Date | 15/09/21 |

| Structural Elevations | | Project | |
|-----------------------|----------|------------|---|
| Scale | As Shown | Project | PROPOSED VANTAGE TOWERS SITE AT JUNCTION OF GRIFFEEN AVENUE & THE R136, KISHOGE, LUCAN, Co. DUBLIN. |
| Date | 17/09/21 | Sheet Size | A3 |
| Date | 17/09/21 | Approved | IB |
| Date | 15/09/21 | Approved | IB |
| Date | 15/09/21 | Approved | IB |

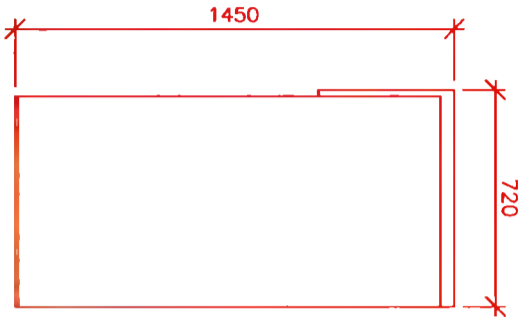
| | |
|------------------|----------------------------|
| Site Code: DX047 | Site Name: GRIFFEEN AVENUE |
|------------------|----------------------------|



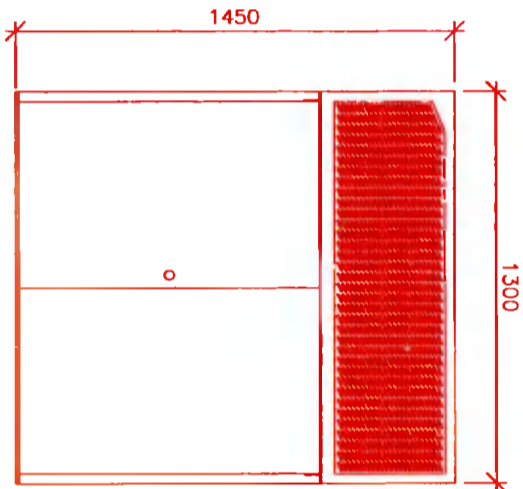
REAR ELEVATION



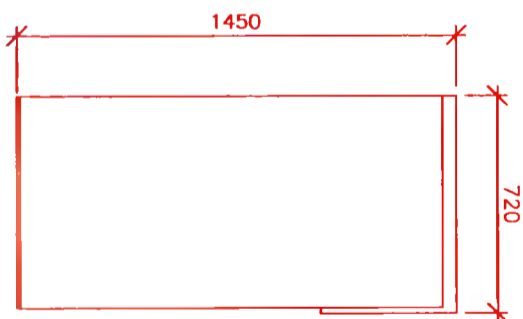
SECTION THRU'



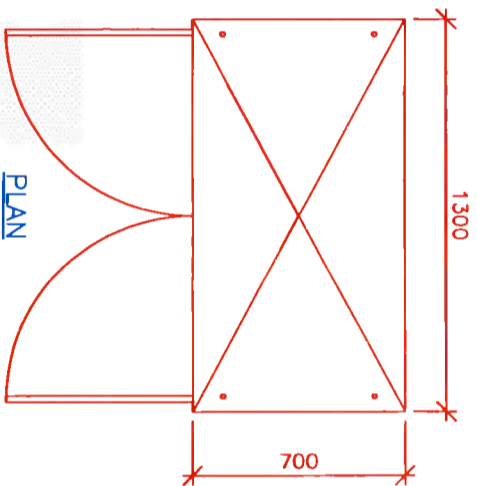
SIDE VIEW 1



FRONT ELEVATION



SIDE VIEW 2



PLAN



PROPOSED RBS 6102 CABINET DETAILS
SCALE 1:25

- Notes:
1. Do not scale.
 2. All dimensions are in mm otherwise specified
 3. Assume all site details are existing unless otherwise specified.

| Rev. | Description | By | Check |
|------|------------------------------|----|----------|
| A | PLANNING APPLICATION DRAWING | SN | 17/09/21 |
| B | | | |
| C | | | |
| D | | | |
| E | | | |
| F | | | |
| G | | | |
| H | | | |

| | |
|-------------------------|---------------|
| Cabinet/Cabinet Details | |
| Type: | RBS 6102 |
| Dim: | 1450x1300x700 |
| Height: | 15.0m |
| Structure: | STEEL POLE |
| Height: | 15.0m |

| | | | | | |
|------------------------------|----------|-------------|----------|------------|----|
| Purpose | | | | | |
| PLANNING APPLICATION DRAWING | | | | | |
| Site code | DX047 | Survey date | 09/09/21 | Sheet size | A3 |
| Scale | AS SHOWN | Drawn | SN | Checked | DS |
| Date | 17/09/21 | Date | 17/09/21 | Approved | IB |
| Date | 15/09/21 | | | | |

| | |
|--|------------------|
| Title | |
| Proposed Cabinet Details | |
| Project | |
| PROPOSED VANTAGE TOWERS SITE AT JUNCTION OF GRIFFEEN AVENUE & THE R136, KISHOGUE, LUCAN, CO. DUBLIN. | |
| Drawing No. | DX047 / 002 / 08 |
| Revision | A |
| NOT FOR CONSTRUCTION - AWAITING PCM | |

Site Code: DX047 Site Name: GRIFFEEN AVENUE