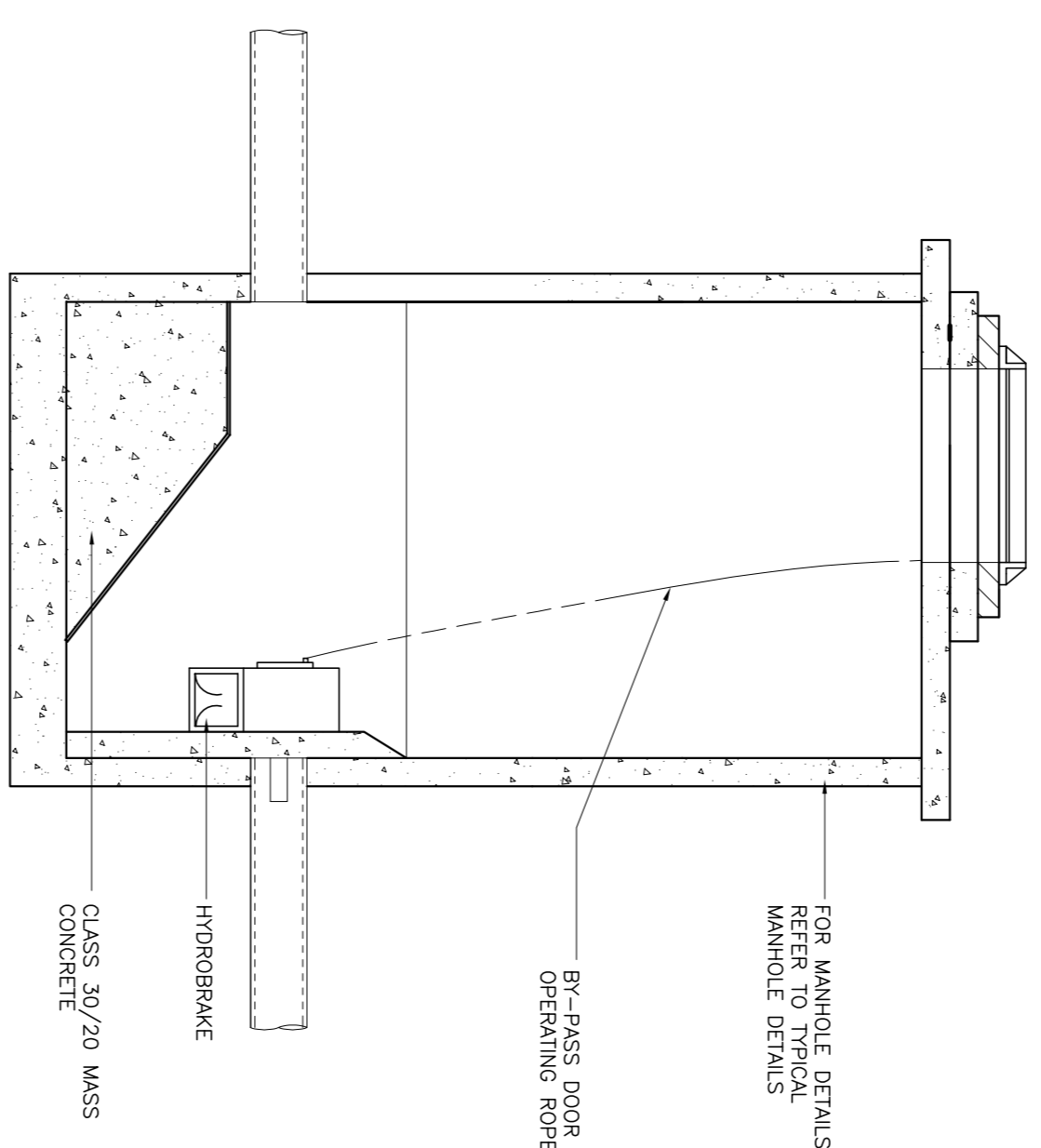


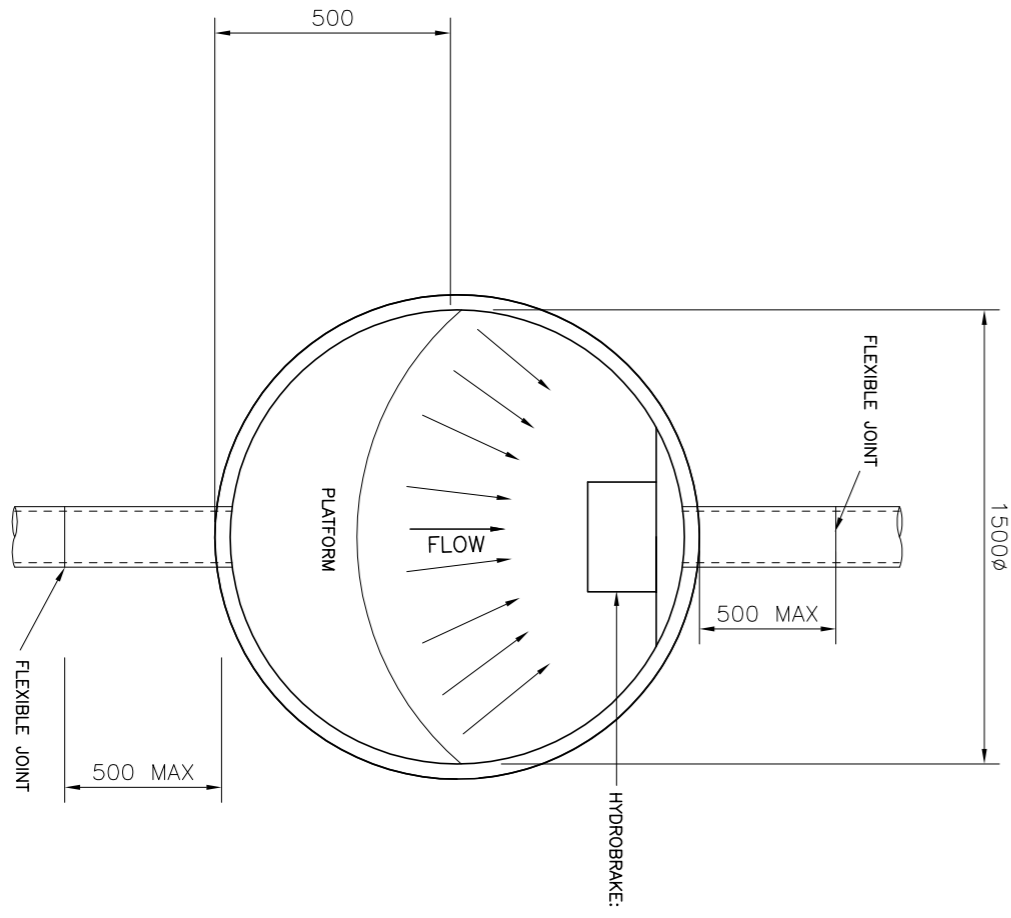
TYPICAL STORMTECH ARCHED CHAMBER SECTION - SW ATTENUATION

SCALE N15



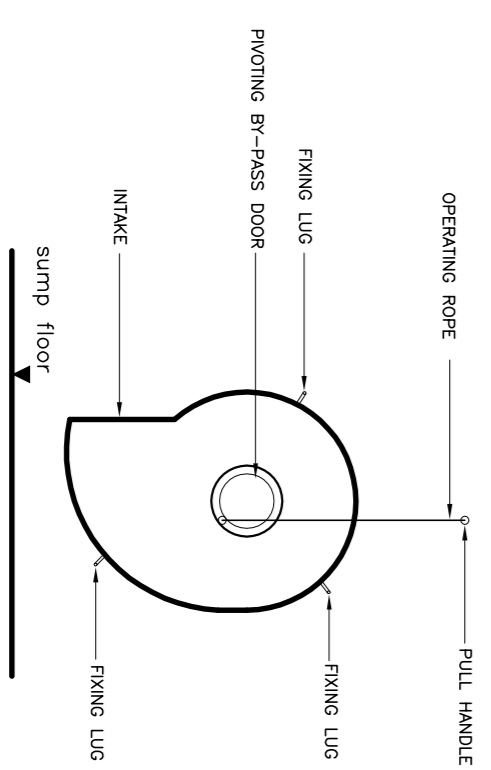
SECTION THRU HYDROBRAKE MANHOLE

SCALE 1:25



PLAN ON HYDROBRAKE MANHOLE

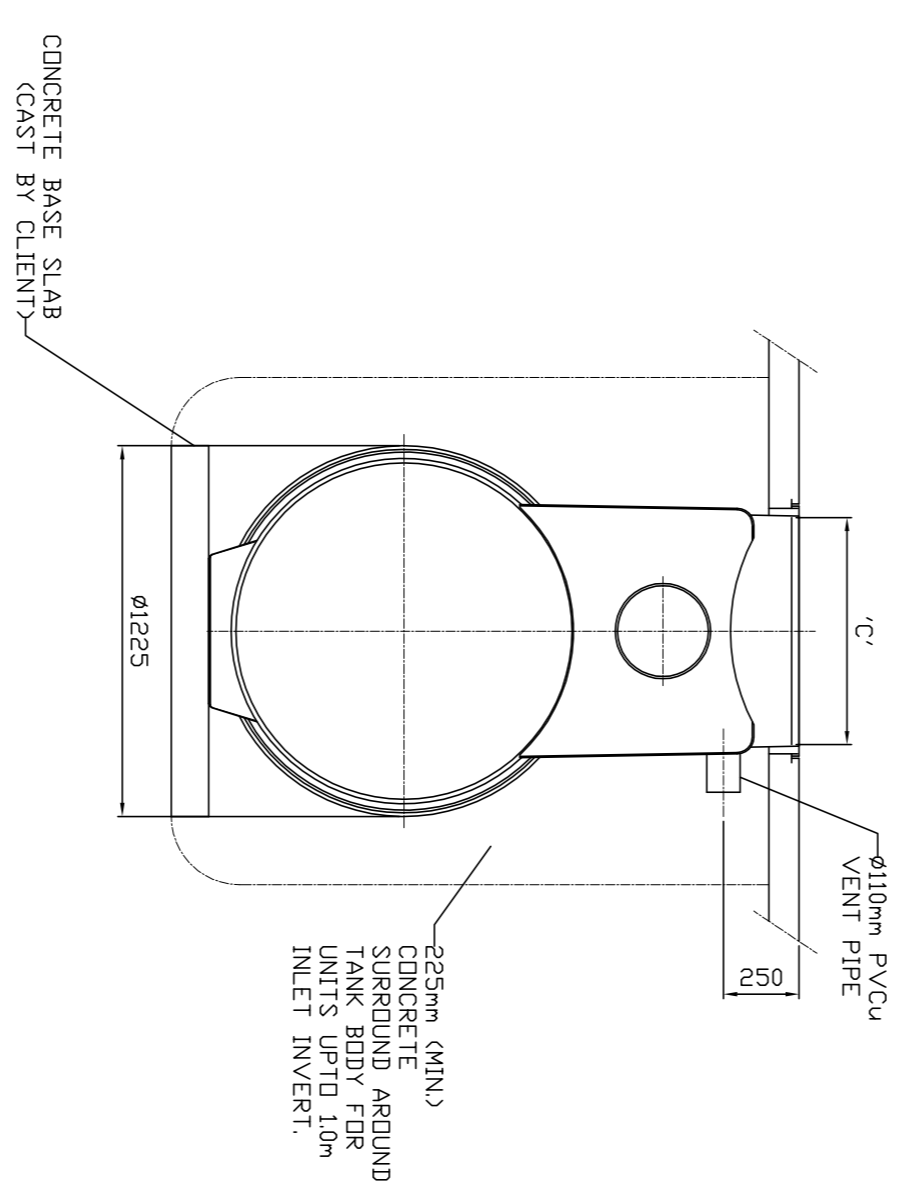
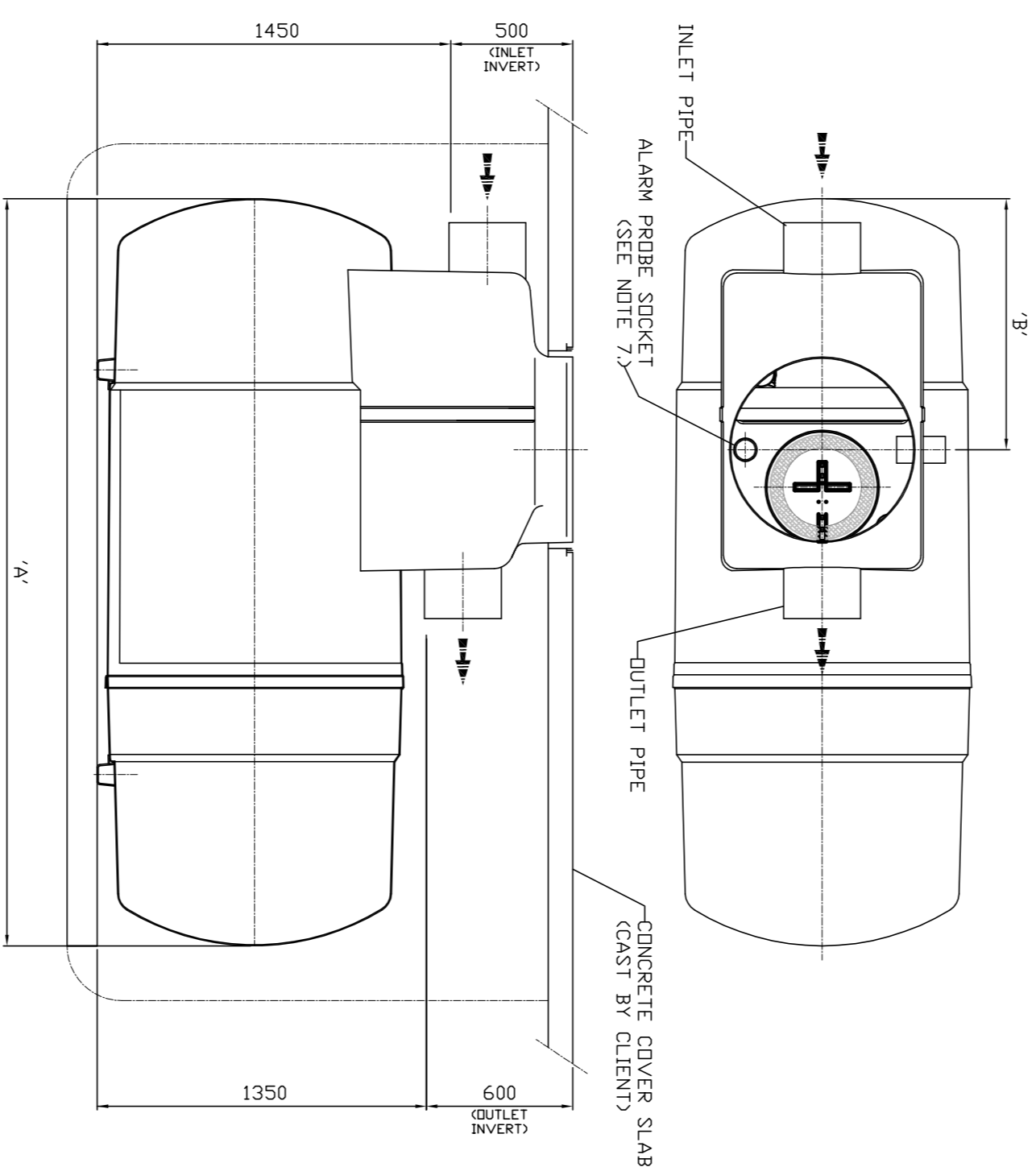
SCALE 1:25



FRONT VIEW OF HYDROBRAKE SHOWING CORRECT ORIENTATION

PETROL INTERCEPTOR

SCALE 1:25



DIMENSIONS									
UNIT REF. NO.	NOMINAL DIA	DIV	DN	DN	DN	DN	STG PIPES	APPROX. WEIGHT (KG)	FALL ACCESS UNIT
NS83	3 L/S	1765	850	600	160	145		100	
NS84	4.5 L/S	1765	850	600	200	185		100	
NS85	6 L/S	1765	850	750	200	180		100	
NS86	6 L/S	1765	850	750	250	200		100	
NS87	6 L/S	1765	850	750	250	250		100	
NS88	6 L/S	1765	850	750	250	250		100	
NS89	6 L/S	1765	850	750	250	250		100	
NS90	6 L/S	1765	850	750	250	250		100	
NS91	12 L/S	1925	1020	750	300	240		100	
NS92	12 L/S	1925	1020	750	300	240		100	
NS93	15 L/S	1925	1020	750	300	240		100	
NS94	15 L/S	1925	1020	750	300	240		100	

- NOTES:-**
- 1) INLET / OUTLET PIPES ARE PLAIN PVCu.
 - 2) PLEASE NOTE A CLASS 1 BYPASS SEPARATOR INCLUDES A COLLECTOR, CLASS 2 BYPASS SEPARATORS DO NOT.
 - 3) EXTENSION NECKS FOR DEEPER INVERT CAN BE PROVIDED IN 0.5m INCREMENTS FOR ON SITE ASSEMBLY. SEE DRAWING DS0616 FOR FURTHER DETAILS.
 - 4) ALL UNITS REQUIRE APPROPRIATE COVER AND FRAME TO SUIT APPLIED LOADINGS.
 - 5) THIS DRAWING SHOULD BE USED FOR DIMENSIONAL INFORMATION ONLY. IT IS ESSENTIAL THAT THIS DRAWING IS READ IN CONJUNCTION WITH INSTALLATION GUIDELINES P0033 (SUPPLIED WITH UNIT).
 - 6) STANDARD PIPE ORIENTATION SHOWN. FOR OTHER AVAILABLE OPTIONS SEE TDS0033.
 - 7) AN 88mm SOCKET CAN BE SUPPLIED AS AN OPTIONAL EXTRA. SEE TDS0033 FOR FURTHER DETAILS.
 - 8) AN 88mm SOCKET CAN BE SUPPLIED AS AN OPTIONAL EXTRA. SEE TDS0033 FOR FURTHER DETAILS.

Client MCABE DUNEY BARNES	Rev A	Date 03.04.18	Description NOTE ADDED	By AM	Chkd COB
Project Title HOUSING DEVELOPMENT AT STOCKING LANE, BALLYBODEN DUBLIN 16	Rev B	Date 29.04.19	Description DRAWING REVISION	By AM	Chkd COB
Project Title PETROL INTERCEPTOR SECTIONS & DETAILS	Rev C	Date 03.10.19	Description WANN AQUACELL & PEDESTAL PP ADDED	By AM	Chkd COB
Project Title HOUSING DEVELOPMENT AT STOCKING LANE, BALLYBODEN DUBLIN 16	Rev D	Date 20.07.20	Description WANN AQUACELL & PEDESTAL PP REMOVED	By AM	Chkd COB
Project Title NEW SUBMISSION	Rev E	Date 17.09.21	Description NEW SUBMISSION	By AM	Chkd COB

Architect MATT BARNES	Scale 1:25@A1	Date AUG 2017
Drawn A. WANN	Chkd C. O'BRIEN	Drawn No. 50-09
Drawn File PIPETROJECT1915049		Rev E

The Standard Civil Engineering Consulting 1, LITTLETON SQUARE WINDYBANK, DUBLIN 17 TEL: 01 451 8888 WWW.CONSTRUCTIVE.CO.UK E: info@constructive.co.uk	OBA CONSULTING CIVIL & STRUCTURAL ENGINEERS	Drawing No. C09
	Client MATT BARNES	Project Title PETROL INTERCEPTOR SECTIONS & DETAILS
	Scale 1:25@A1	Date AUG 2017
	Drawn A. WANN	Chkd C. O'BRIEN
	Drawn No. 50-09	Rev E

NOTES:

OUR CONSULTING CIVIL & STRUCTURAL ENGINEERS ARE NOT PROVIDING ANY DESIGN OR SPECIFICATION FOR THE MANUFACTURE OF ANY PRODUCTS OR MATERIALS. CONSULTANTS AND MUST NOT BE REPRODUCED WITHOUT THEIR WRITTEN CONSENT.

ALL DRAWINGS REMAIN THE PROPERTY OF THE CONSULTANTS.

FIGURED DIMENSIONS ONLY TO BE TAKEN FROM THIS DRAWING. ALL DIMENSIONS TO BE CHECKED ON SITE.

CONSULTANTS TO BE INFORMED OF ANY DISCREPANCIES BEFORE WORK COMMENCES.

GENERAL NOTE: PROTECTION TO BE USED IN ACCORDANCE WITH THE MANUFACTURERS SPECIFICATIONS IN LOCATIONS TO BE IDENTIFIED PRIOR TO CONSTRUCTION FOR THE PROTECTION OF TREES LOCATED IN CLOSE PROXIMITY TO PROPOSED EXCAVATIONS.