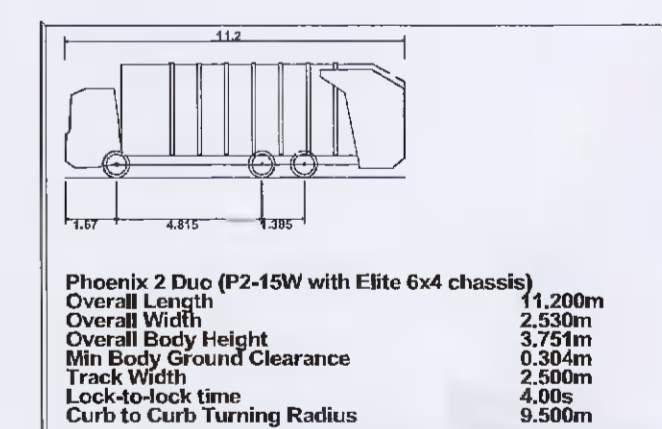


NOTES:
 MOLONY MILLAR CONSULTING CIVIL & STRUCTURAL ENGINEERS
 THIS DRAWING AND ANY DESIGN HEREON IS THE COPYRIGHT OF THE
 CONSULTANTS AND MUST NOT BE REPRODUCED WITHOUT THEIR WRITTEN
 CONSENT.
 ALL DRAWINGS REMAIN THE PROPERTY OF THE CONSULTANTS.
 FIGURED DIMENSIONS ONLY TO BE TAKEN FROM THIS DRAWING.
 ALL DIMENSIONS TO BE CHECKED ON SITE.
 CONSULTANTS TO BE INFORMED OF ANY DISCREPANCIES BEFORE WORK
 PROCEEDS.



AUTOTRACK 05 - PHOENIX DUO (P2-15W WITH ELITE 6x4 CHASSIS) - IN & OUT
 SCALE 1:250



Rev	Date	Description	By	Chkd
A	30.09.'21	DRAWING REVISED FOR FURTHER INFORMATION	CG	RG

Client GERRY TEAGUE		 MOLONY MILLAR Consulting Civil and Structural Engineers Riverbank House Ballyboden Road Rathfarnham Dublin 14 Ireland Tel (353-1) 4930211 email info@molonymillar.ie Web www.molonymillar.ie	
Project Title PROPOSED RESIDENTIAL DEVELOPMENT AT BALL ALLEY HOUSE, LEIXIP ROAD, LUCAN, CO. DUBLIN			
Drawing Title AUTOTRACKS 05 - 06 REFUSE TRUCK			
Architect CDP ARCHITECTS			
Scale 1:250@A1	Date SEPT 2021		
Drawn cc	Chkd rsg		
Cad File: SADRAWINGS\930-34\AUTOTRACKS			
Drawing Status	Job Number	Drawing Number	Revision
F.I.	930-344	AT02	A