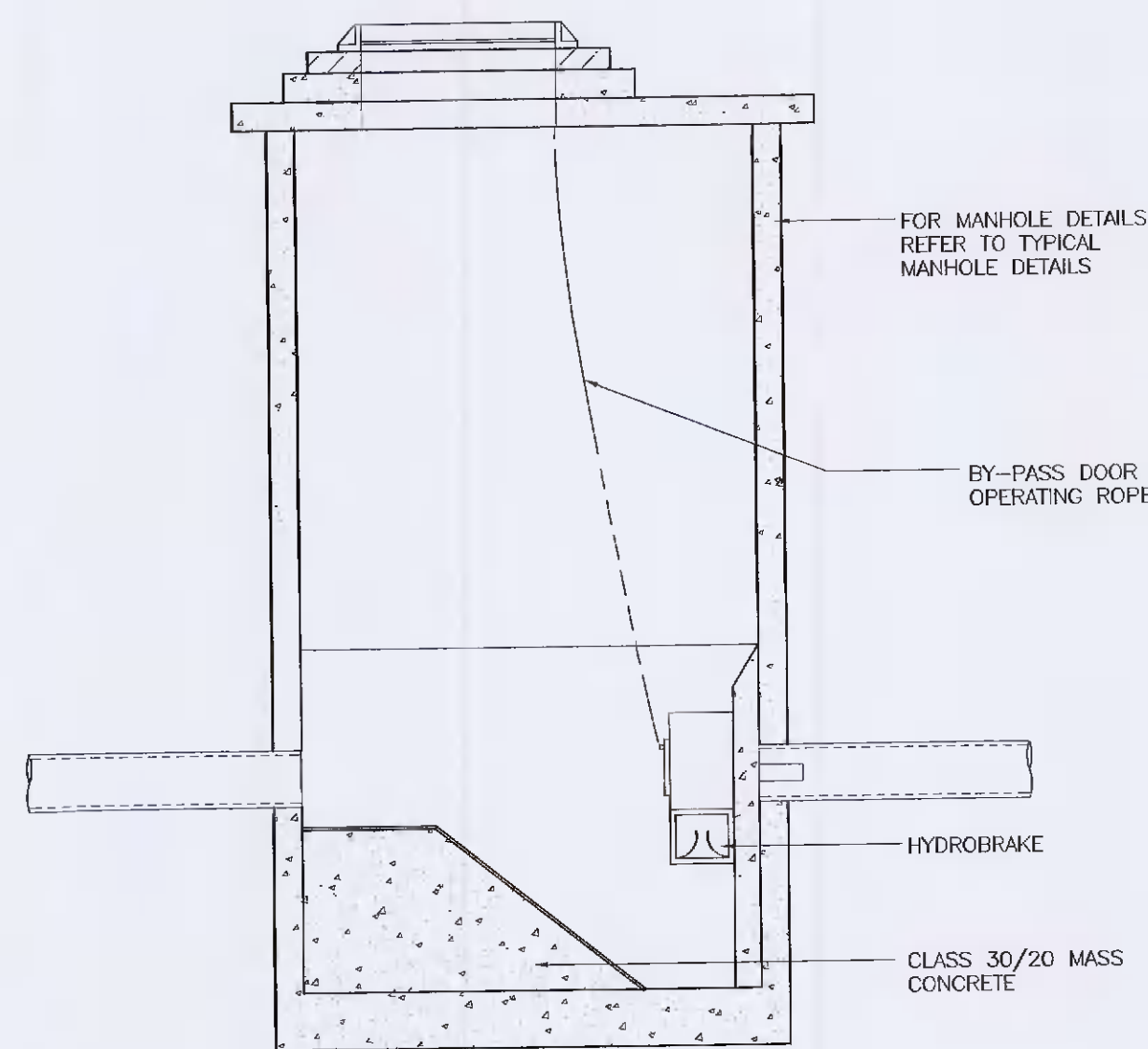


NOTES:  
MOLONY MILLAR CONSULTING CIVIL & STRUCTURAL ENGINEERS  
THIS DRAWING AND ANY DESIGN HEREON IS THE COPYRIGHT OF THE  
CONSULTANTS AND MUST NOT BE REPRODUCED WITHOUT THEIR WRITTEN  
CONSENT.

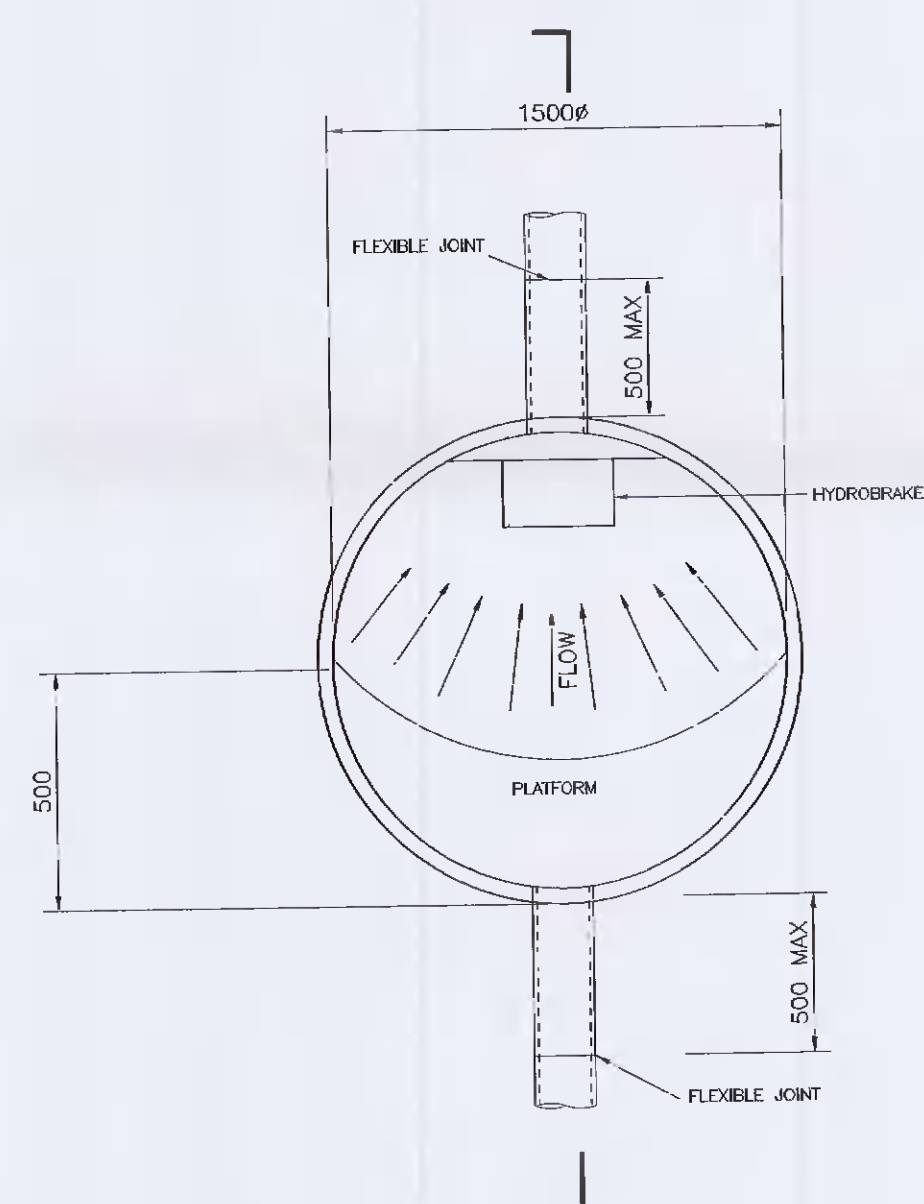
ALL DRAWINGS REMAIN THE PROPERTY OF THE CONSULTANTS.

FIGURED DIMENSIONS ONLY TO BE TAKEN FROM THIS DRAWING.  
ALL DIMENSIONS TO BE CHECKED ON SITE.

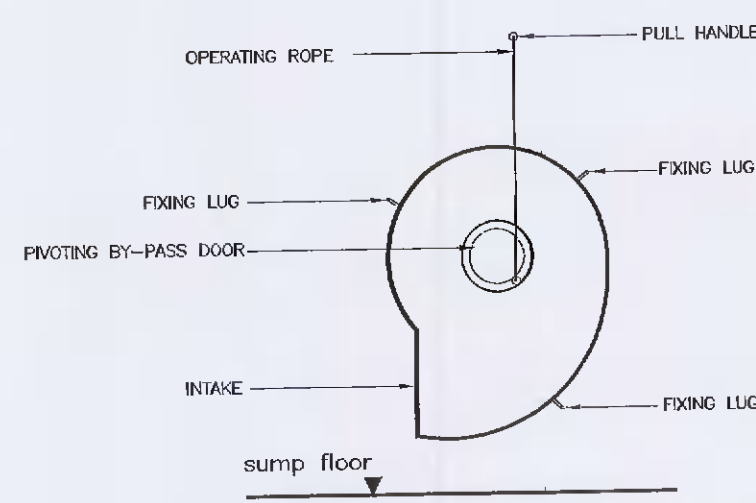
CONSULTANTS TO BE INFORMED OF ANY DISCREPANCIES BEFORE WORK  
PROCEEDS.



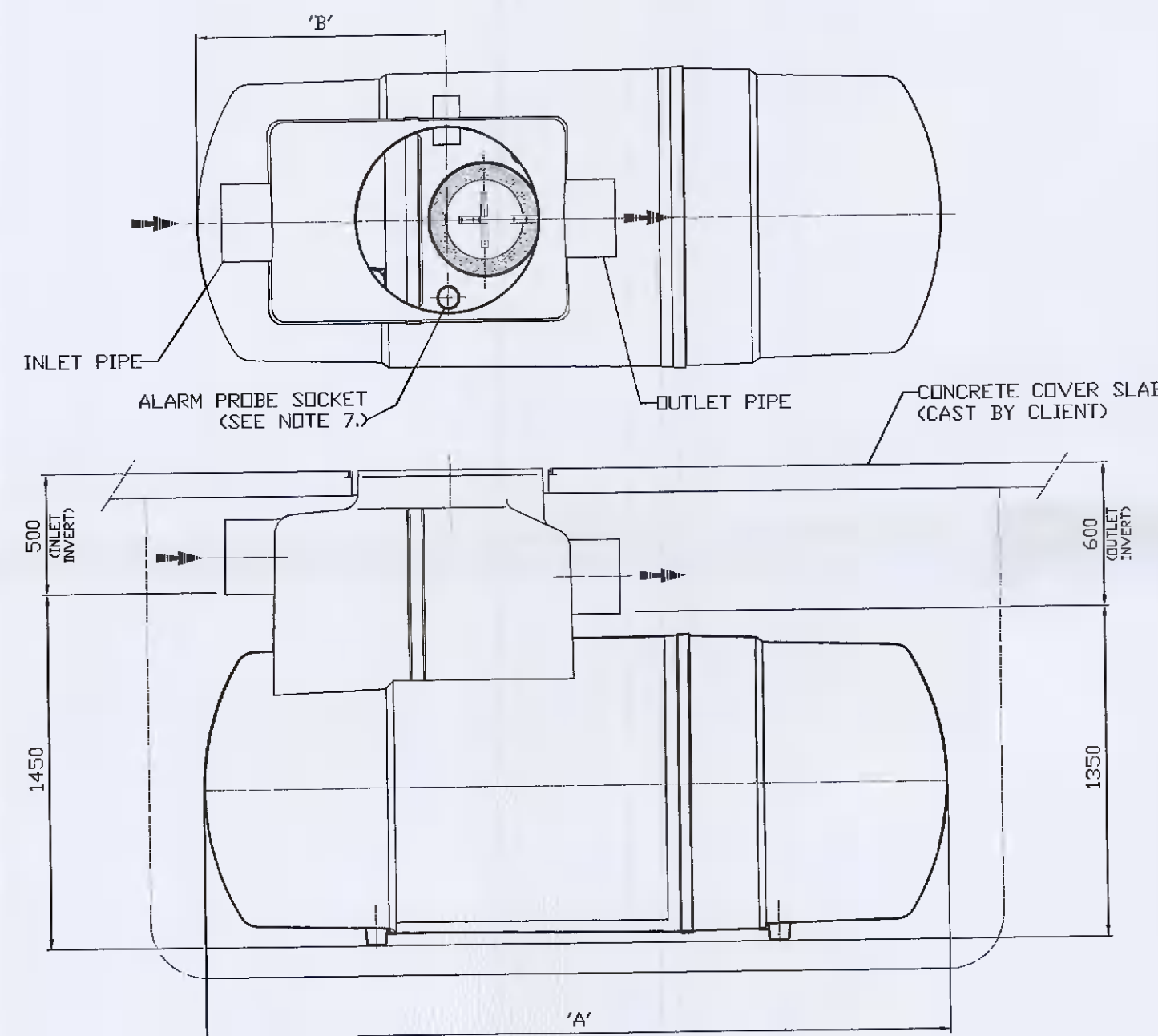
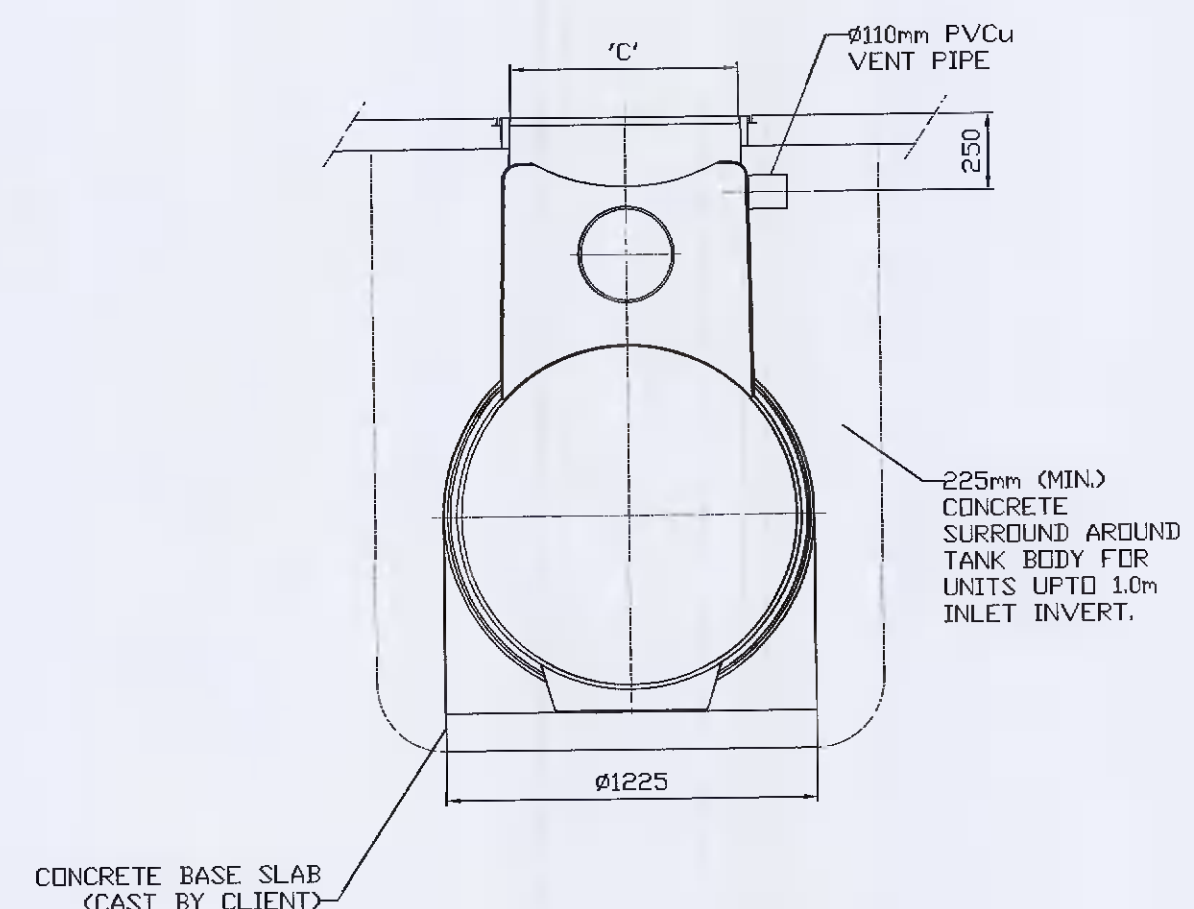
SECTION THRU  
HYDROBRAKE MANHOLE  
SCALE 1:25



PLAN ON HYDROBRAKE  
MANHOLE  
SCALE 1:25



FRONT VIEW OF HYDROBRAKE  
SHOWING CORRECT ORIENTATION



DIMENSIONS

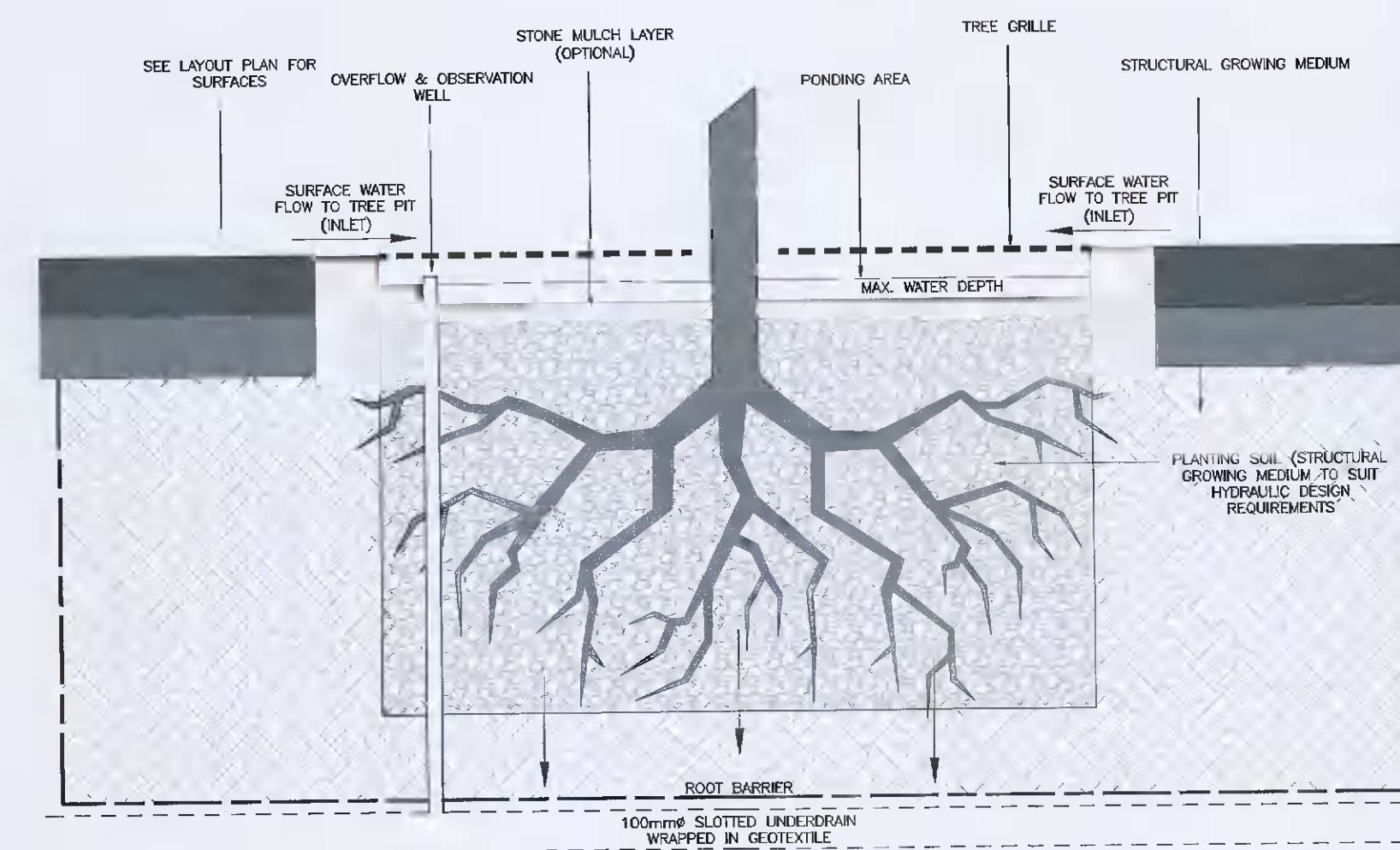
UNIT REF No.	NOMINAL FLDW	DIM 'A'	DIM 'B'	DIM 'C'	STD. PIPE Ø	APPROX. EMPTY WEIGHT (KG)	FALL ACROSS UNIT
NSB3	3 L/S	1765	850	600	160	145	100
NSB4	4.5 L/S	1765	850	600	200	145	100
NSB6	6 L/S	1765	850	750	200	160	100
NSB8	8 L/S	3065	1030	750	225	210	100
NSB10	10 L/S	3915	1030	750	300	240	100
NSB12	12 L/S	3915	1030	750	300	240	100
NSB15	15 L/S	3915	1560	750	300	240	100

NOTES:-

- 1) INLET / OUTLET PIPES ARE PLAIN PVCu.
- 2) PLEASE NOTE A CLASS 1 BYPASS SEPARATOR INCLUDES A COALESCER, CLASS 2 BYPASS SEPARATORS DO NOT.
- 3) EXTENSION NECKS FOR DEEPER INVERT CAN BE PROVIDED IN 0.5m INCREMENTS FOR ON SITE ASSEMBLY. SEE DRAWING DS0616 FOR FURTHER DETAILS.
- 4) ALL UNITS REQUIRE APPROPRIATE COVER AND FRAME TO SUIT APPLIED LOADINGS.
- 5) THIS DRAWING SHOULD BE USED FOR DIMENSIONAL INFORMATION ONLY. IT IS ESSENTIAL THAT THIS DRAWING IS READ IN CONJUNCTION WITH INSTALLATION GUIDELINES PD0313 (SUPPLIED WITH UNIT).
- 6) STANDARD PIPE ORIENTATION SHOWN. FOR OTHER AVAILABLE OPTIONS SEE TDS0033.
- 7) AN Ø82mm SOCKET CAN BE SUPPLIED AS AN OPTIONAL EXTRA TO HOUSE AN OIL ALARM PROBE. SEE DRAWINGS DS0591 & PD0323 FOR FURTHER DETAILS.

PETROL INTERCEPTOR

SCALE 1:25



SECTION THRU TREE PIT  
SCALE 1:25

Legend - Green Roof Build Up.

- Precultivated Sedum Blanket.
- Extensive Roof Garden Soil Mix 50mm.
- VLF150 Filtration Fleece 1.5mm thick.
- DE25 Drainage & Reservoir Layer 25mm.
- VLU300 Protective / Reservoir Fleece 2.5mm.
- 4mm Unosint Root Resistant Cap Sheet.
- 4MM TGP/S Base Sheet.
- 100mm Paratorch Insulation Board.
- 2mm Vapobar Vapour Control Layer.

IMPORTANT NOTE:  
The combined thickness of all the elements used in the green roof build up, from top of decking to top of soil layer is 215mm.  
Sedum plants will typically reach heights of 100 - 150mm.

Rev	Date	Description	By	Chkd
C	15.09.21	ATTENUATION TANK DELETED, TREE PIT ADDED	AM	RG
B	07.09.21	SECTION SHOWING SEDUM GREEN ROOF BUILD UP ADDED	AM	RG
A	22.06.21	SW ATTENUATION REVISED	AM	RG

Client  
**GERRY TEAGUE**

Project Title  
**PROPOSED RESIDENTIAL DEVELOPMENT AT BALL ALLEY HOUSE, LEXLIP ROAD, LUCAN, CO. DUBLIN**

Drawing Title  
**SURFACE WATER TREE PITS, PETROL INTERCEPTOR GREEN ROOF & HYDROBRAKE DETAILS**

Architect  
**CDP ARCHITECTS**

Scale AS SHOWN@A1 Date JUNE 2021

Drawn AM Chkd RG

Cad File S:\DRAWINGS\

**MOLONY MILLAR**  
Consulting Civil and Structural Engineers

Riverbank House  
Ballyboden Road  
Rathfarnham  
Dublin 14  
Ireland

Tel (353-1) 4930211  
Fax (353-1) 4830215

email info@molonymillar.ie  
Web www.molonymillar.ie