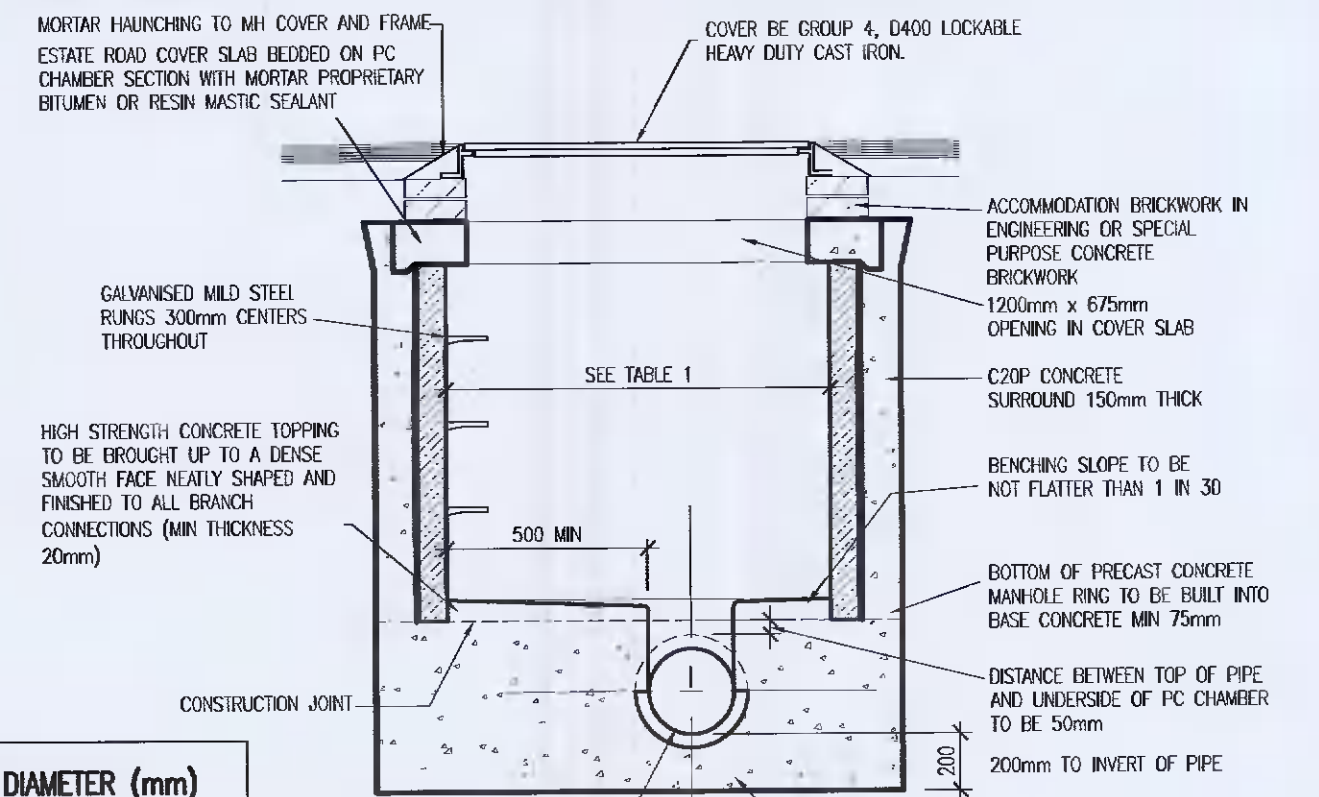


NOTE: ALL CONCRETE TO BE SULPHATE RESISTANT

DIAMETER OF LARGEST PIPE IN MANHOLE (mm)	CHAMBER SECTION DIAMETER (mm)
LESS THAN 375	1200 (1050 WHERE DEPTH TO SOFFIT IS 1.35m - 1.5m)
375 - 450	1350
450 - 700	1500
700 - 900	1800

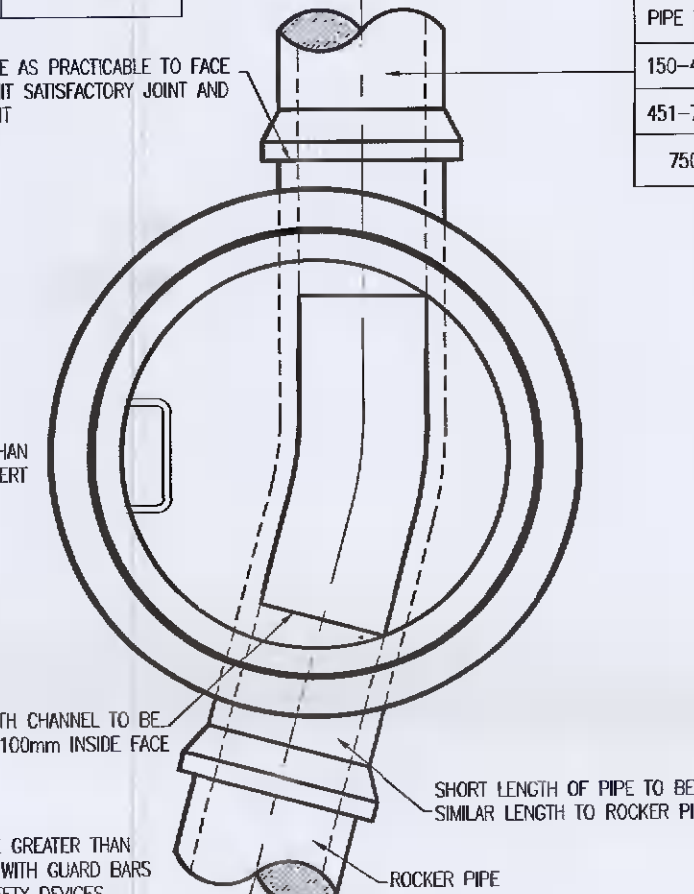


TYPICAL MANHOLE DETAIL - TYPE E
DEPTH TO SOFFIT 1.0 TO 1.35m
SCALE 1:25

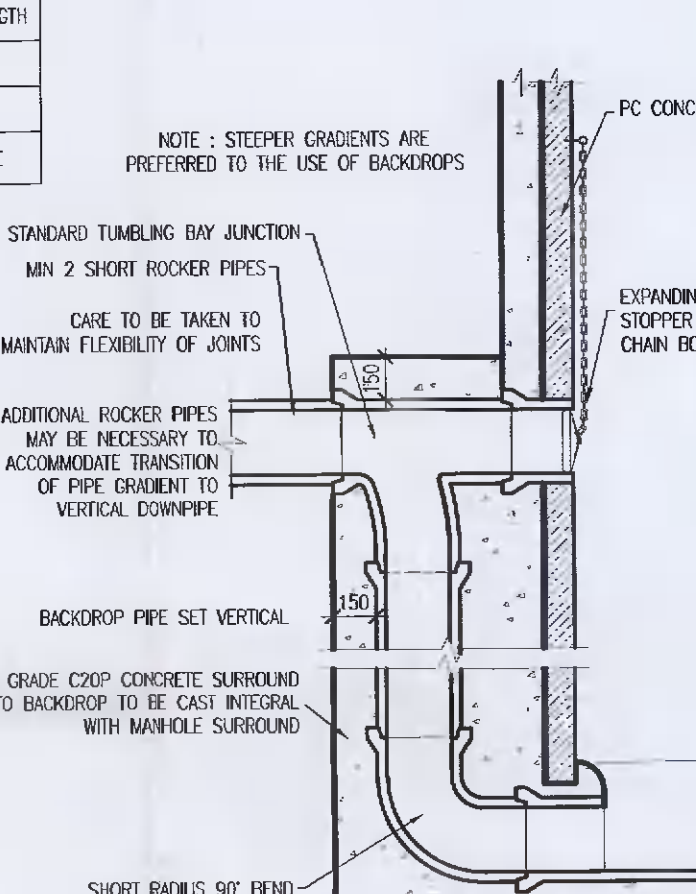
TYPICAL MANHOLE DETAIL - TYPE F
DEPTH TO SOFFIT LESS THAN 1.0m
SCALE 1:25

TYPE 2 GRANULAR MATERIAL:

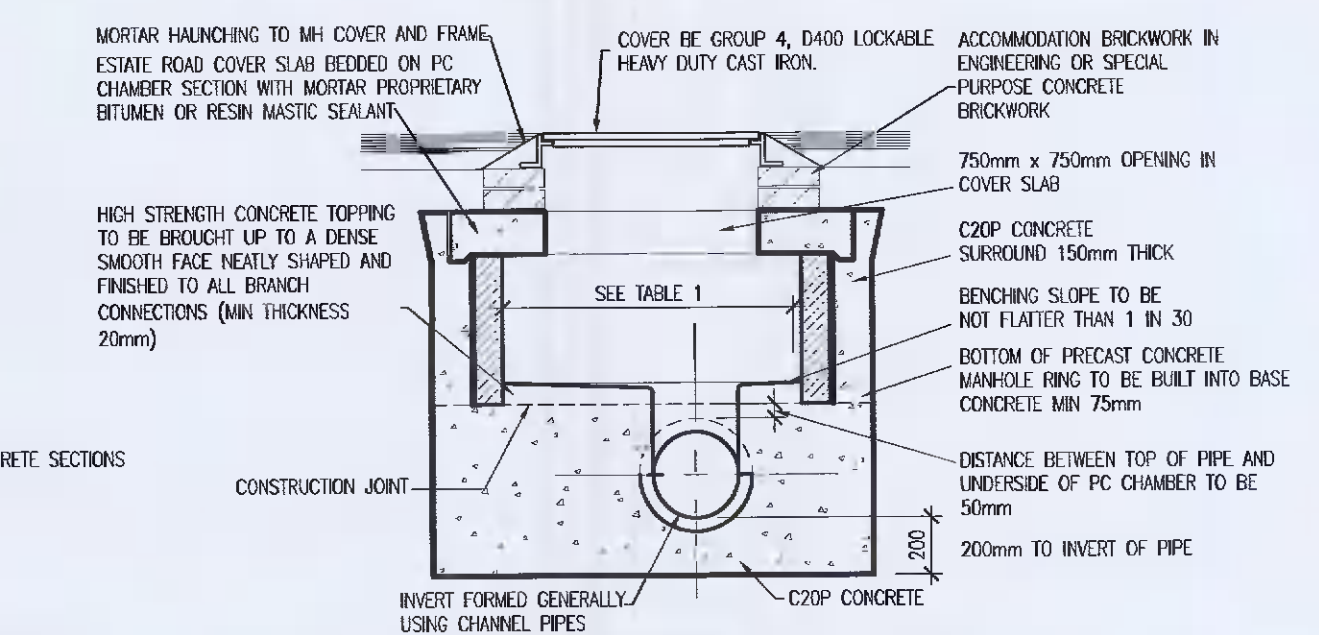
PIPE SIZE	100% PASSING
UP TO 225mm	10mm SIEVE
225 TO 450mm	20mm SIEVE
450 TO 750mm	25mm SIEVE



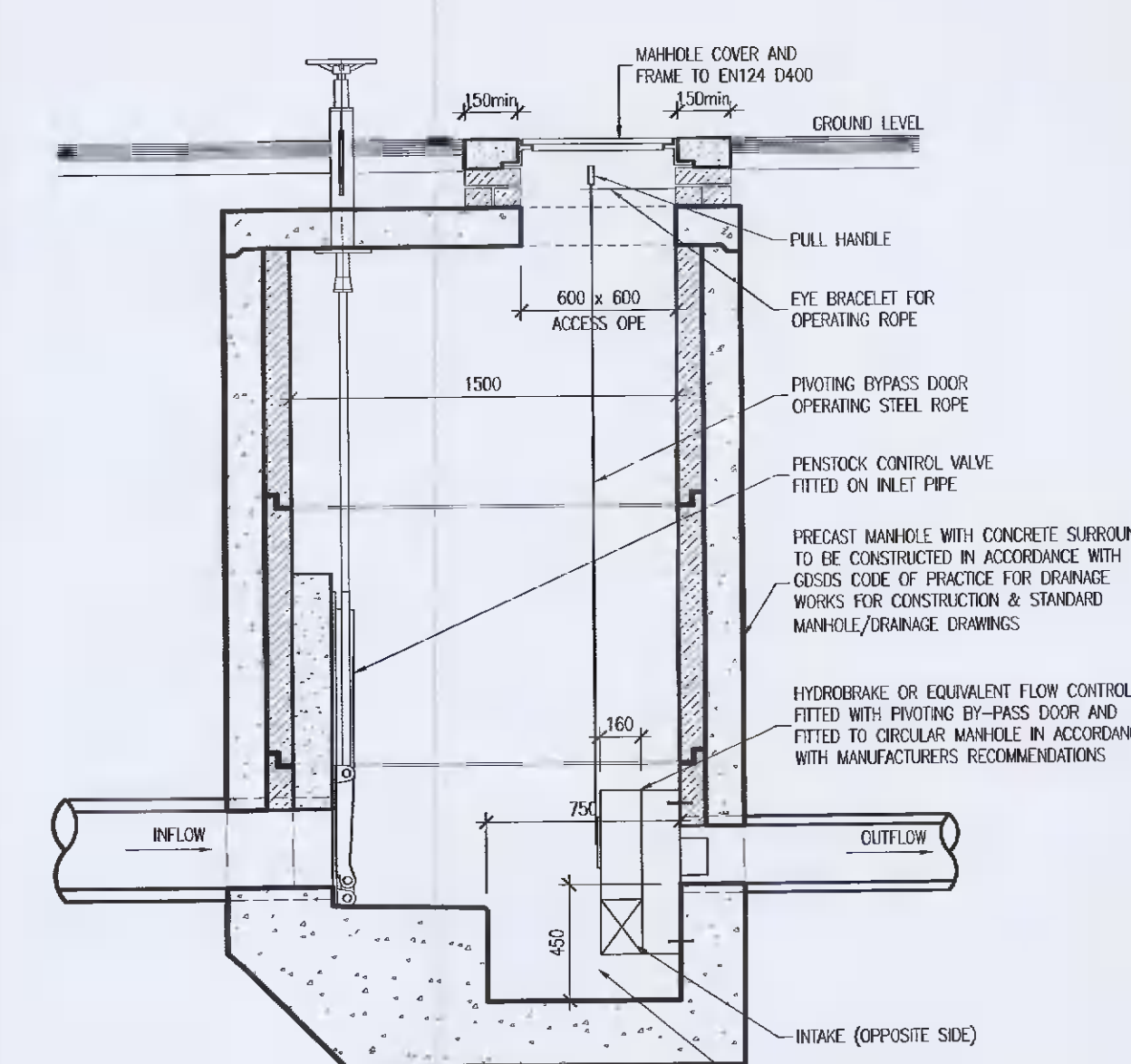
TYPICAL MANHOLE DETAIL - TYPE B
DEPTH TO SOFFIT 1.35 TO 3m
SCALE 1:25



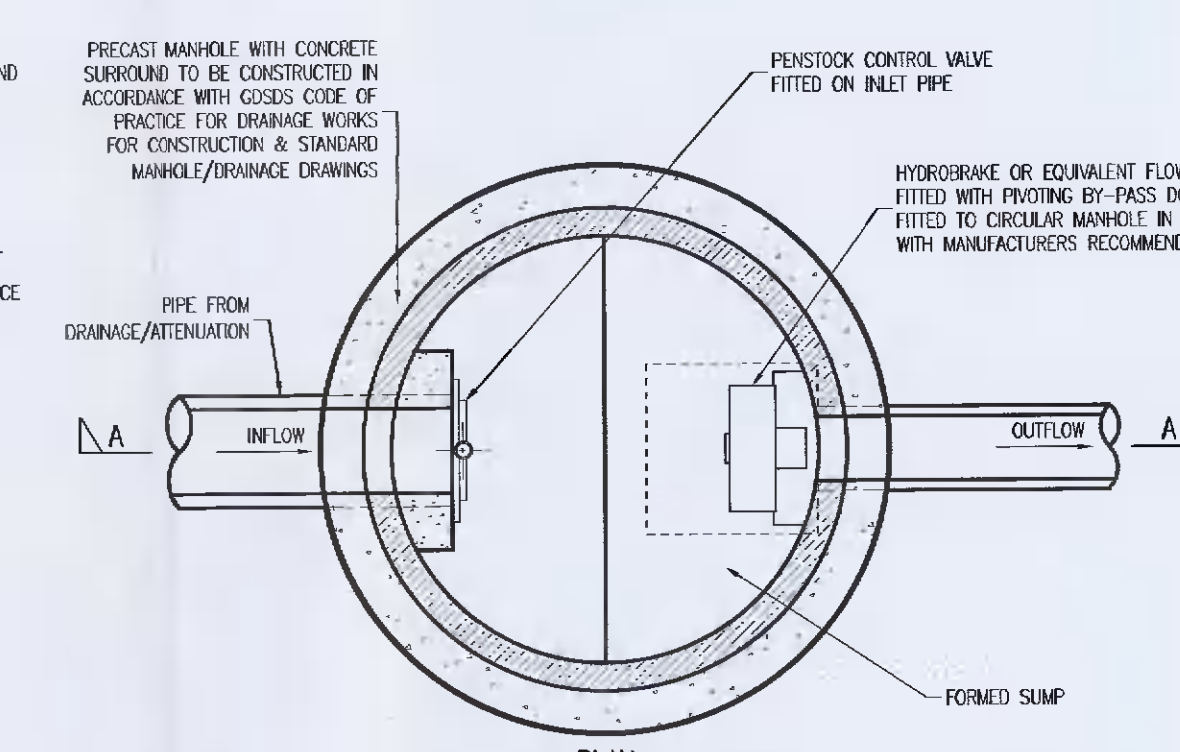
TYPICAL VERTICAL BACKDROP DETAIL
SCALE 1:25



RIGID PIPES: SURROUND
TYPE Z
CONCRETE BEDDING/SURROUND (COVER 750mm - 1200mm)
SCALE 1:25



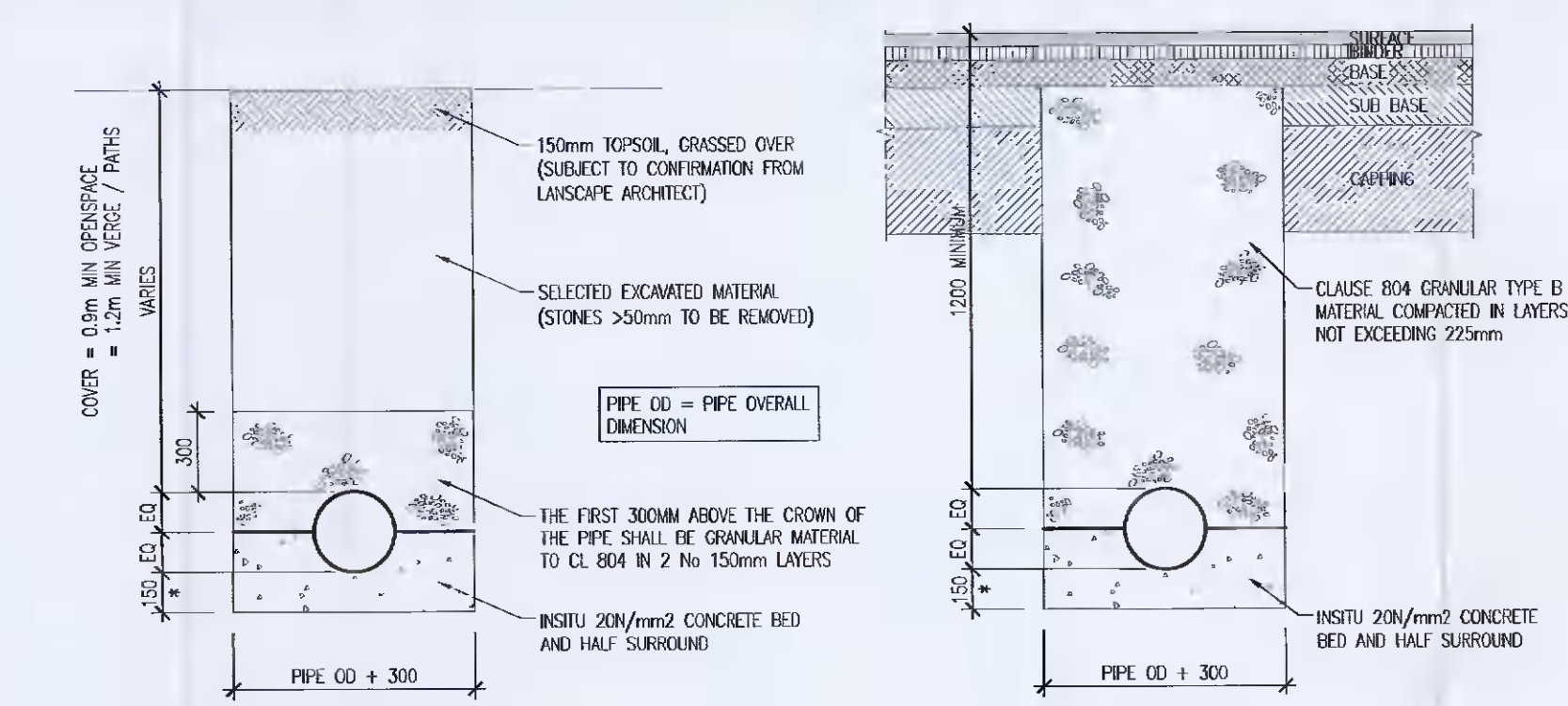
SECTION A-A
FLOW CONTROL MANHOLE DETAIL
SCALE 1:25



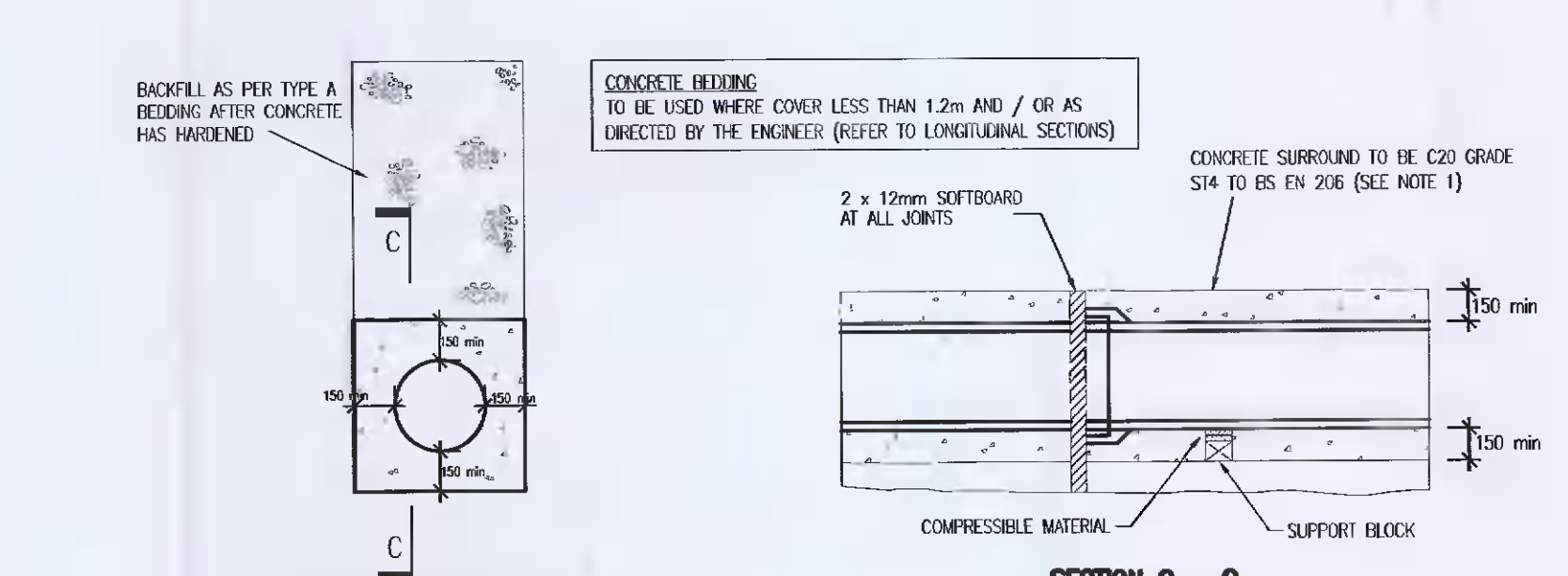
PETROL INTERCEPTOR
SCALE 1:25

PLAN

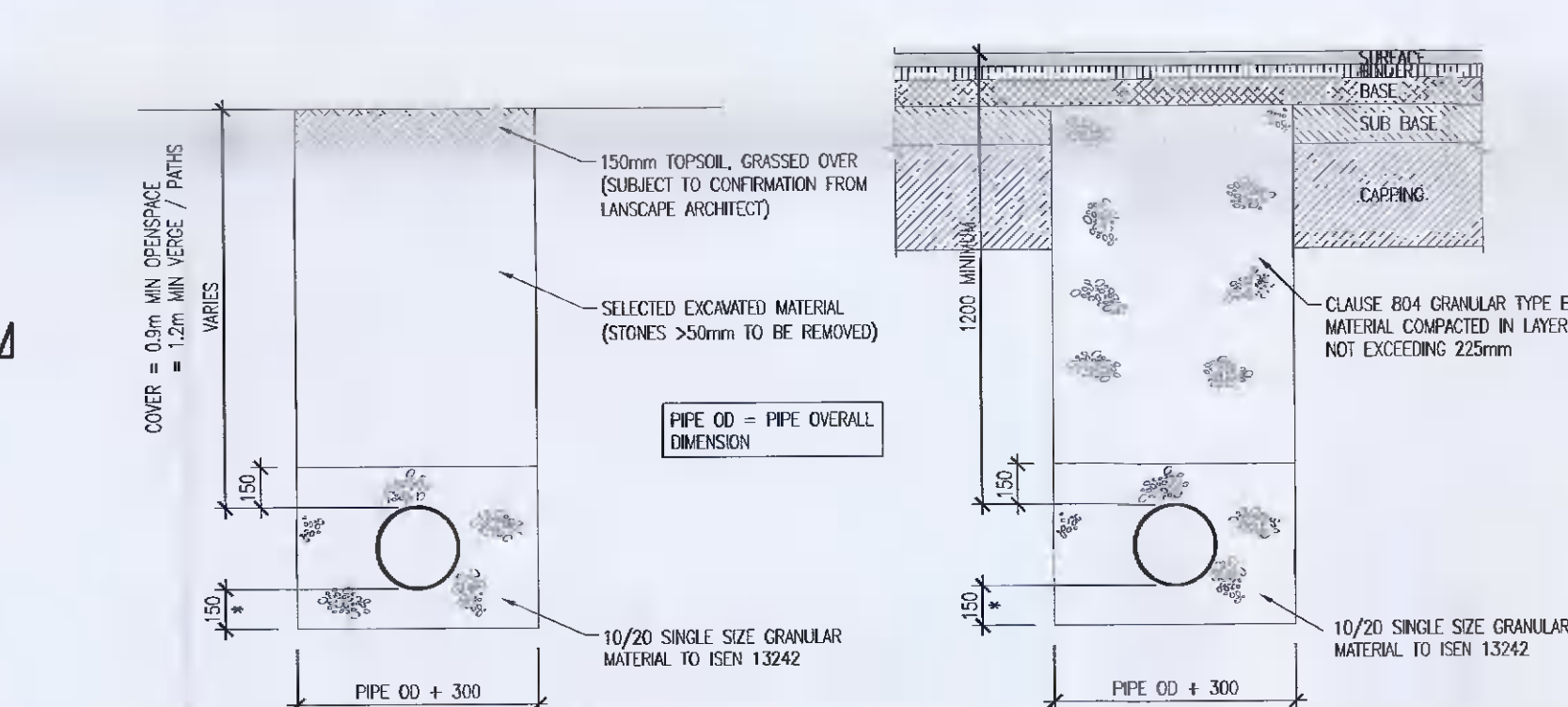
UNIT REF. No.	NOMINAL FLOW	DN 'X'	DN 'Y'	STD. PIPE	APPROX. EMPTY WEIGHT (KG)	FULL ACCESS UNIT
NSR0003	3 L/S	1765	850	160	145	100
NSR0004	4.5 L/S	1765	850	200	160	100
NSR0006	6 L/S	1765	850	200	160	100
NSR0008	8 L/S	3065	1560	250	210	100
NSR0010	10 L/S	3065	1560	315	210	100
NSR0012	12 L/S	3915	1560	315	240	100
NSR0015	15 L/S	3915	1580	315	240	100



A - BEDDING DETAIL
ACROSS OPENSAPCE (SIMILAR)
TYPE A
(COVER > 1.2 METRES TO CROWN, RIGID PIPES)
SCALE 1:25



RIGID PIPES: SURROUND
TYPE Z
CONCRETE BEDDING/SURROUND (COVER 750mm - 1200mm)
SCALE 1:25



A - BEDDING DETAIL
ACROSS OPENSAPCE (SIMILAR)
TYPE S
(COVER > 1.2 METRES TO CROWN, FLEXIBLE PIPES)
SCALE 1:25

- LIST OF IRISH WATER WASTEWATER STANDARD DETAILS BROUGHT INTO THE CONTRACT**
- STD-WW-02 TYPICAL LAYOUT FOR SEWER WITHIN NEW DEVELOPMENT
 - STD-WW-03 DRAIN AND SERVICE CONNECTION PIPEWORK
 - STD-WW-04 TYPICAL SEWER/SERVICE PIPE CONNECTION
 - STD-WW-05 TYPICAL SERVICE LAYOUT INDICATING SEPARATION DISTANCES
 - STD-WW-06 RESTRICTIONS ON TREES/SHRUBS PLANTING ADJACENT TO SEWERS
 - STD-WW-07 TRENCH BACKFILL & BEDDING
 - STD-WW-08 CONCRETE BED, HAUNCH & SURROUND TO WASTEWATER PIPES
 - STD-WW-09 BLOCKWORK MANHOLE (<450mm)
 - STD-WW-10 PRE-CAST CONCRETE MANHOLE
 - STD-WW-11 IN-SITU CONCRETE MANHOLE
 - STD-WW-12 BACKDROP MANHOLES
 - STD-WW-13 PRIVATE SIDE INSPECTION CHAMBER
 - STD-WW-14 THRUST BLOCKS FOR RISING MAINS
 - STD-WW-15 SCOUR VALVE CHAMBER (FOUL RISING MAIN <200mm)
 - STD-WW-16 SLURGE VALVE DETAILS FOR RISING MAINS DUCTILE IRON (D.I.) PIPE (<200mm)(SHEET 1 OF 2)
 - STD-WW-17 SLURGE VALVE DETAILS FOR RISING MAIN POLYETHYLENE (PE) PIPE (<200mm)(SHEET 2 OF 2)
 - STD-WW-18 AIR VALVE CHAMBER (FOUL RISING MAIN <200mm)
 - STD-WW-19 DUCT CHAMBER
 - STD-WW-20 EMERGENCY OVERFLOW STRUCTURE
 - STD-WW-21 TYPICAL DITCH/STREAM CROSSING FOR GRAVITY MAIN (SHEET 1 OF 2)
 - STD-WW-22 TYPICAL DITCH/STREAM CROSSING FOR RISING MAIN (SHEET 2 OF 2)
 - STD-WW-23 TYPICAL BRIDGE CROSSING FOR RISING MAIN (SHEET 1 OF 2)
 - STD-WW-24 TYPICAL BRIDGE CROSSING FOR RISING MAIN (SHEET 2 OF 2)
 - STD-WW-25 SECURITY GATE & FENCING
 - STD-WW-26 INDICATIVE PUMPING STATION LAYOUT
 - STD-WW-27 FLOW METER CHAMBER (FOUL RISING MAIN <200mm)
 - STD-WW-28 INDICATIVE SUBMERSIBLE PUMPING STATION
 - STD-WW-29 INDICATIVE PRE-CAST CONCRETE SUBMERSIBLE PUMPING STATION
 - STD-WW-29 RISING MAIN EXCHANGE MANHOLE
 - STD-WW-30 KIOSK TYPE 1 PUMPING STATION & WET KIOSK (SHEET 1 OF 2)
 - STD-WW-31 KIOSK TYPE 2 + 3 PUMPING STATION & WET KIOSK (SHEET 2 OF 2)
 - STD-WW-32 HABITAT/STANDING AREA PUMPING STATION (PERMEABLE & IMPERMEABLE)
 - STD-WW-33 LAMP BOLLARD & LAMP STANDARD
 - STD-WW-34 VENT STACK

NOTES

- ALL WORKS TO COMPLY WITH THE CURRENT BUILDING REGULATIONS, WATER BYELAWS AND LOCAL AUTHORITY REQUIREMENTS.
- ALL SEWERS SHALL BE PRESSURE TESTED PRIOR TO BACKFILLING.
- TYPE 1 GRANULAR MATERIAL: BROKEN STONE OR GRAVEL TO PASS 10mm SIEVE AND BE RETAINED ON 5mm SIEVE.
- TYPE 2 GRANULAR MATERIAL: BROKEN STONE OR GRAVEL TO PASS 10mm - 25mm SIEVE, ACCORDING TO PIPE SIZE, (SEE TABLE) AND BE RETAINED ON 5mm SIEVE.
- TYPE 3 SELECTED FILL: UNIFORM READILY COMPACTED MATERIAL FREE FROM TREE ROOTS, VEGETABLE MATTER, BUILDING DEBRIS, AND FROZEN SOIL AND EXCLUDING CLAY LUMPS RETAINED ON A 75mm SIEVE AND STONES RETAINED ON A 37.5mm SIEVE.
- RIGID PIPES SHALL MEAN CAST OR SPUN IRON, CONCRETE OR CLAY.

Rev	Date	Description	By	Chk
P	02/08/21	ISSUED FOR PLANNING	SM	SJ

PLANNING

gdcl
CONSULTING ENGINEERS

Scope House, Ferrytown, Dublin D12 K8P9
75 Shelton Street, Covent Garden, London WC2H 9JQ
www.gdclconsulting.com

PROJECT: Silver Granite, Palmerstown

CLIENT: Hollyville Investments Ltd.

DRAWING TITLE: Typical Construction Details Sheet 2

dm. by:	date:	scale:
SM	APR'21	As Shown
drawing size: A1	chk: SJ	app: GD
job no:	dra. no:	rev:
P-2012	P-2012-C-107	P

NOT FOR CONSTRUCTION