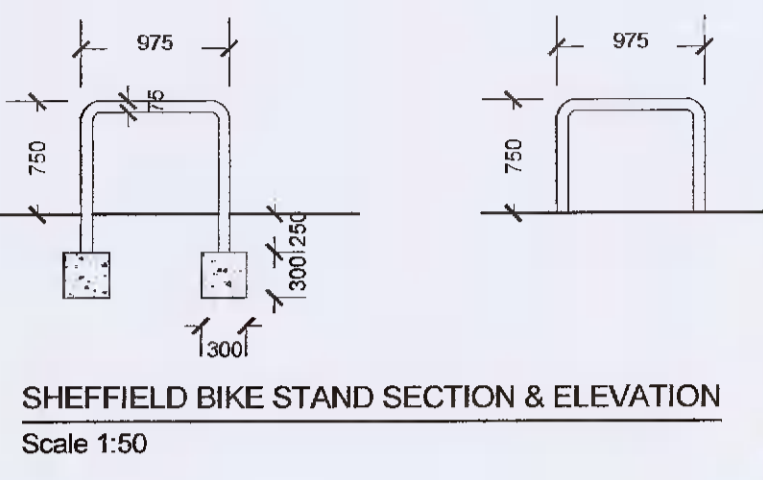
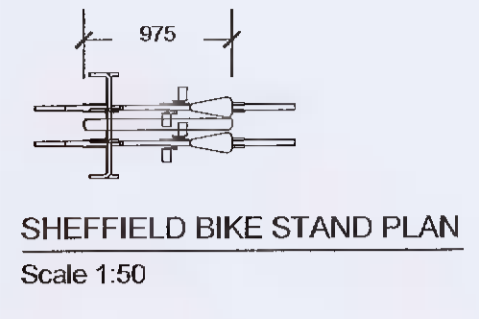


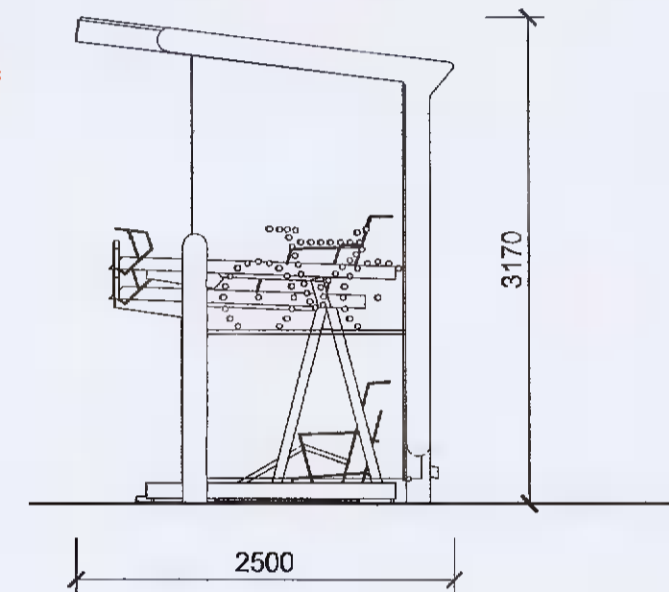
GENERAL NOTES:
 ** Do not scale from this drawing
 ** Use figured dimensions only
 © This drawing is copyright. No part of this document may be reproduced or transmitted in any form or placed in any retrieval system from the copyright holder, except as agreed for use on a project, for which the document was originally issued.



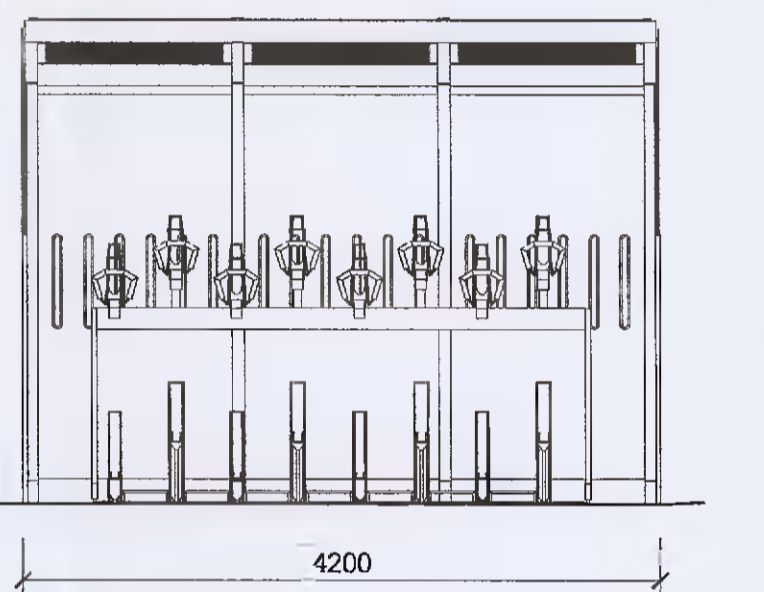
PROPOSED SITE LAYOUT - GROUND FLOOR PLAN
 SCALE 1:200



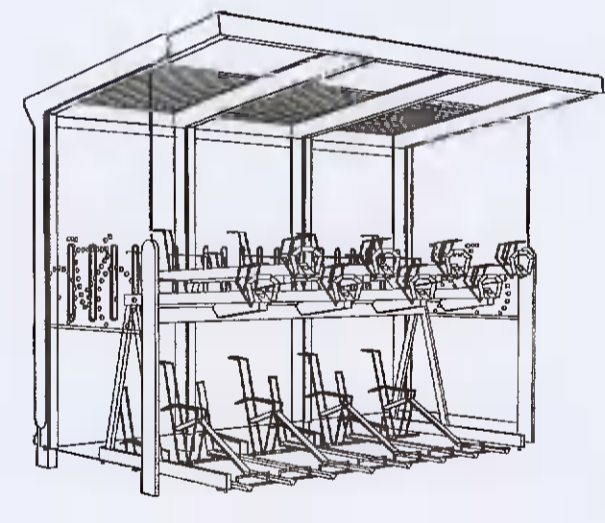
Reference: Auroo Vero mmcite.com



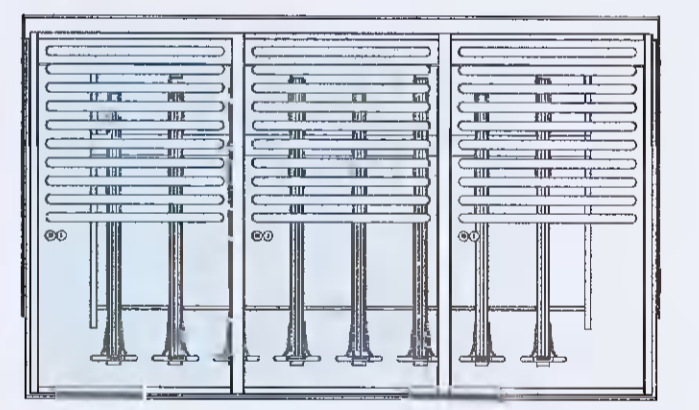
PROPOSED BIKE SHELTER - SIDE ELEVATION
 SCALE 1:50



PROPOSED BIKE SHELTER - FRONT ELEVATION
 SCALE 1:50



PROPOSED BIKE SHELTER - 3D
 SCALE 1:50



PROPOSED BIKE SHELTER - ROOF PLAN
 SCALE 1:50

reference: AE-V360-02-SS-AUREO VELO
 mmcite.com

TOTAL BICYCLES SPACES No. 128
 No. 96 - BIKE SPACES INSIDE THE BUILDING FOR RESIDENTS
 No. 32 - BIKE SPACES PROVIDED IN PUBLIC SPACE (16 SHELTERED AND 16 OUTDOOR)



PROPOSED BICYCLES RACK

Reference: Josta® 2-tier High Capacity Rack

PLANNING

Rev	Initial	Date	Revision Description

downey PLANNING & ARCHITECTURE		RIA	
1 Westland Sq, Pearse Street, Dublin 2, Ireland - Tel: +353 (0) 1 253 0220 - www.dpsa.ie			
CLIENT	HOLLYVILLE INVESTMENTS Ltd.	SCALE @ A1	AS SHOWN
PROJECT	PROPOSED MIXED-USE SCHEME, SILVER GRANITE SITE, PALMERSTOWN, DUBLIN 20	DRAWN BY	PM
DWG TITLE	PROPOSED BIKE SHELTER & BIKE-OUTDOOR	CHECKED BY	SW
		DATE	20/08/2024
		REVISION	PL-400