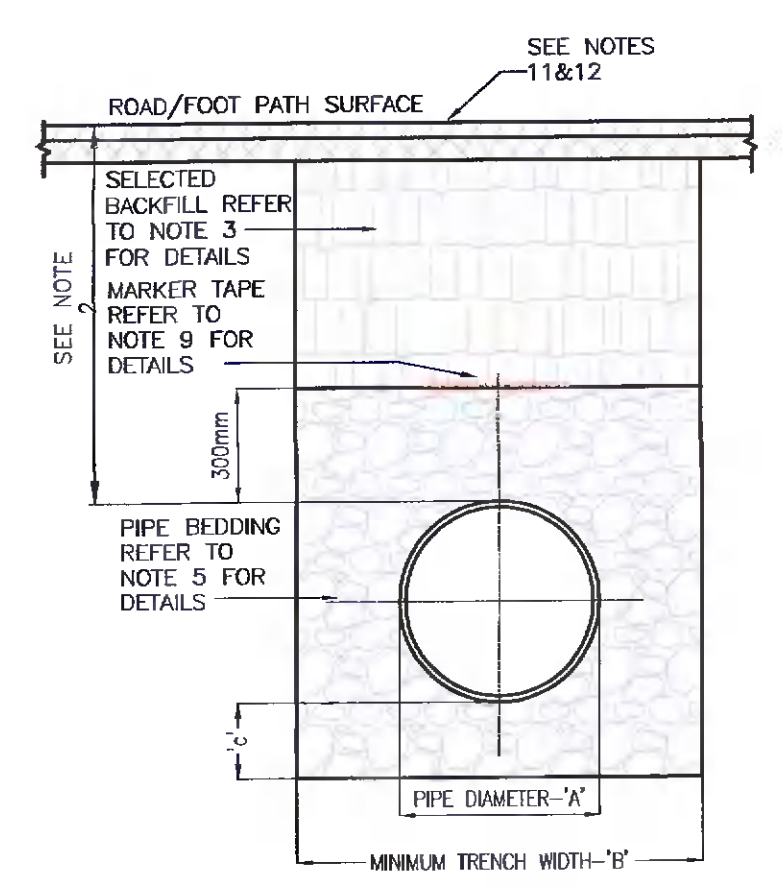


DRAIN AND SERVICE CONNECTION PIPEWORK

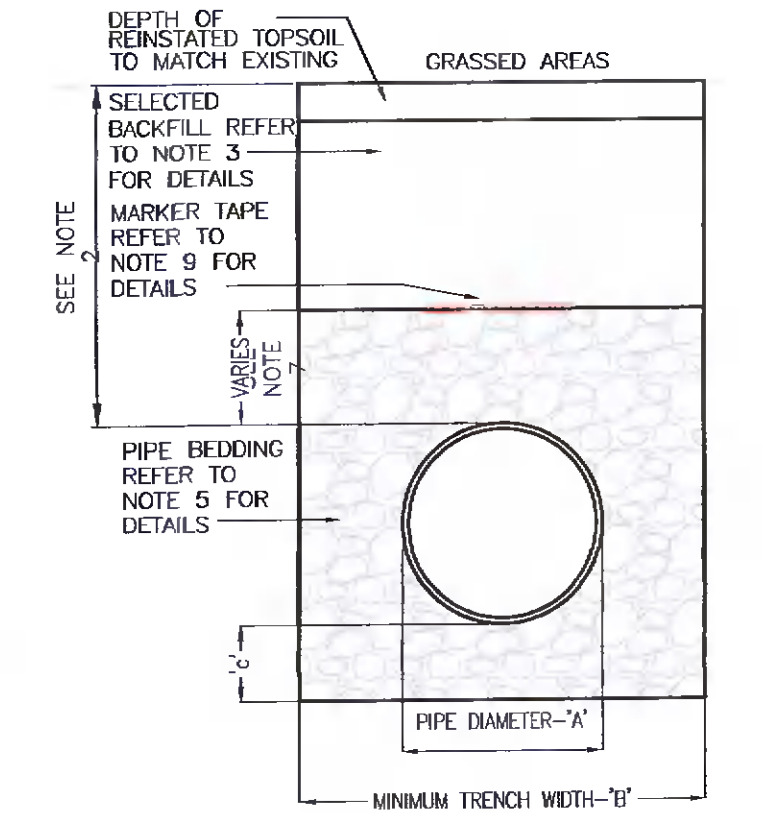
	SEPARATION DISTANCES BETWEEN SERVICE CONNECTION ABOVE & IRISH WATER PIPE BELOW	SEPARATION DISTANCES BETWEEN SERVICE CONNECTION BELOW & IRISH WATER PIPE ABOVE IF PIPE IS 100mmØ OR LESS	SEPARATION DISTANCES BETWEEN SERVICE CONNECTION BELOW & PIPE ABOVE & PIPE BELOW	SEPARATION DISTANCES BETWEEN NETWORK SEWER BELOW & PIPE ABOVE	SEPARATION DISTANCES BETWEEN NETWORK SEWER BELOW & PIPE BELOW
NON-TRAFFICKED AREAS	100mm	100mm	150mm	PIPE BEDDING DEPTH OF THE UPPER PIPE	PIPE BEDDING DEPTH OF THE PIPE BELOW
TRAFFICKED AREAS	150mm	150mm	150mm	300mm	300mm

**SEPARATION DISTANCES FOR WASTEWATER SERVICE CONNECTION TO OTHER UTILITY WATER SERVICES WILL BE AS SHOWN, AS A MINIMUM, AND MAY BE INCREASED IF REQUIRED BY THE OTHER UTILITY COMPANY

WASTEWATER SERVICE CONNECTION VERTICAL SEPARATION DISTANCES



CROSS SECTION IN ROADWAYS

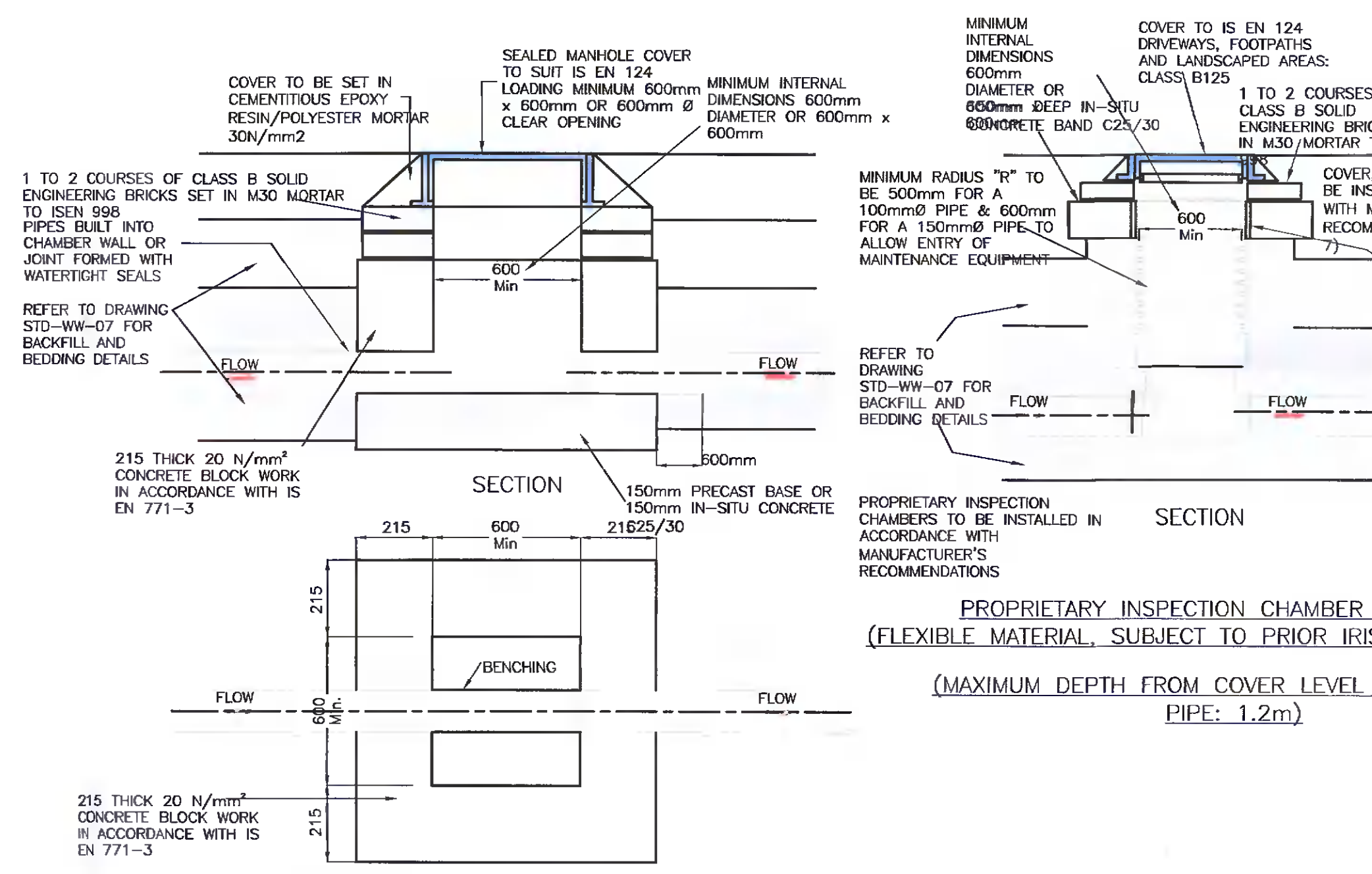


CROSS SECTION IN GRASSED AREAS

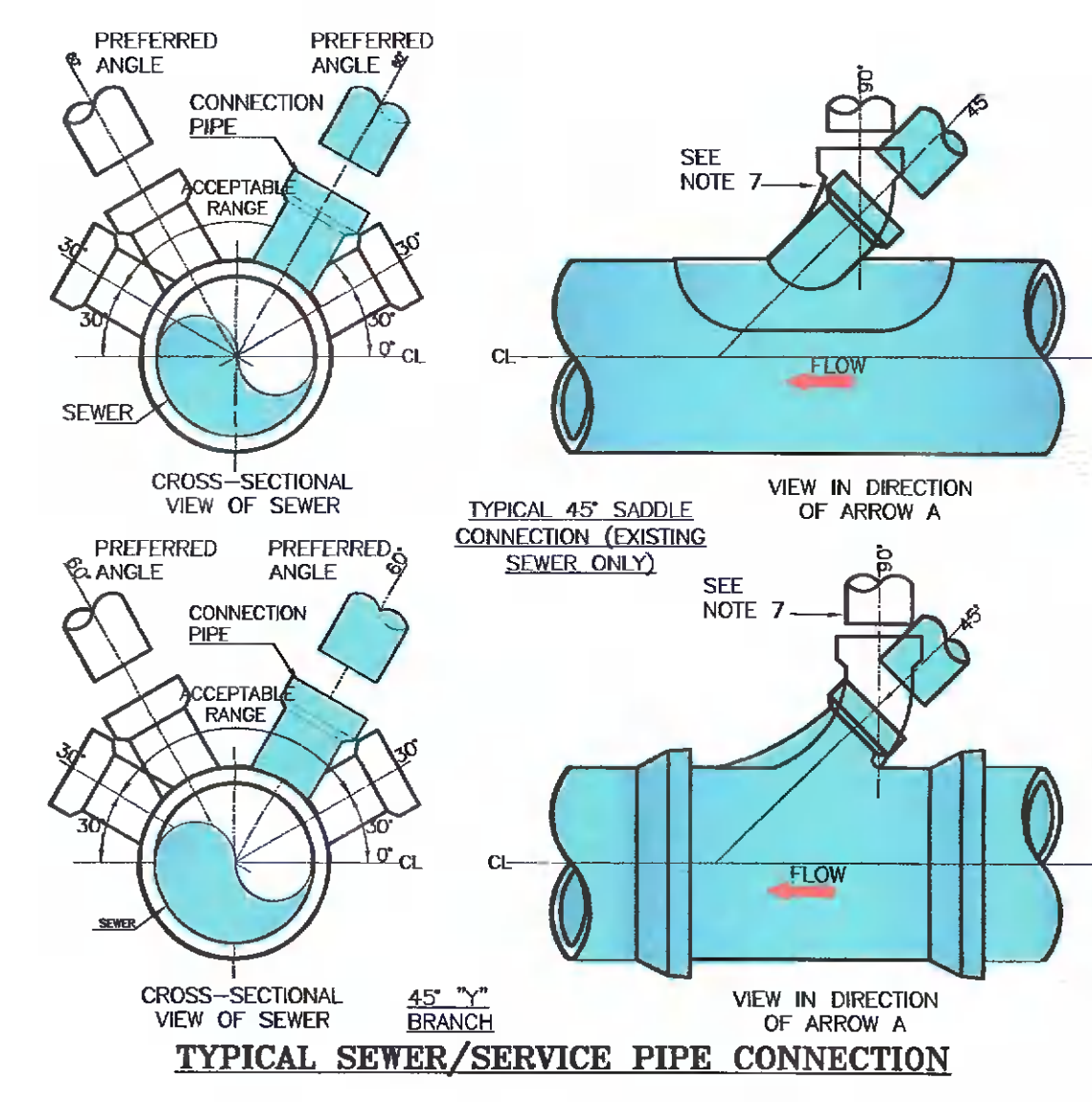
TRENCH BACKFILL AND BEDDING FOR FOUL SEWERS

PIPE DIAMETER 'A' (mm)	TRENCH WIDTH 'B' (mm)
≤80 RISING MAIN	SEE NOTE 10.
100	500
150 - 200	600
>200 - 350	750
>350 - 450	900

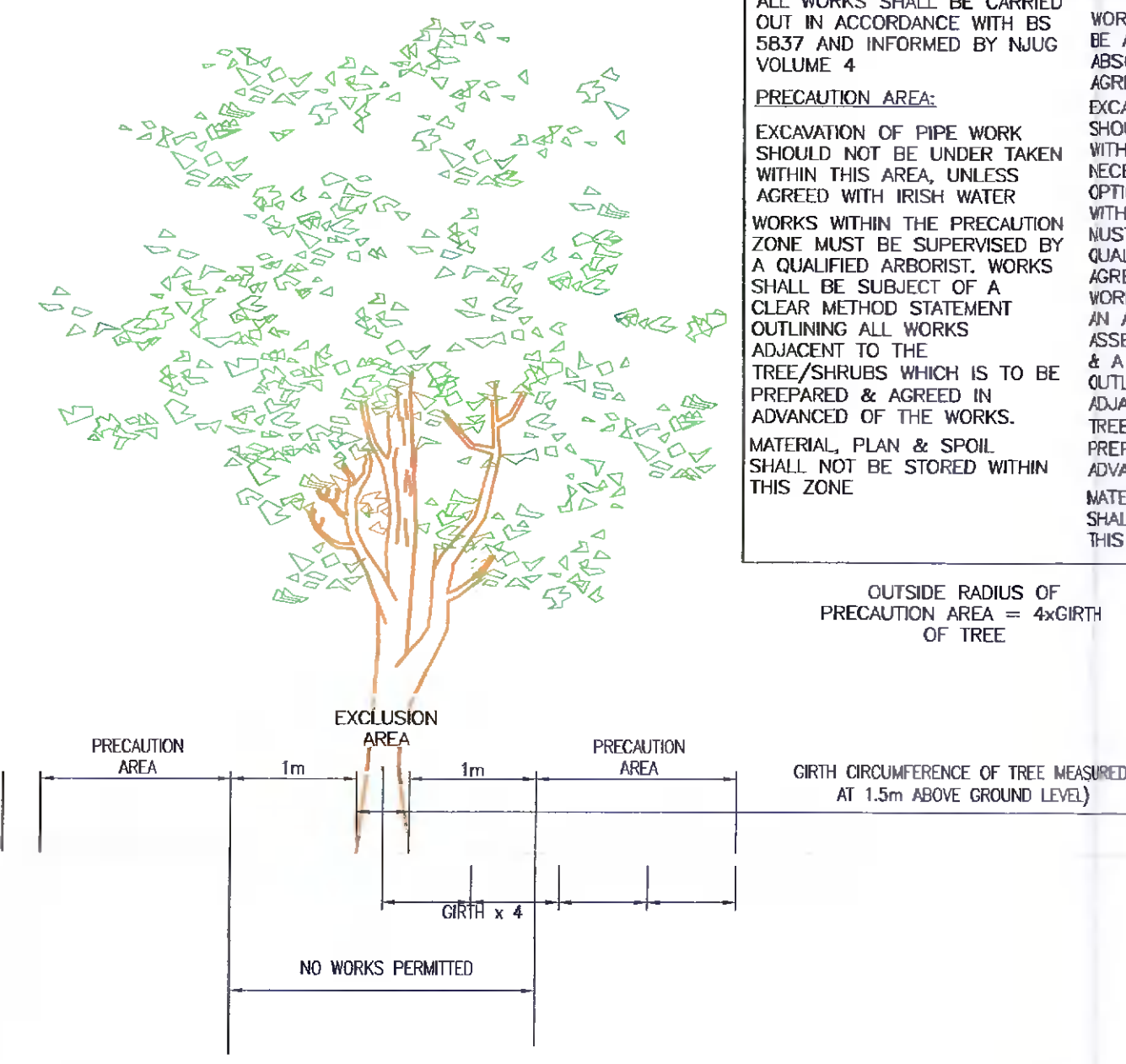
PIPE DIAMETER 'A' (mm)	TRENCH WIDTH 'C' (mm)
≤100	100
150 - 450	200



PRIVATE SIDE INSPECTION CHAMBER



NOTE: ALL FOUL SEWER & WATERMAIN DETAILS TO BE READ IN CONJUNCTION WITH IRISH WATER CODE OF PRACTICE AND STANDARD DETAILS



- NOTES:-
- FIGURED DIMENSIONS ONLY TO BE TAKEN FROM THIS DRAWING. DIMENSIONS TO BE CHECKED ON SITE.
 - THIS DRAWING IS TO BE READ IN CONJUNCTION WITH ALL OTHER ARCHITECTURAL & ENGINEERING DRAWINGS & ALL OTHER RELEVANT DRAWINGS & SPECIFICATIONS
 - ALL LEVELS RELATE TO A DATUM OF 00.00m TAKEN AT EXISTING ENTRANCE WITH EXCEPTION OF THE FOUL SEWER LEVELS WHICH ARE TO MALIN HEAD
- DRAINAGE NOTES:**
- SPICOT SOCKET CONNECTION TO BE USED AT PVC-A/DUCTILE IRON JUNCTIONS.
 - WATERMAIN TO BE MOPE-PE 80. COVER TO WATERMAIN TO BE 900mm.
 - ALL FOUL SEWERS TO BE 150mmØ MIN CONCRETE OR PVC-U. ALL SURFACE WATER SEWERS TO BE 225mmØ MINIMUM CLASS H. ALL CONNECTING SEWERS TO LOCAL AUTHORITY'S DRAINS TO BE 225mmØ.
 - ALL WORKS SHALL BE CARRIED OUT STRICTLY IN ACCORDANCE WITH THE RECOMMENDATIONS & CONDITIONS ISSUED BY LOCAL AUTHORITY
 - THE DEVELOPMENT SHALL BE CONNECTED TO THE PUBLIC SEWER TO THE SATISFACTION OF THE LOCAL AUTHORITY. THE MINIMUM COVER TO ANY SEWER PIPE SHALL BE 1.2m IN ROADS AND 0.9m IN OPEN SPACES AND FOOTPATHS NOT ADJACENT TO CARRIAGEWAYS. WHERE IT IS NOT POSSIBLE TO ACHIEVE THESE MINIMUM COVERS, PIPES SHALL BE BEDDED AND SURROUNDED IN CONCRETE 150mm THICK.
 - ALL MANHOLE COVERS AND FRAMES SHALL BE HEAVY DUTY GRADE A TO BS 497 & TO COMPLY WITH LOCAL AUTHORITY'S REQUIREMENTS
 - THE SEWERS AND MANHOLES SHALL BE LAID AND TESTED IN ACCORDANCE WITH THE LOCAL AUTHORITY'S AND IRISH WATER GUIDELINES SPECIFICATIONS, LAYING, BEDDING AND BACK FILLING OF SEWERS SHALL BE IN ACCORDANCE WITH DFK SPECIFICATIONS & DRAWINGS
 - ALL SERVICES TRENCHES IN ROADS SHALL BE BACK FILLED AND PROPERLY COMPACTED WITH GRANULAR MATERIAL AS PER DFK TYPICAL DETAILS.
 - (a) ALL GULLIES AND MANHOLES LOCATED IN THE PUBLIC ROAD SHALL BE LOCKING TYPE.
 - (b) DOUBLE GULLIES TO BE PROVIDED AT ALL ROAD SAG CURVES AND CUL DE SACS WHERE INDICATED. SEPARATE CONNECTIONS SHALL BE PROVIDED FOR EACH GULLY. NO GULLY SHALL BE MORE THAN 10m FROM A SURFACE WATER CONNECTION.
 - IN ANY INSTANCES WHERE 1200 COVER TO SEWER IS NOT ACHIEVED, THE PIPE SHOULD BE SURROUNDED IN 150mm CONCRETE
 - ANCHOR BLOCKS TO BE POSITIONED AT DEAD ENDS, TEES, BENDS AT EACH SIDE OF HYDRANTS AND VALVES. HYDRANT OUTLETS TO BE 200mm BELOW GROUND LEVEL UNLESS REQUESTED OTHERWISE.

Rev.	Date	Drawn By	Checked By	Revision

Status
PLANNING

Client
TERESA & SEAN BUTLER

Project
HAWTHORNS KILLAKEE LAWNS FIRHOUSE DUBLIN 24

Drg.Title
DRAINAGE & WATERMAIN DETAILS SHEET 2 OF 2

THIS DOCUMENT IS THE PROPERTY OF DOHERTY FINEGAN KELLY CONSULTING ENGINEERS. THIS DOCUMENT IS NOT TO BE USED, REPRODUCED, DISCLOSED OR CIRCULATED IN WHOLE OR IN PART WITHOUT THE PRIOR WRITTEN PERMISSION IN EACH INSTANCE OF DOHERTY FINEGAN KELLY CONSULTING ENGINEERS.
© PROPERTY OF DOHERTY FINEGAN KELLY CONSULTING ENGINEERS

DFK

DOHERTY FINEGAN KELLY
DOHERTY FINEGAN KELLY
CONSULTING CIVIL & STRUCTURAL ENGINEERS
Botanic Court, 30 Botanic Road,
Glasnevin, Dublin D09 W2V9.

Tel:(01) 8301852 Fax:(01) 8602265
E-Mail mailroom@dfk.ie

Drawn By	BS	Scale	1:100
Checked By	SG	Date	09/09/21
Drg.No.	21175-03	Rev.	-