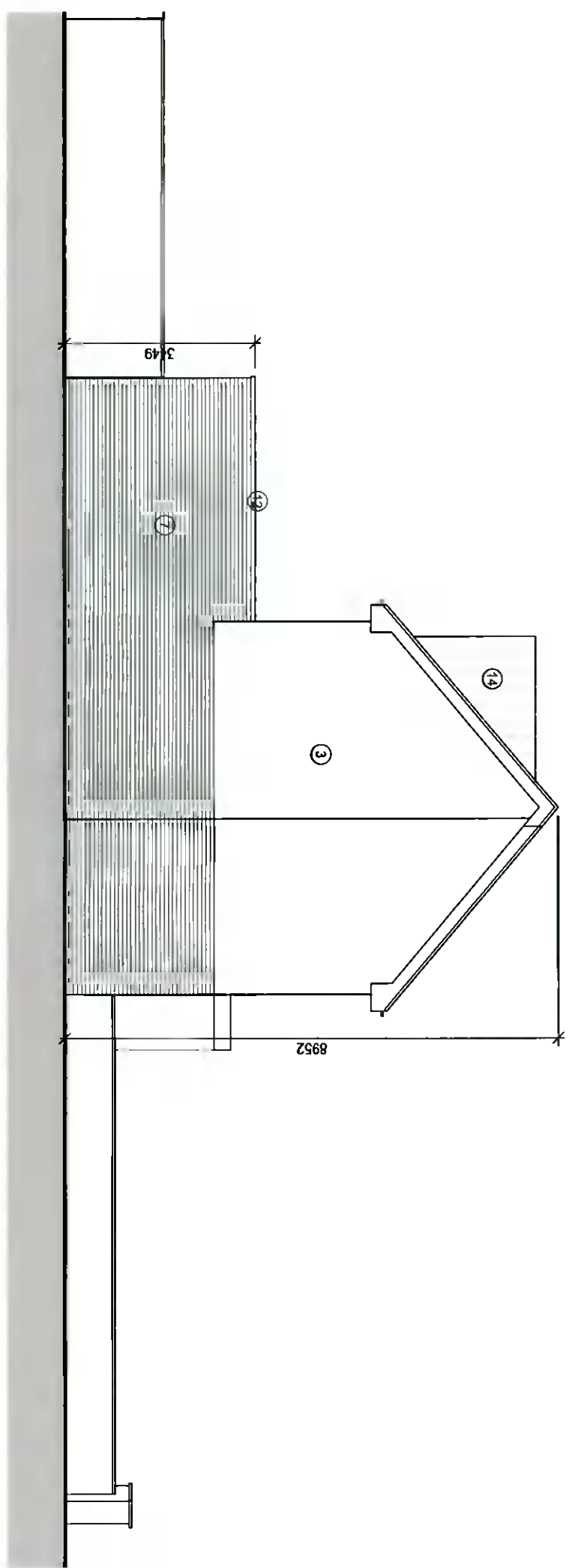


SOUTHEAST ELEVATION



WEST ELEVATION - HOUSE 1

- LEGEND**
1. Concrete roof tiles
 2. uPVC Soffit & Fascia
 3. Nap render finish
 4. Reconstituted stone cills cills
 5. uPVC rainwater goods
 6. Double glazed uPVC windows
 7. Selected brick finish
 8. Reconstituted stone window and door surround
 9. Composite timber door
 10. Aluclad patio sliding doors
 11. Rooflights
 12. Concrete capping
 13. Opaque glazed window
 14. Zinc cladding
 15. Water Butt

ISSUED FOR PLANNING APPLICATION ONLY

DO NOT SCALE FROM THIS DRAWING. WORK ONLY FROM FIGURED DIMENSIONS. ALL ERRORS AND OMISSIONS TO BE REPORTED TO THE ARCHITECT. THIS DRAWING TO BE READ IN CONJUNCTION WITH RELEVANT CONSULTANT'S DRAWINGS.		APPLICANT Teresa & Sean Butler	
STATUS KEY	SUR - SURVEY SKE - SKETCH DESIGN FSC - FIRE SAFETY CERT	PLA - PLANNING APPLICATION CON - CONSTRUCTION TEN - TENDER	PROJECT Two New Dwellings
THIS DRAWING IS AN INDICATIVE LAYOUT - TO BE USED FOR INFORMATION ONLY - NOT FOR CONSTRUCTION		DATE	SITE Hawthorn, Kilkee Lawns, Frithouse, Dublin 24
Issued for Planning Application only		DATE	SCALE 1:100
ORIG/CHK	LK BB	DATE	SHEET A3
		DATE	DRAWING NO. 21008-PLA-07
		ISSUE	