

2 DUB-1 SITE PLAN - FENCING PLAN
SCALE: 1:100

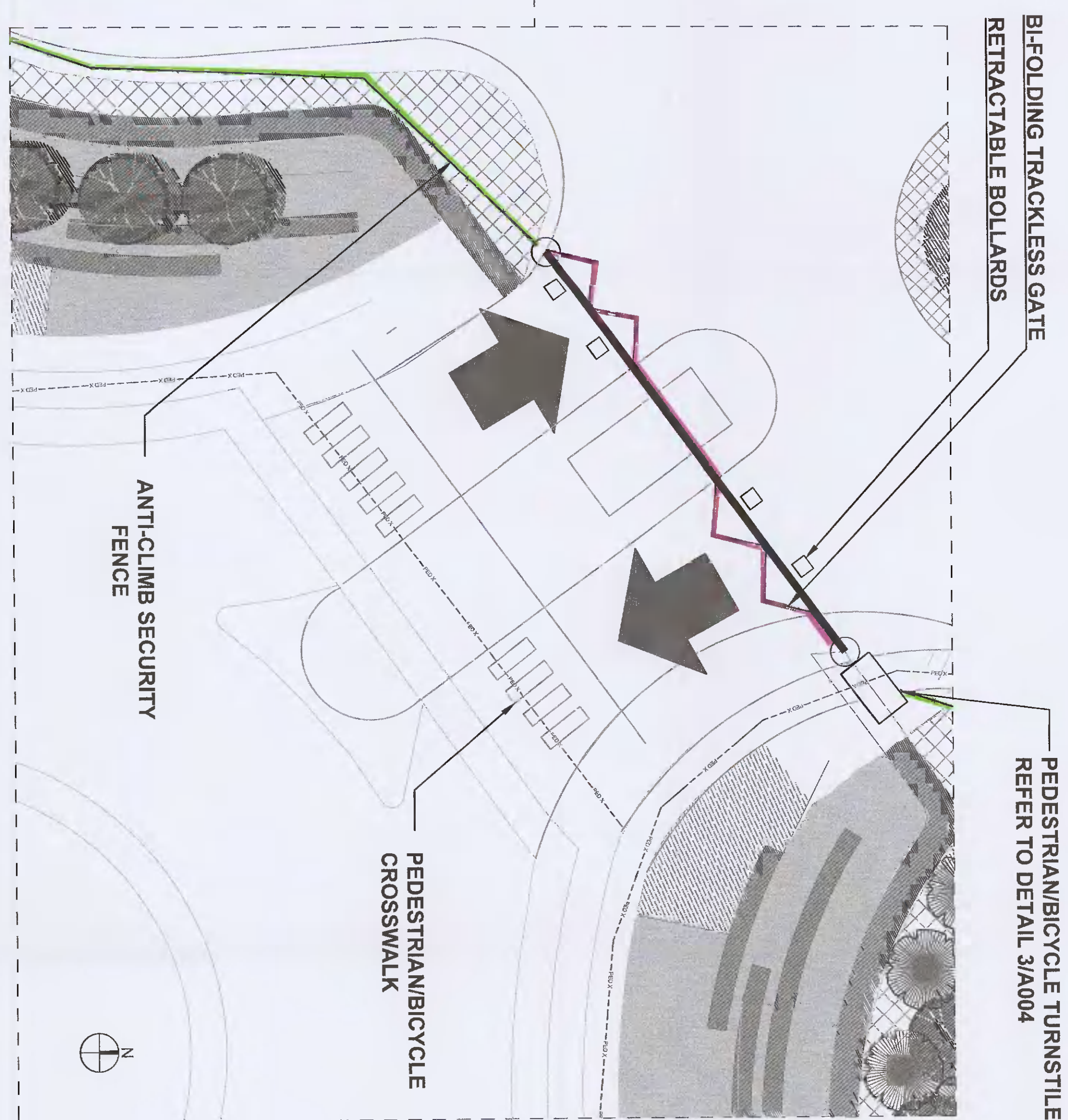
WIREWORKS MESH INFILL



BI-FOLDING TRACKLESS GATE

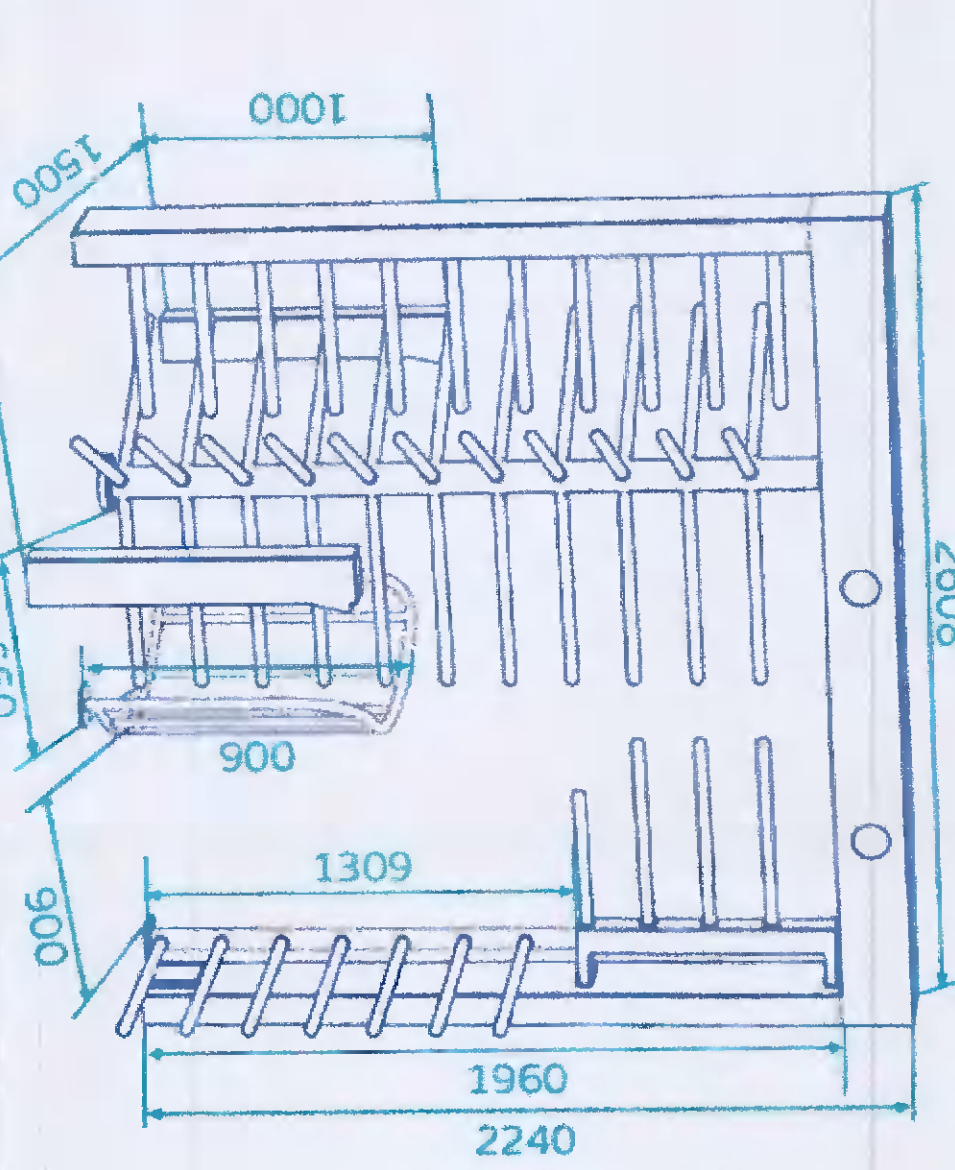
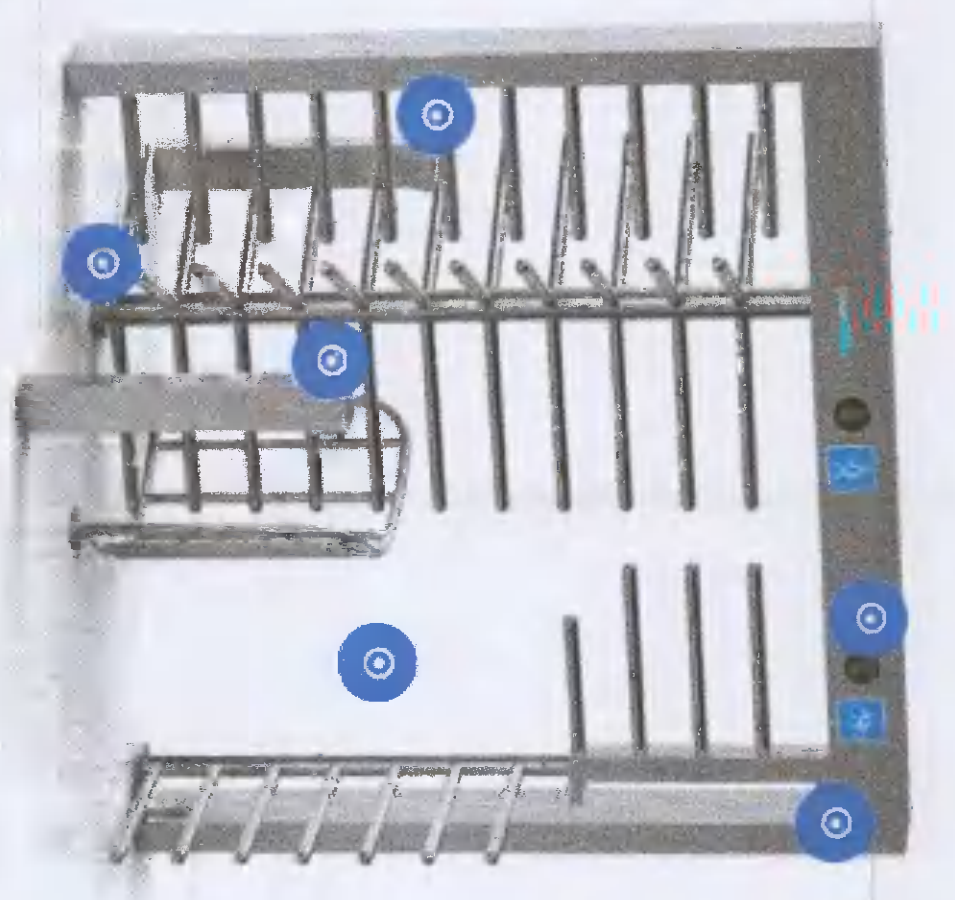


ANTI-CLIMB SECURITY FENCE



2 MAIN ENTRY GATE @ 1:100
SCALE: 1:100

3 PEDESTRIAN/BICYCLE TURNSTILE
SCALE: NTS



- NEW PROPOSED ROUTE FOR STREAM
- SITE BOUNDARY LINE
- SECURITY FENCE LINE
- PEDESTRIAN/BICYCLE ROUTE
- EXISTING STREAM TO BE DEMOLISHED
- WIREWORKS MESH INFILL
HEIGHT OF FENCE - 2,400 m
- BI-FOLDING TRACKLESS GATE
HEIGHT OF GATE - 2,400 m
- ANTI-CLIMB SECURITY FENCE
HEIGHT OF FENCE - 2,400 m

| | |
|--------------|----------------------------------|
| Client | Profile Park, Dublin 22, Ireland |
| Project Name | Architectural Fencing Plan |
| Project No. | A007 |
| Date | 08/10/21 |
| Scale | As shown |
| Author | J.M. |
| Check | J.B. |
| Drawn | J.C. |
| Scale | As shown |

| | |
|---|---|
| VANTAGE ARCHITECTURAL 2000, 2001, 2002, 2003, 2004, 2005, 2006, 2007, 2008, 2009, 2010, 2011, 2012, 2013, 2014, 2015, 2016, 2017, 2018, 2019, 2020, 2021 | BURNS MEDONNELL ARCHITECTURAL 2000, 2001, 2002, 2003, 2004, 2005, 2006, 2007, 2008, 2009, 2010, 2011, 2012, 2013, 2014, 2015, 2016, 2017, 2018, 2019, 2020, 2021 |
|---|---|

| | |
|--|--|
| Hyphen ARCHITECTURAL 2000, 2001, 2002, 2003, 2004, 2005, 2006, 2007, 2008, 2009, 2010, 2011, 2012, 2013, 2014, 2015, 2016, 2017, 2018, 2019, 2020, 2021 | Hyphen ARCHITECTURAL 2000, 2001, 2002, 2003, 2004, 2005, 2006, 2007, 2008, 2009, 2010, 2011, 2012, 2013, 2014, 2015, 2016, 2017, 2018, 2019, 2020, 2021 |
|--|--|

PLANNING SUBMITTAL
NOT FOR
CONSTRUCTION