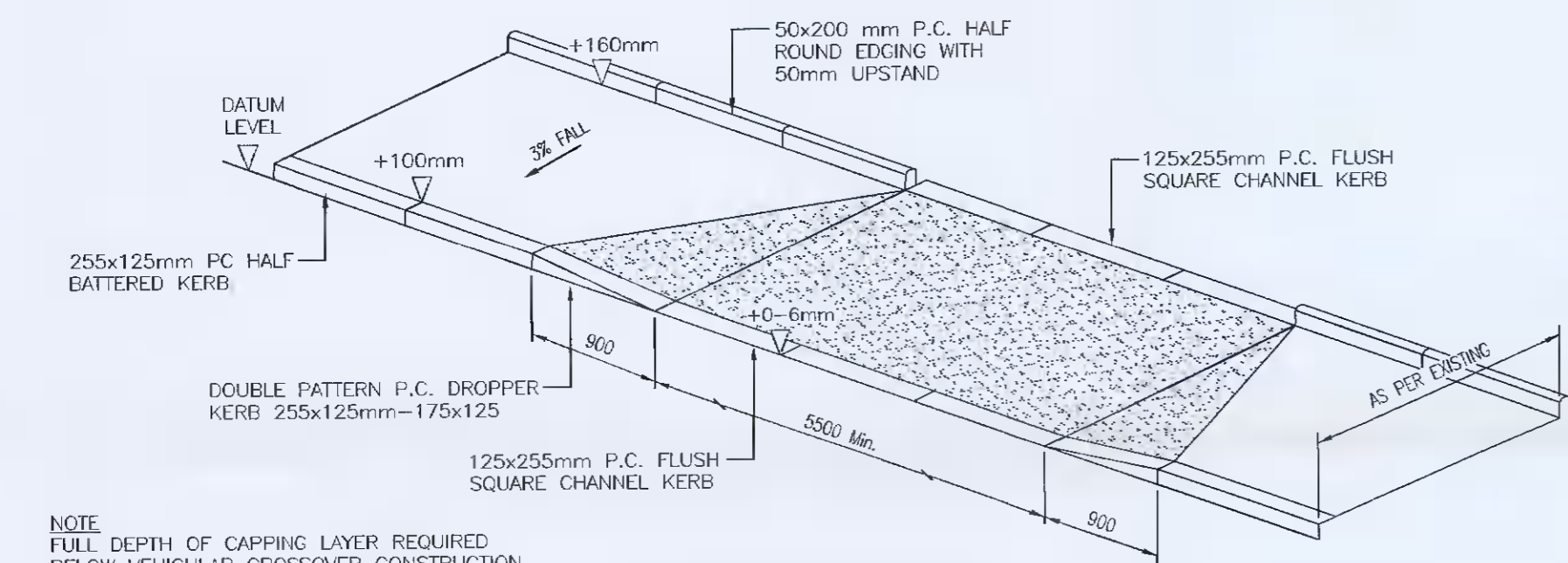
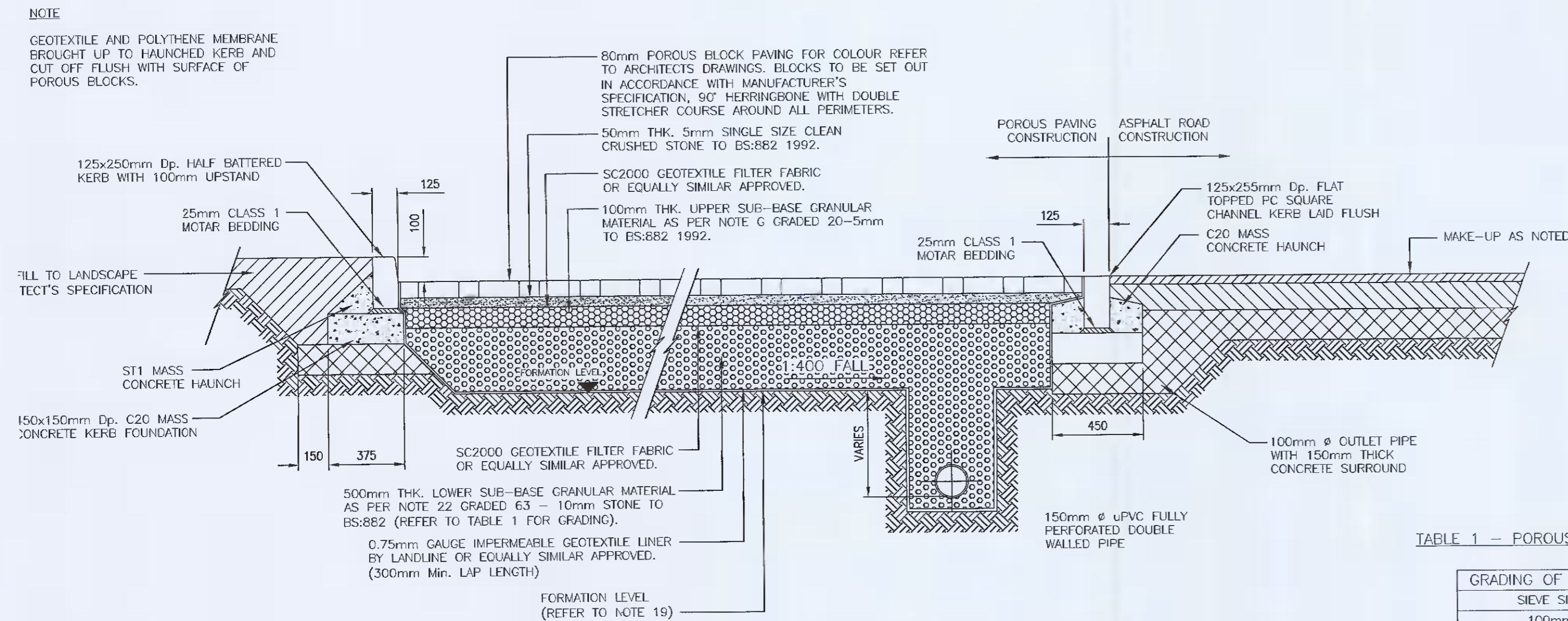


**TYPICAL RESIDENTIAL RAIN GARDEN DETAIL**  
SCALE (1:20)

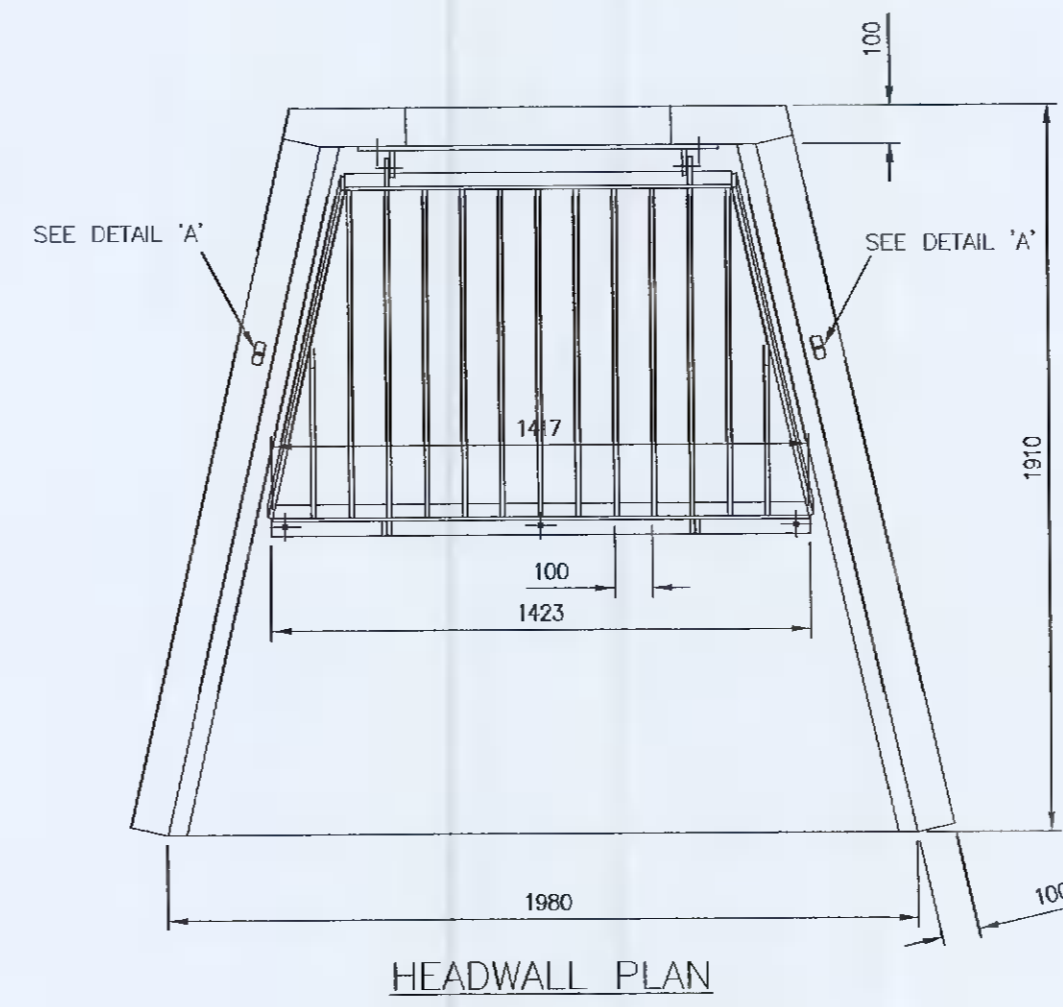


**VEHICULAR DROP KERB CROSSING DETAIL**  
(1:50)

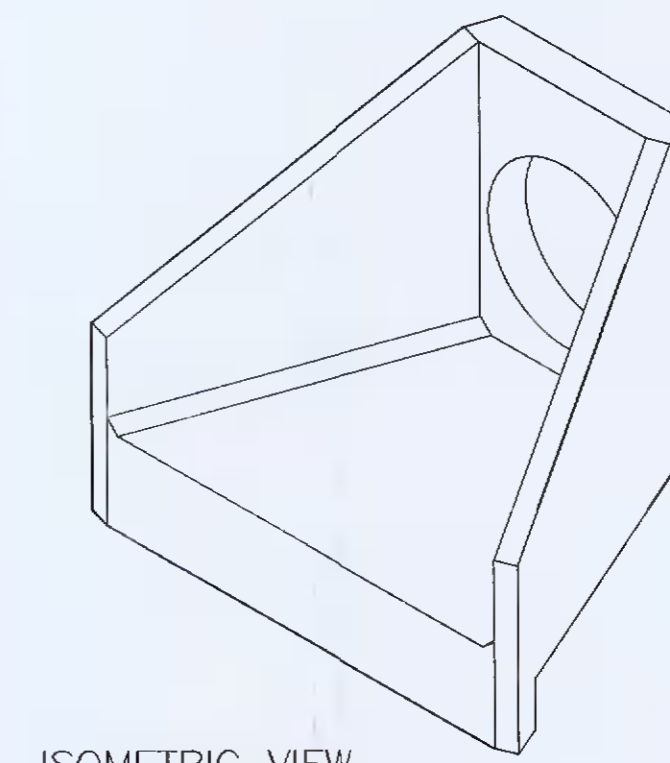


**TYPICAL PRIVATE POROUS PAVING CONSTRUCTION**  
(scale 1:20)

0.75mm GAUGE IMPERMEABLE GEOTEXTILE LINER BY LANDLINE OR EQUALLY SIMILAR APPROVED. (300mm Min. LAP LENGTH)



**HEADWALL PLAN**



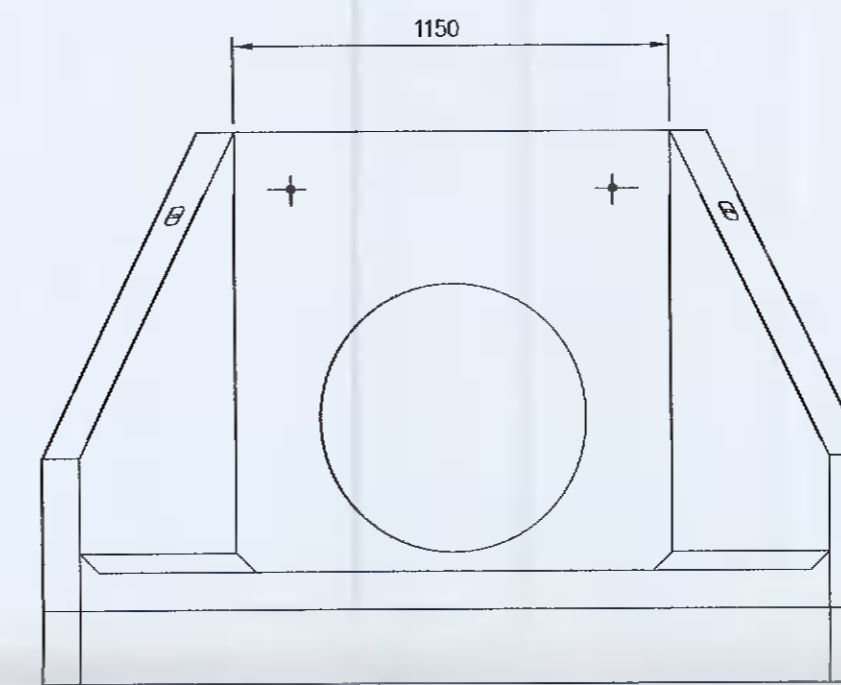
**ISOMETRIC VIEW**



**LIFTING RING CLUTCH**

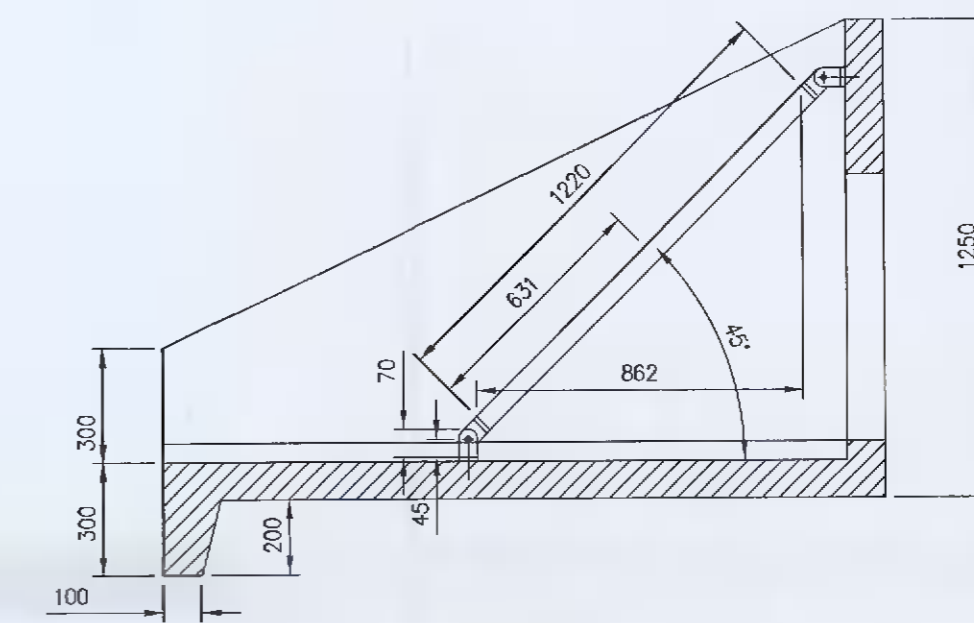


**'CAST IN' UNIVERSAL ANCHOR POINT**



**FRONT ELEVATION WITH GRATING REMOVED**

**HEADWALL ELEVATION**



**HEADWALL SECTION**

**TYPICAL HEADWALL DETAIL**  
(SCALE 1:20)

**GENERAL POROUS PAVING NOTES**

19 SUB-BASE TO BE GRADED @ 1:400 TOWARDS DRAIN LOCATION (REFER TO DRAINAGE PLAN FOR LOCATION).

20 MAINTENANCE:- THE SURFACE OF THE BLOCKS SHOULD BE BRUSHED TWICE A YEAR WITH A MECHANICAL SUCTION BRUSH. IT IS RECOMMEND THAT THIS SHOULD BE CARRIED OUT IN THE SPRING & AFTER LEAF FALL IN THE AUTUMN.

21 NO SERVICES, GAS, WATER, ELECTRICAL ETC. TO BE INSTALLED UNDER AREAS OF POROUS PAVING UNLESS AGREED WITH THE ENGINEER.

22 THE GRANULAR SUB-BASE MATERIAL SHALL COMPRISE OF CRUSHED GRAVEL, ROCK OR CONCRETE POSSESSING WELL DEFINED EDGES, IT MUST BE SOUND, CLEAN, NON FRAGILE & FREE FROM CLAY OR OTHER DELETERIOUS MATTER. THE MATERIAL MUST BE NON PLASTIC WHEN TESTED IN ACCORDANCE WITH BS.1377 TEST No.4 THE MATERIAL MUST HAVE A MINIMUM 10% FINES VALUE OF 150µm WHEN TESTED IN ACCORDANCE WITH BS:812 PART 3. THE SELECTED TEST SAMPLES SHALL NOT BE OVEN DRIED AND SHOULD BE SOAKED IN WATER AT ROOM TEMPERATURE FOR 48 HOURS BEFORE THE TEST.

**TABLE 1 -- POROUS PAVING LOWER SUB-BASE GRADING**

SIEVE SIZE	% PASSING
100mm	100
63mm	90-100
37.5mm	60-80
20mm	15-30
10mm	0-5

Rev.	By	App'd	Date
Client	Taylors Lane, Rathfarnham Dublin		
Development:			
Drawing Title:			
Construction Details Sheet 2 of 3			
Scale of A1 As Shown	Date JULY 2021	Drawn DT	Approved GRF
<p><b>Cowal Design Consultants</b> Civil &amp; Structural Engineering • Development Services</p>			
Dunoon 01369 707 692		Glasgow 0141 406 1688	
London 020 3856 8144		Oban 01631 571 280	
WEB - www.cowaldesign.co.uk			
Email - info@cowaldesign.co.uk			
Copyright, Designs and Patents Act 1988 This drawing must not be reproduced without the permission of Cowal Design Consultants Ltd.			
Status	For Approval		
Drawing No.	J3406-C-05	Rev.	-